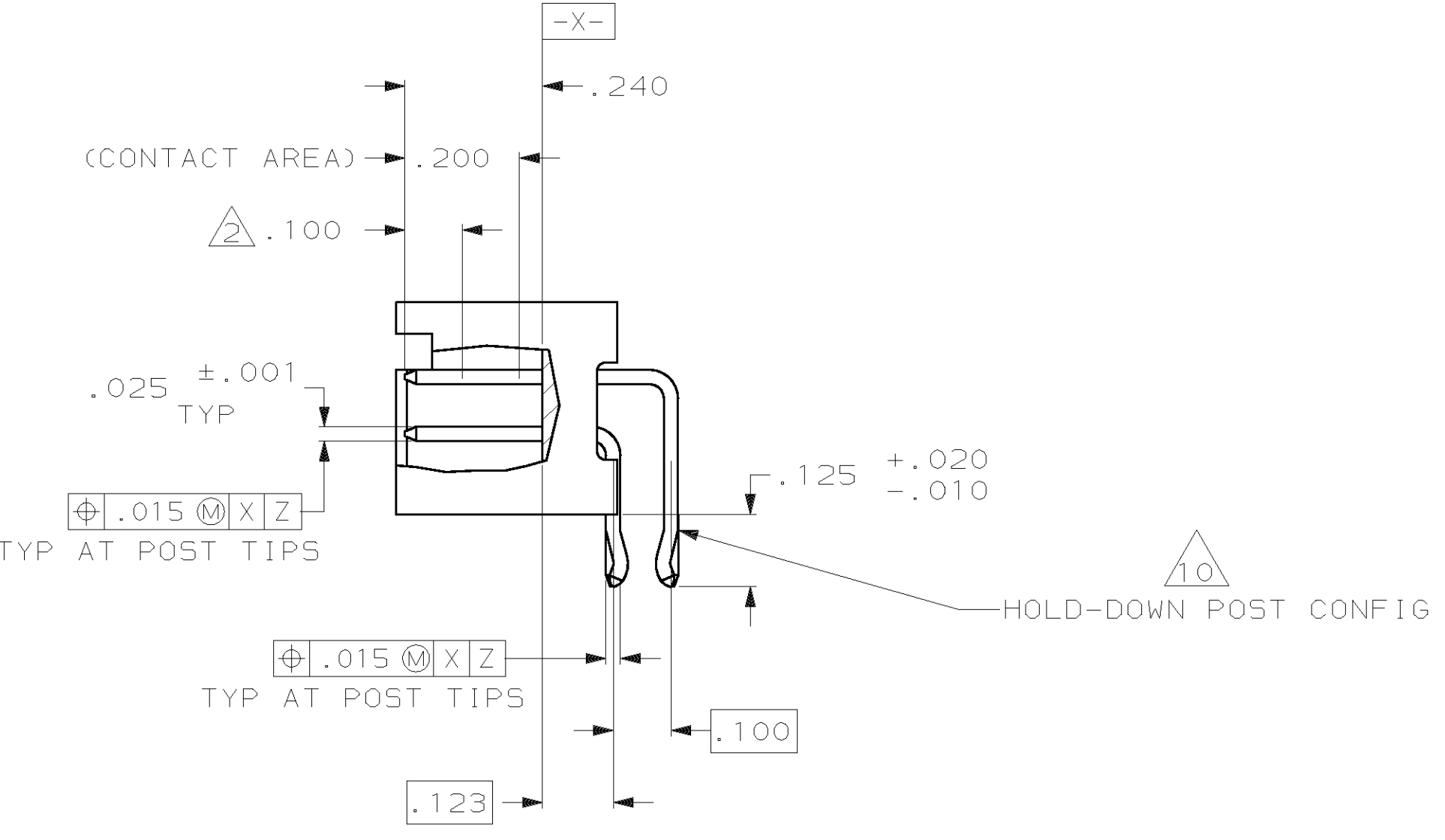
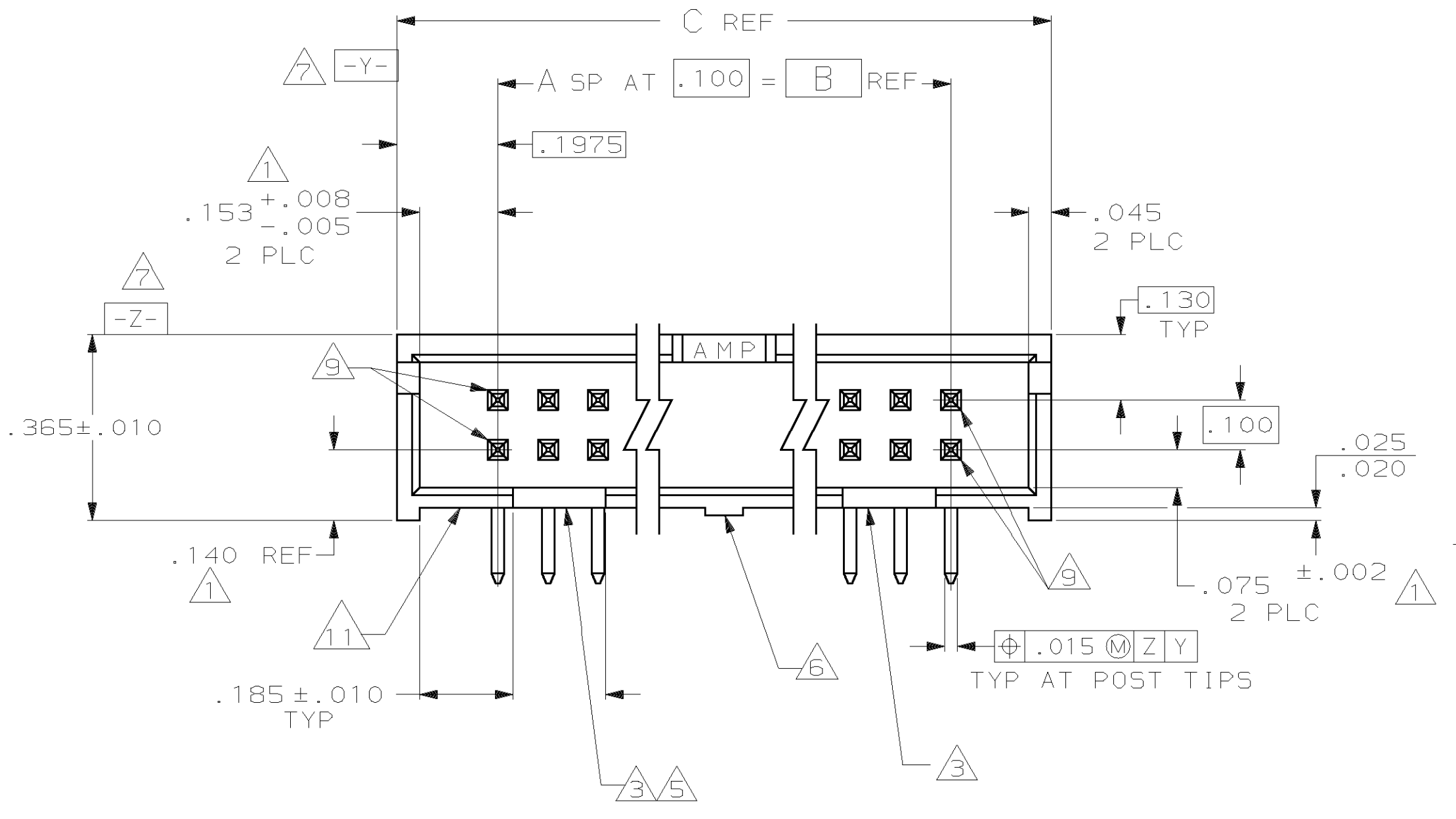
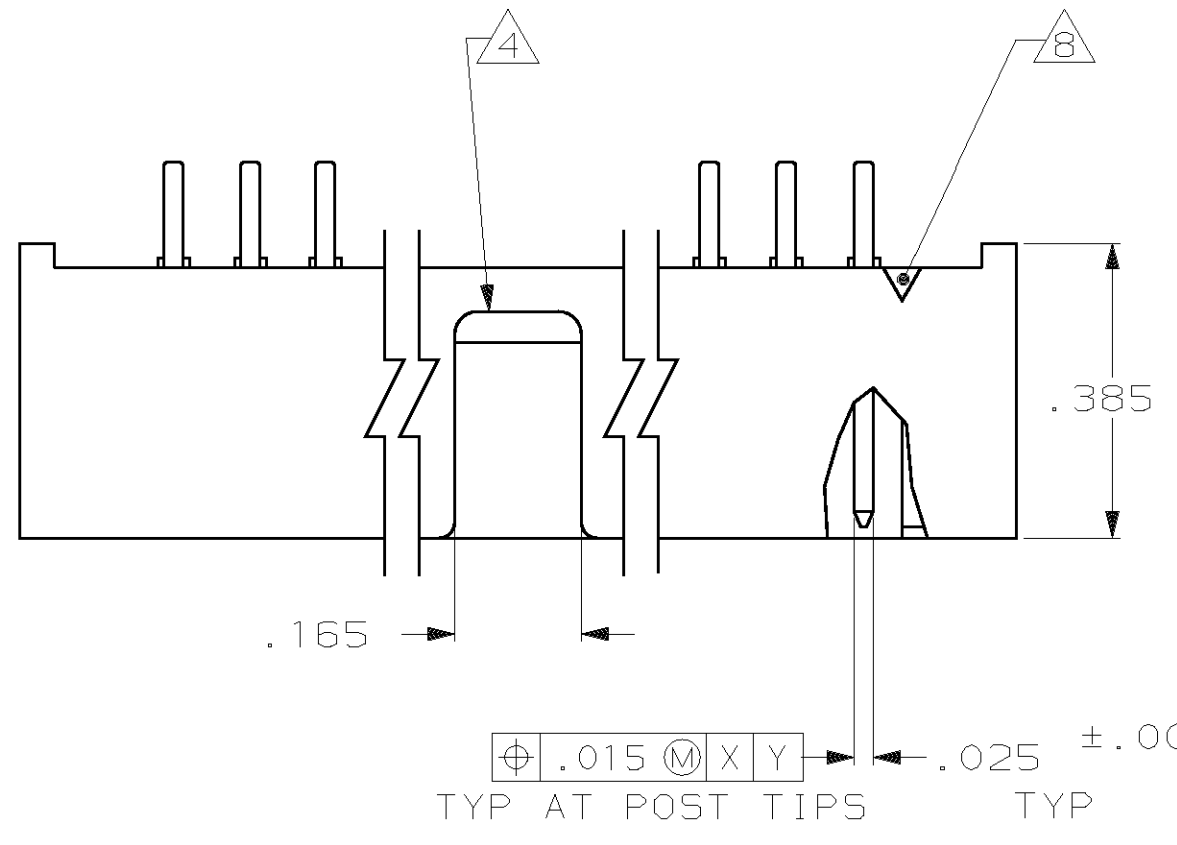
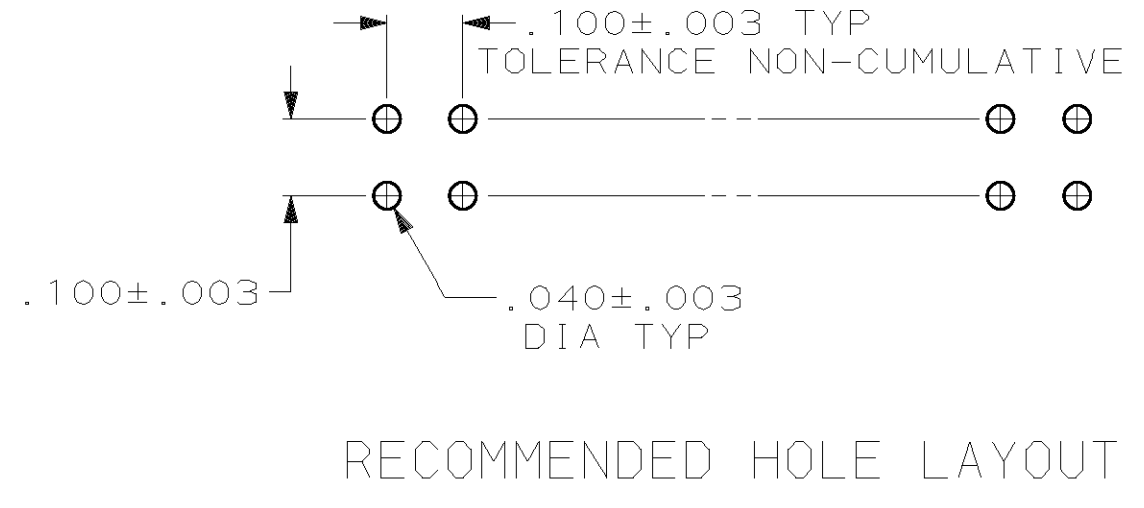


| LOC | DIST | P | F | ZONE | LTR | DESCRIPTION | DATE | APPD |
|-----|------|---|---|------|-----|--|-----------|------|
| | 35 | | | | E | REV PER ECN BD6866 | 02/15/93 | RK |
| | | | | | F | OBS -2, -3, -6, -9 & 1-0 PER EC 0020-942-93 | 03/13/94 | RK |
| | | | | | G | REACTIVATED -9 PER EC 0020-591-94 | 06/02/94 | RK |
| | | | | | H | REACTIVATED -2 PER EC 0020-772-94 | 07/13/94 | RK |
| | | | | | J | REV PER EC 0020-857-95 | 08 DEC 95 | RK |
| | | | | | K | REV PER EC 0410-43-97 | 02 JUN 97 | JGH |
| | | | | | L | OBSOLETE -5, -7 PER EC 0410-202-96 | 29 JUL 97 | JGH |
| | | | | | M | REV PER EC 0410-56-97 | 06 OCT 97 | JGH |
| | | | | | N | REACTIVATED -3 PER EC 0652-38-98 | 05 MAY 98 | KF |
| | | | | | P | REACTIVATED -5, -6, -7 PER EC 051A-0106-00 | 10 APR 00 | SLB |



- 1 THE NOTED DIMENSIONS APPLY AT THE INTERSECTION OF THE POST AND HOUSING
- 2 POINT OF MEASUREMENT FOR PLATING THICKNESS
- 3 DOUBLE BAR POLARIZATION
- 4 CENTER POLARIZATION SLOT
- 5 FOR 10 POSN ASSEMBLY, SLOT OMITTED WHERE INDICATED
- 6 CENTER STANDOFF RIB(S) ARE OPTIONAL.
- 7 DATUMS -Y- AND -Z- APPLY AT THE BASE OF THE SHROUD WALL.
- 8 NUMBER 1 POSITION INDICATOR.
- 9 LOCATION OF HOLD-DOWN POSTS (4 PLACES).
- 10 THE RETENTIVE FEATURE ON THIS CONNECTOR WAS DESIGNED TO BE USED FULLY SEATED IN A CIRCUIT BOARD HAVING A THICKNESS OF .062±.007 FOR CONNECTORS HAVING RETENTIVE FEATURES DESIGNED FOR USE IN CIRCUIT BOARDS OF OTHER THICKNESSES CONTACT AMP INCORPORATED.
- 11 OPTIONAL AMP IDENTIFICATION NUMBER (DATE CODE). LOCATION APPROXIMATELY WHERE SHOWN.

| OBSOLETE | C | B | A | NO OF POSN | ASSEMBLY PART NUMBER |
|----------|-------|-------|----|------------|----------------------|
| | 3.300 | 2.900 | 29 | 60 | 1-104340-0 |
| | 2.800 | 2.400 | 24 | 50 | 104340-9 |
| | 2.300 | 1.900 | 19 | 40 | 104340-8 |
| | 2.000 | 1.600 | 16 | 34 | 104340-7 |
| | 1.600 | 1.200 | 12 | 26 | 104340-6 |
| | 1.500 | 1.100 | 11 | 24 | 104340-5 |
| | 1.300 | .900 | 9 | 20 | 104340-4 |
| | 1.100 | .700 | 7 | 16 | 104340-3 |
| | 1.000 | .600 | 6 | 14 | 104340-2 |
| | .800 | .400 | 4 | 10 | 104340-1 |

| | | | | |
|--|--------------------|---------------------------|--|------------------|
| UNLESS OTHERWISE SPECIFIED DIMENSIONS ARE IN INCHES TOLERANCES ON: | | DR 1-28-88 H MOLL | AMP INCORPORATED Harrisburg, Pa. 17105 | |
| 2 PL DEC ±.005 3 PL DEC ±.005 ANGLES ±. | | CHK 2-2-88 T CLARK | | |
| MATERIAL: HOUSING, POLYESTER OR NYLON | POSTS, PHOS BRONZE | APPD 2-2-88 T CLARK | NAME HEADER ASSY, LOW PROFILE, HIGH TEMP, AMP-LATCH™ | |
| FINISH: POSTS: .000015 GOLD IN CONTACT AREA, .000100-.000200 TIN-LEAD ON SOLDER TAIL, ALL OVER .000050 NICKEL | | PRODUCT SPEC 108-4001B | SIZE D | FSCM NO 00779 |
| | | APPLICATION SPEC - | DRAWING NO 104340 | |
| | | WEIGHT - | SCALE 4:1 | SHEET 1 OF 1 |