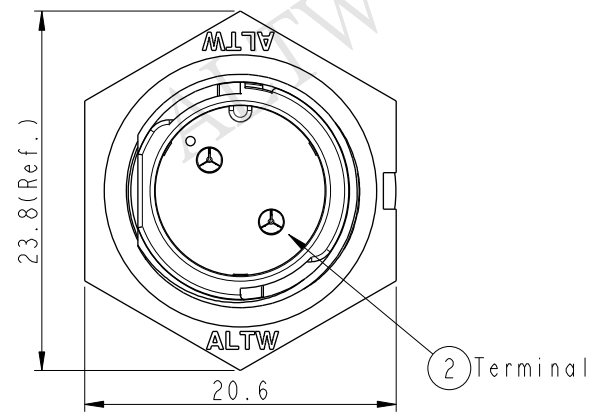
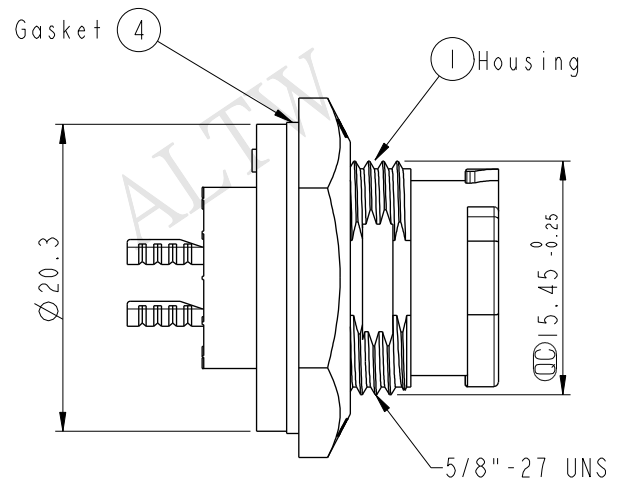
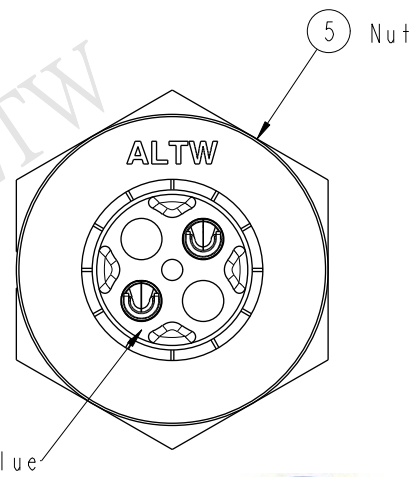
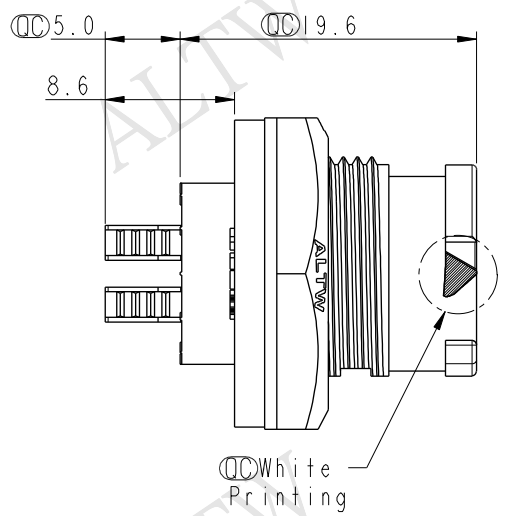


REV.	ECN NO.	DATE	SIGN	DESCRIPTION

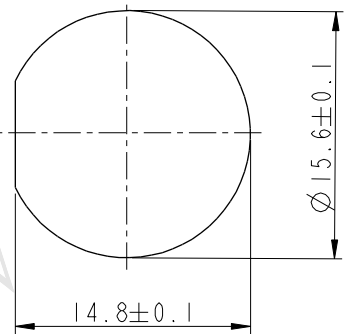
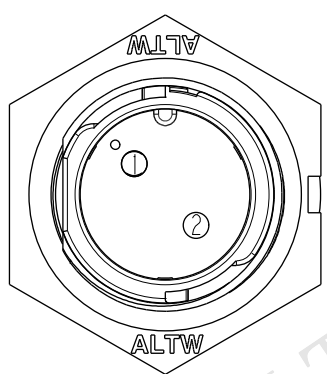
ALTW  
CONFIDENTIAL  
2014-09-12  
R&D DEPT.



ALTW  
DCC. DEPT.  
CONFIDENTIAL  
2014.11.26  
ISSUED



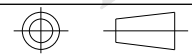
- Note:
- \*  $\varnothing$  Important Dimension To Check.
  - \* Waterproof Rate: IP68
  - \* Working Voltage Rating: AC 300 V
  - \* Working Current Rating: 10A
  - \* Flame Class: UL94V-0 (UV Resistance)
  - \* Housing: Nylon+GF, Black
  - \* Male Pin: Copper Alloy, Gold Plated
  - \* Nut: Nylon+GF, Black
  - \* Gasket: Silicone, Gary
  - \* Use Without Waterproof Cap  
Panel Thickness Max: 4.0mm
  - \* Use With Waterproof Cap  
Panel Thickness Max: 3.0mm



Pin Assignments  
Front View

Recommended Panel Cut-out

UNIT:mm  
TOLERANCE  
.X ±0.25



TITLE X Lok B-Size Receptacle Front Fastened M Conn M 2 Pin			
SCALE 2:1	SIZE A4	SHEET 1 OF 1	
REV. A	WC-REV. A.2	$\varnothing$ : Inspection item	

**Amphenol LTW**  
安費諾亮泰企業股份有限公司

ITEM NO BB-02PMMS-OC8001	DRAWN BY Micky	DATE 2014-09-12
DWG NO BB-02PMMS-OC8001	CHECKED BY Spring	DATE 2014-09-12
CUSTOMER ALTW	APPROVED BY Kevin	DATE 2014-09-12

THIS DOCUMENT IS SUBJECT TO CHANGE WITHOUT NOTICE. IT IS CONFIDENTIAL AND A PROPERTY OF AMPHENOL LTW. DISCLOSURE TO THIRD PARTY HAS TO BE AUTHORIZED BY AMPHENOL LTW.