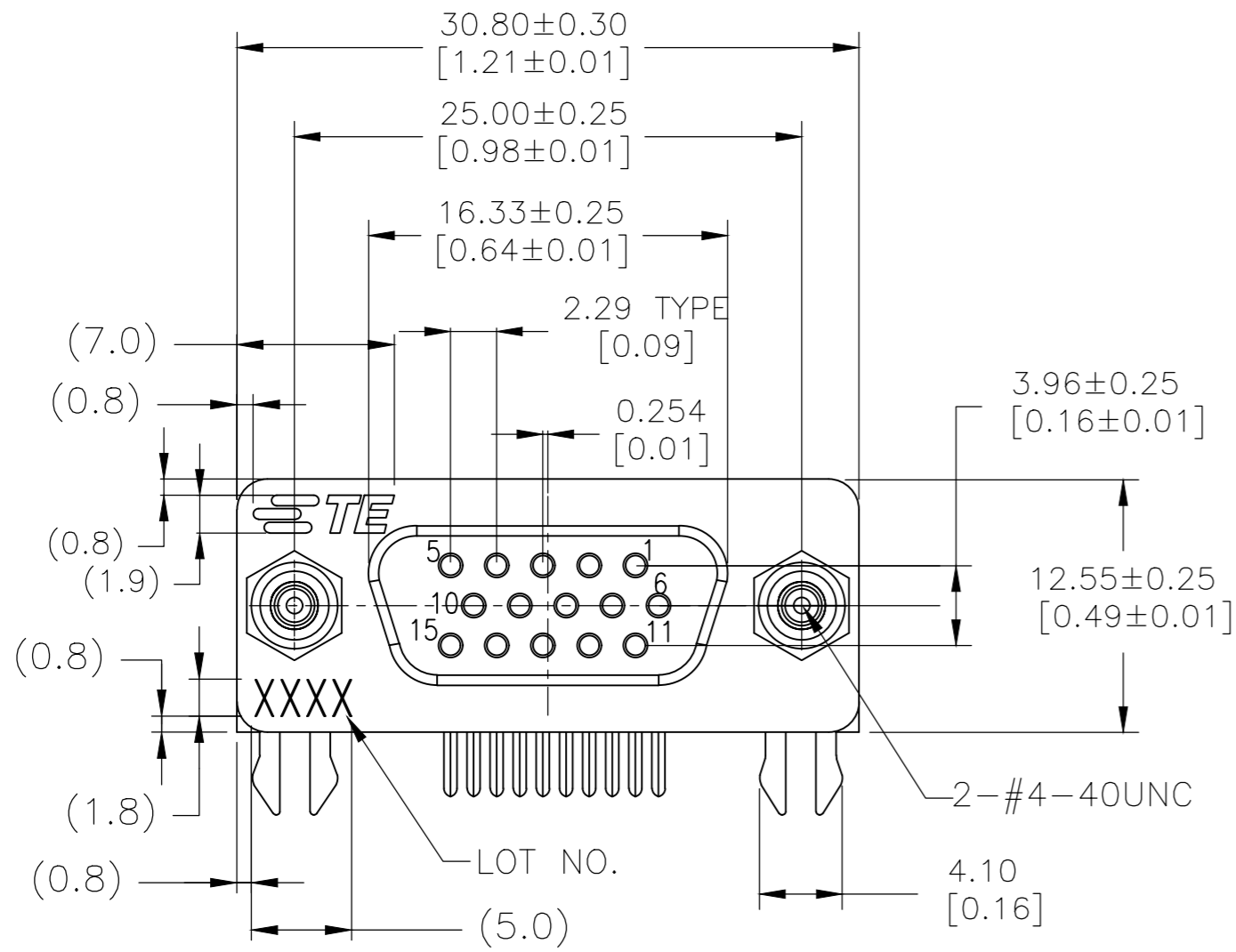
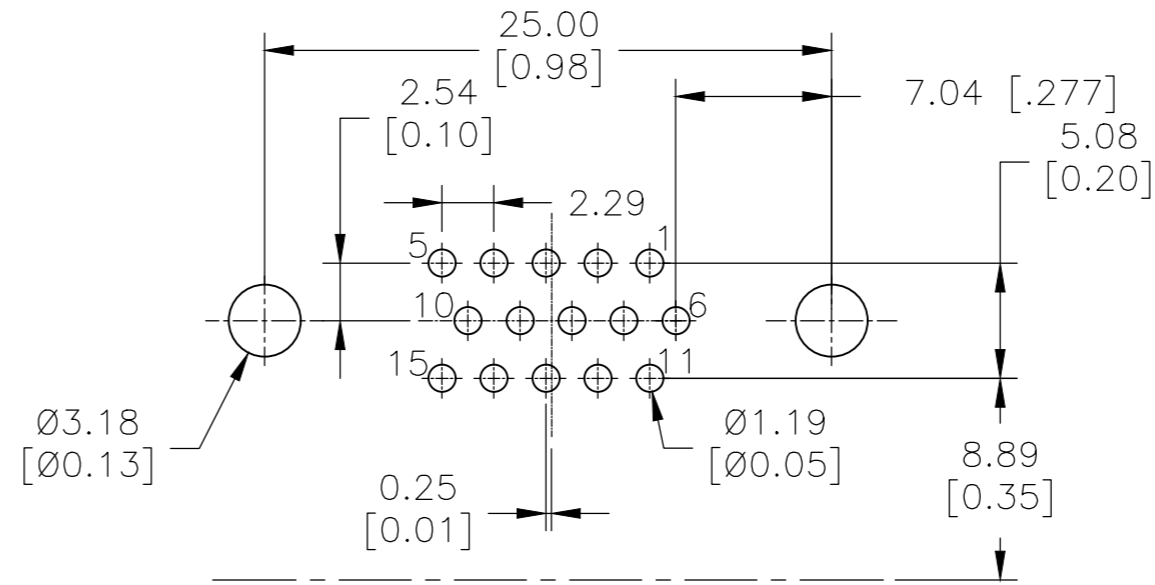


THIS DRAWING IS UNPUBLISHED. RELEASED FOR PUBLICATION
 © COPYRIGHT - TE Connectivity ALL RIGHTS RESERVED.

REVISIONS				
P	LTR	DESCRIPTION	DATE	APVD
D		REVISED PER ECO-18-008015	24MAY2018	AP DG



RECOMMENDED P.C.B LAYOUT(TOP SIDE)
 (PCB BOARD TOLERANCE±0.05)

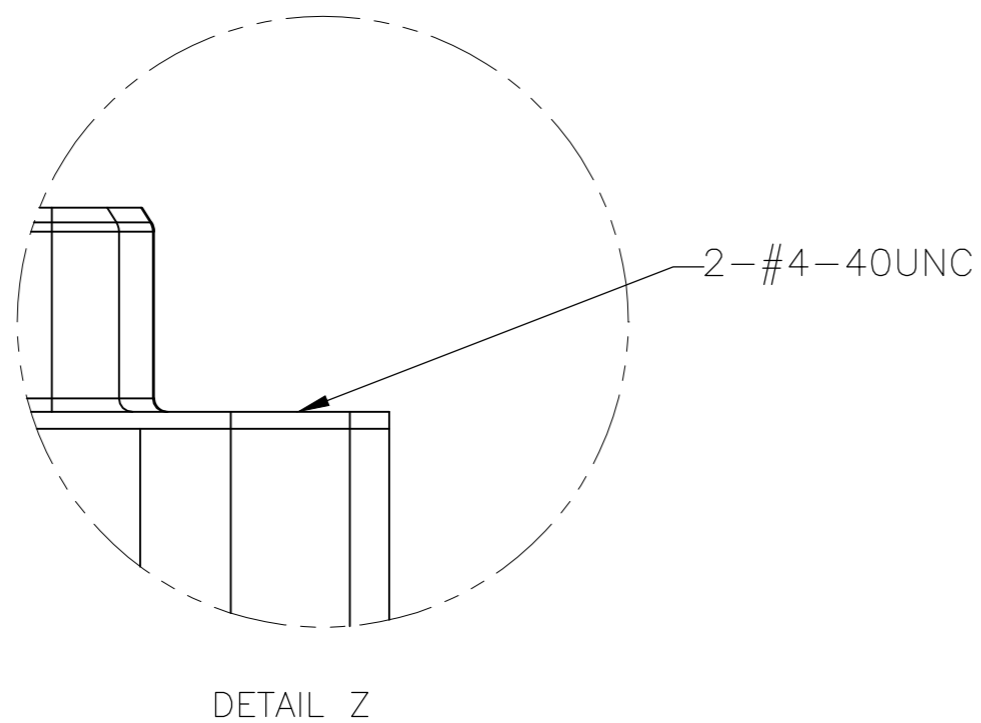
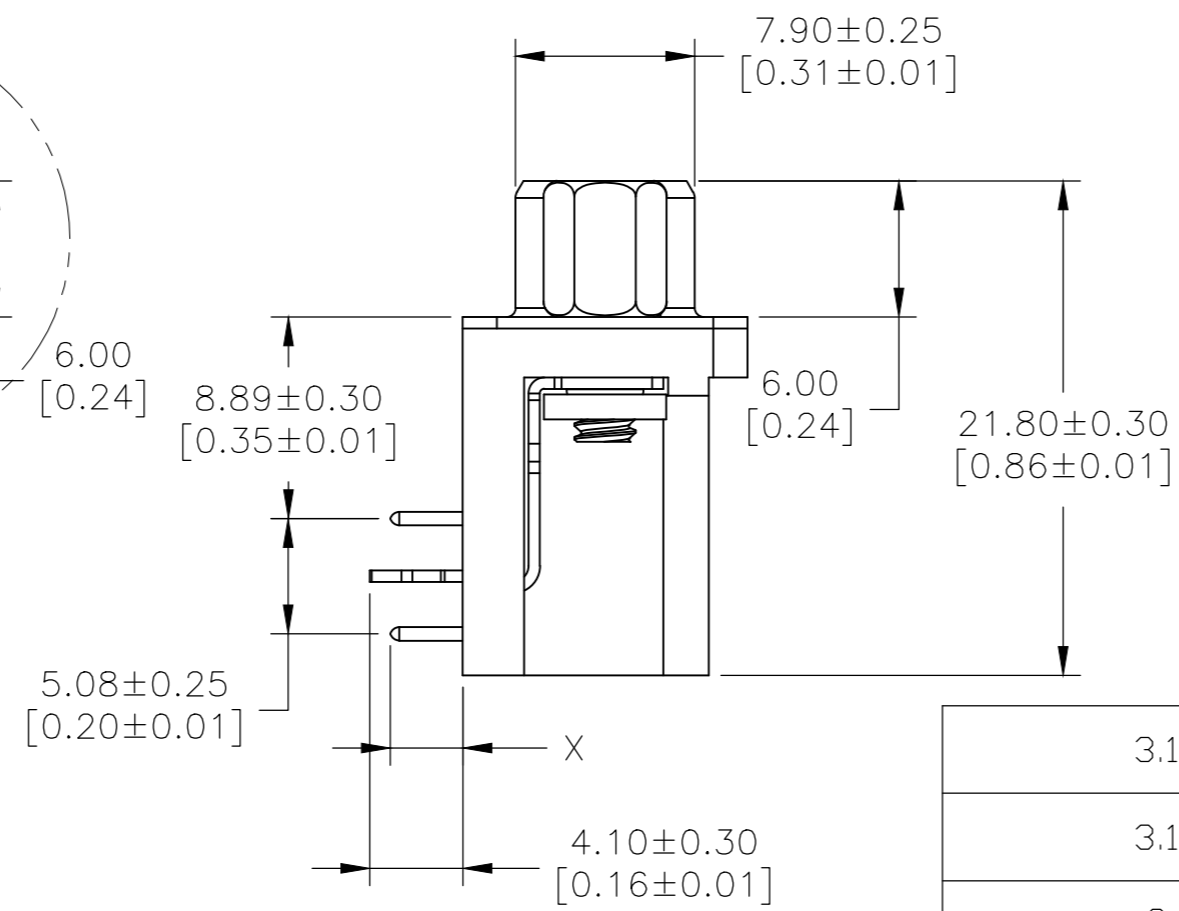
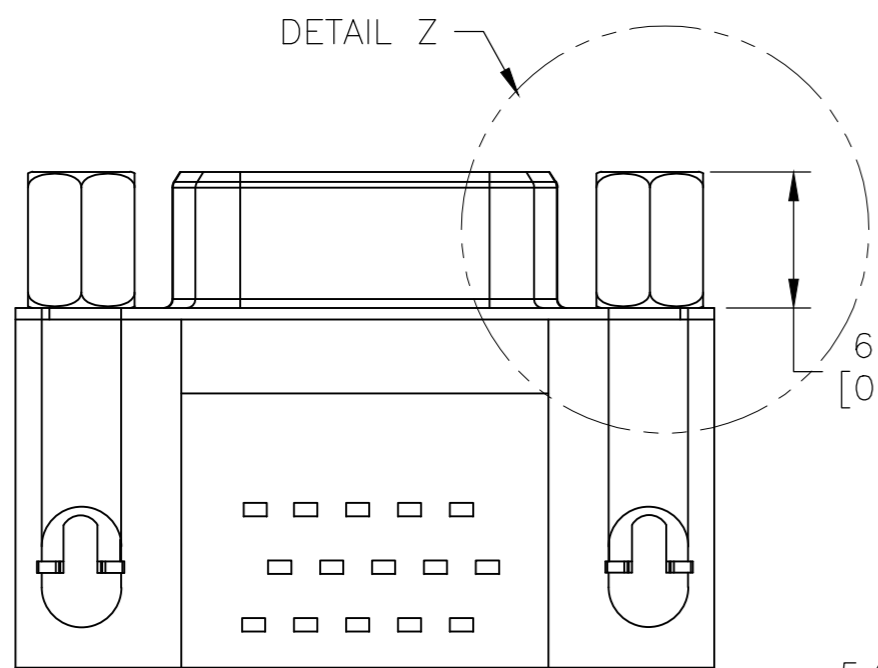


NOTES:

INSULATOR:PA9T+G.F UL94V-0
 CONTACT:PHOSPHOR BRONZE
 " GOLD PLATING ON CONTACT AREA
 100u" MATTE TIN PLATING ON SOLDERTAIL
 50u" NICKEL UNDERPLATED OVERALL
 HOLDDOWN:BRASS,100u" TIN OVER 50u" NICKEL
 SHEEL:SPCC,50u" NICKEL PLATING OVERALL
 RIVET:BRASS,NICKEL PLATING OVERALL
 SCREWLOCK:BRASS,NI PLATED

LOT NUMBER "XXXX"

STANDS FOR CALENDAR YEAR
 STANDS FOR WEEK NUMBER



3.18 [0.13]	300U BLUE	NO SEE DETAIL Z	30µ" Au	2311586-5
3.18 [0.13]	300U BLUE	NO SEE DETAIL Z	Au Flash	2311586-4
2.7 [0.11]	BLACK	YES	15µ" Au	2311586-3
2.7 [0.11]	661C BLUE	YES	Au Flash	2311586-2
3.18 [0.13]	300U BLUE	YES	Au Flash	2311586-1
X ± 0.38 [± 0.015]	HOUSING COLOR	SCREWLOCK	Contact Area Plating	P/N

THIS DRAWING IS A CONTROLLED DOCUMENT.		DWN AJITH PAI 20FEB2017	TE Connectivity	
DIMENSIONS: mm [INCHES]		CHK DANIEL GORENC 20FEB2017		
TOLERANCES UNLESS OTHERWISE SPECIFIED:		APVD DANIEL GORENC 20FEB2017	NAME AMPLIMITE RECEPTACLE, HD22, RIGHT ANGLE, 15P	
0 PLC ± -	1 PLC ± -	PRODUCT SPEC 108-130023	SIZE A2	
2 PLC ± 0.25	3 PLC ± -	APPLICATION SPEC	CAGE CODE 00779	DRAWING NO C=2311586
4 PLC ± -	ANGLES ± -	MATERIAL	WEIGHT	RESTRICTED TO
FINISH		CUSTOMER DRAWING		SCALE 3:1
		SHEET 1 of 1		REV D