

THE INFORMATION CONTAINED HEREIN IS CONSIDERED "PROPRIETARY" TO BEL FUSE INC. AND SHALL NOT BE COPIED, REPRODUCED OR DISCLOSED WITHOUT THE WRITTEN APPROVAL OF BEL FUSE INC.

RoHS  
2002/95/EC



LED1 POLARITY			LED2 POLARITY		
PIN 13	PIN 14	COLOR	PIN 15	PIN 16	COLOR
-	+	YELLOW	-	+	GREEN
			+	-	ORANGE

**ELECTRICAL CHARACTERISTICS @ 25°C**

**URNS RATIO**

TP1	1CT : 1CT ±2%
TP2	1CT : 1CT ±2%
TP3	1CT : 1CT ±2%
TP4	1CT : 1CT ±2%

**DCL @ 100kHz/100mVRMS**

8mA DC BIAS	350µH MIN.
-------------	------------

**INS. LOSS**

0.1MHz TO 1MHz	-1.1 dB MAX
1MHz TO 65MHz	-0.5 dB MAX
65MHz TO 100MHz	-0.8 dB MAX
100MHz TO 125MHz	-1.2 dB MAX

**RET. LOSS (MIN)**

0.5MHz-40MHz	-18 dB
40MHz-100MHz	-12+20LOG(f/80MHz) dB

**CM TO CM REJ**

100kHz - 100MHz	-30 dB MIN
-----------------	------------

**CM TO DM REJ**

100kHz - 100MHz	-35 dB MIN
-----------------	------------

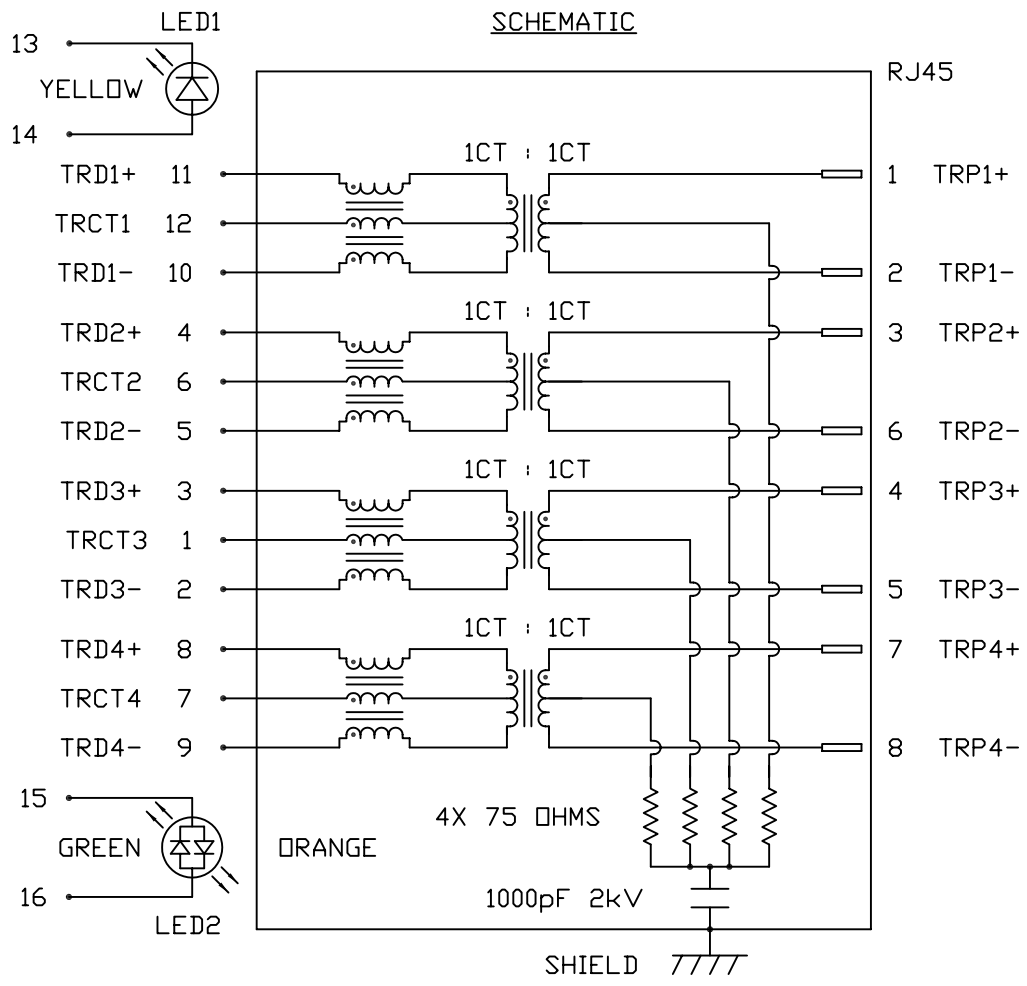
**HIPOT (Isolation Voltage):**

LED1	1500 Vrms
------	-----------

VF (FORWARD VOLTAGE)	IF=20mA	YELLOW	2.1V TYP.
λD (DOMINANT WAVELENGTH)	IF=20mA	YELLOW	590nm TYP.

VF (FORWARD VOLTAGE)	IF=20mA	GREEN	2.2V TYP.
		ORANGE	2.0V TYP.

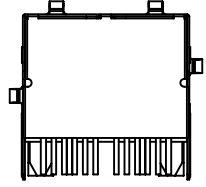
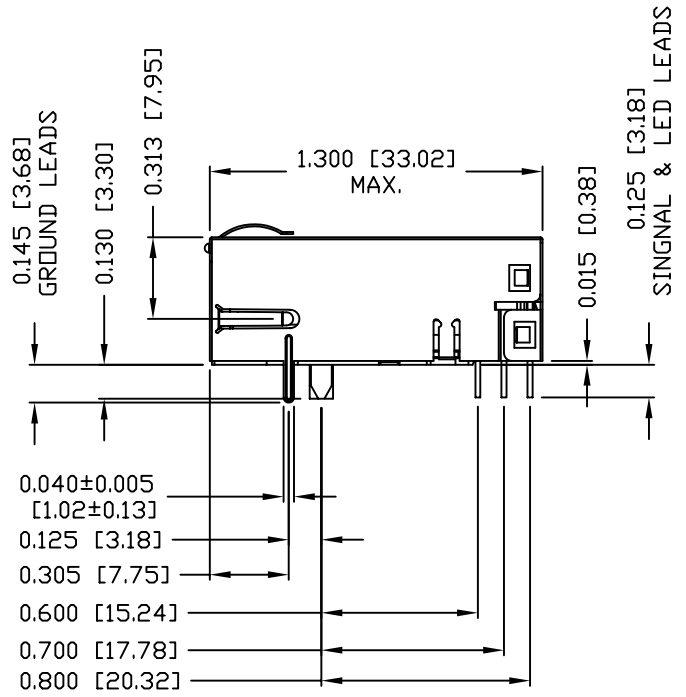
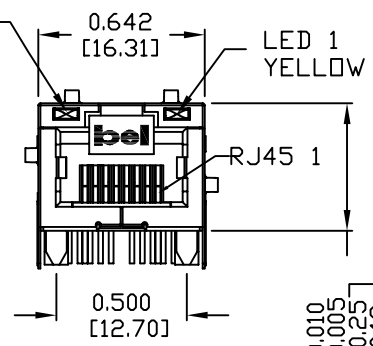
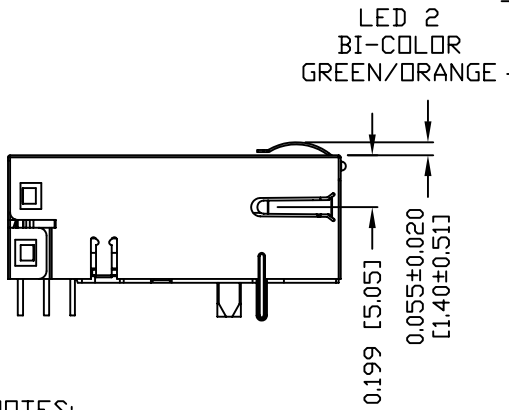
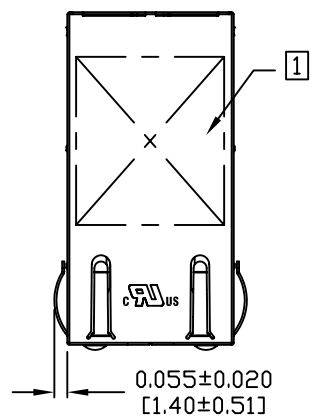
λD (DOMINANT WAVELENGTH)	IF=20mA	GREEN	565nm TYP.
		ORANGE	610nm TYP.



<b>ORIGINATED BY</b> CHUNG	<b>DATE</b> 11-25-05	<b>TITLE</b> gigabit MagJack® (8 cores, Tab Up)	<b>PART NO. / DRAWING NO.</b> L8261X1T43-F	<b>STANDARD DIM.</b> TOL. IN INCH .X .XX .XXX	<b>[ ] METRIC DIM. AS REFERENCE</b> UNIT : INCH [mm] SCALE : N/A	<b>REV. : B</b> SIZE : A4 PAGE : 2	<b>bel</b> COMPONENTS FOR A CONNECTED PLANET
<b>DRAWN BY</b> DE	<b>DATE</b> 11-25-05	L826-1X1T-43-F	FILE NAME L8261X1T43-FB.DWG				

THE INFORMATION CONTAINED HEREIN IS CONSIDERED "PROPRIETARY" TO BEL FUSE INC. AND SHALL NOT BE COPIED, REPRODUCED OR DISCLOSED WITHOUT THE WRITTEN APPROVAL OF BEL FUSE INC.

RoHS  
2002/95/EC



**NOTES:**

- PLASTIC HOUSING: THERMOPLASTIC PBT  
FLAMMABILITY RATING UL 94V-0
- CONTACTS PLATING: 50 MICRO-INCH HARD GOLD PLATING
- PINS: TIN-COATED COPPER WIRE, DIA 0.018 INCH.
- METAL SHIELD: NICKEL PLATED ON COPPER ALLOY  
(ALL GROUND LEADS ARE SOLDER DIPPED)

1] MARK PART WITH MFG. LOGO; MFG. NAME; PART NUMBER; DATE CODE.

UL RECOGNIZED - FILE #E196366 AND E169987.

2. RoHS COMPLIANCE, PER EU DIRECTIVE 2002/95/EC

ORIGINATED BY	DATE	TITLE	PART NO. / DRAWING NO.	STANDARD DIM.		[ ] METRIC DIM. AS REFERENCE	
				TOL. IN INCH	UNIT : INCH [mm]	REV. :	
QIN/BILL	11-25-05	gigabit MagJack® (8 cores, Tab Up) L826-1X1T-43-F	L8261X1T43-F	.X	N/A	REV. : B	SIZE : A4
DRAWN BY	DATE		FILE NAME	.XX			
TING	11-25-05	L8261X1T43-FB.DWG	.XXX ±0.010	SCALE :			

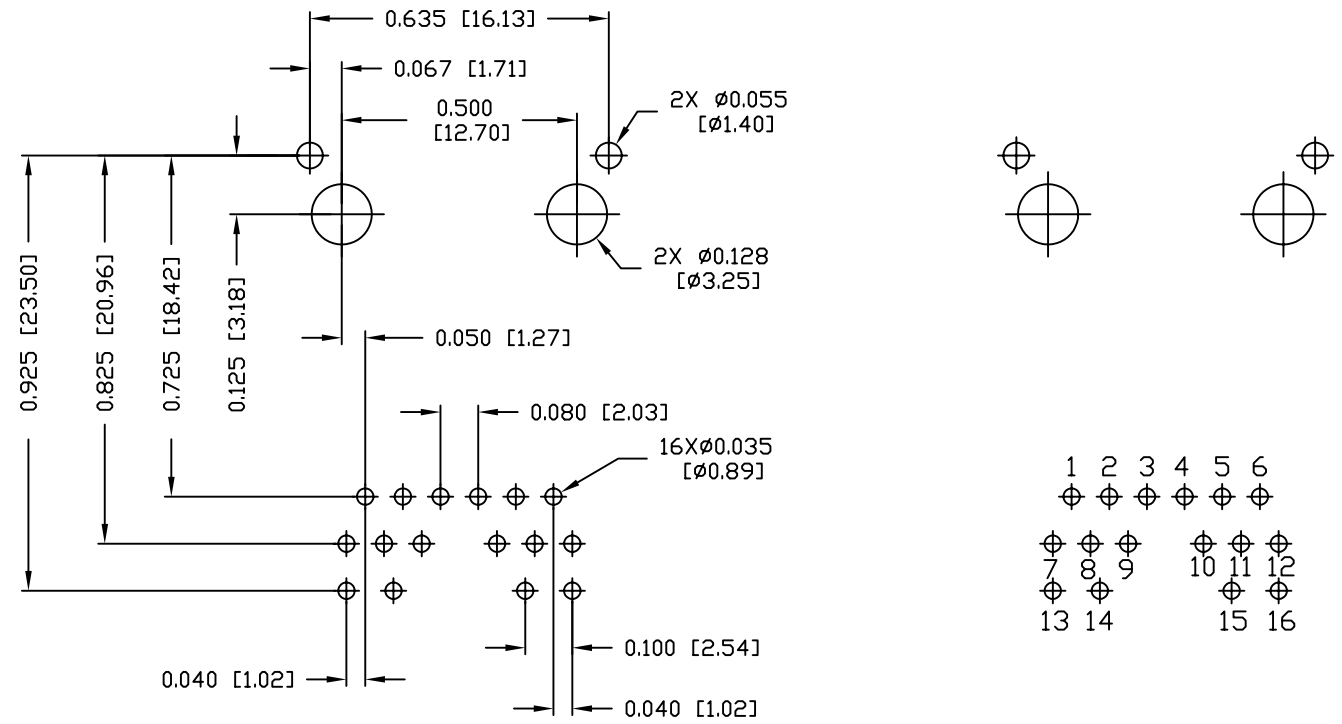


THE INFORMATION CONTAINED HEREIN IS CONSIDERED "PROPRIETARY" TO BEL FUSE INC. AND SHALL NOT BE COPIED, REPRODUCED OR DISCLOSED WITHOUT THE WRITTEN APPROVAL OF BEL FUSE INC.



### RECOMMENDED PCB FOOTPRINT

(COMPONENT SIDE VIEW)



ORIGINATED BY QIN/BILL	DATE 11-25-05	TITLE gigabit MagJack® (8 cores, Tab Up) L826-1X1T-43-F
DRAWN BY TING	DATE 11-25-05	

PART NO. / DRAWING NO. L8261X1T43-F
FILE NAME L8261X1T43-FB.DWG

STANDARD DIM. TOL. IN INCH	[ ] METRIC DIM. AS REFERENCE
.X	UNIT : INCH [mm]
.XX	SCALE : N/A
.XXX	±0.004

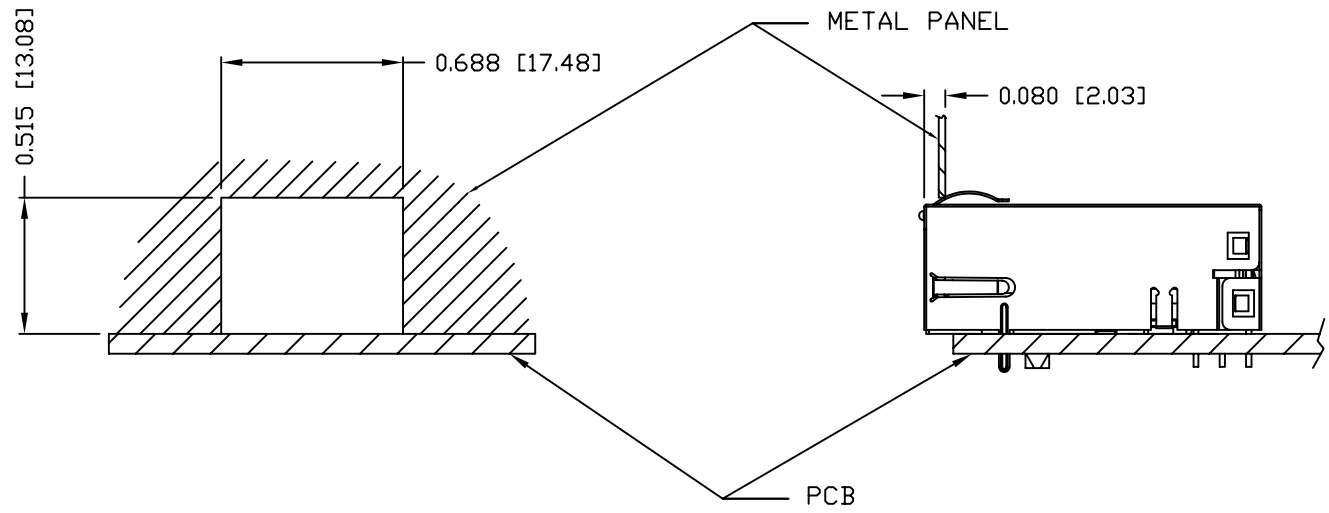
REV. : B	SIZE : A4	PAGE : 4
----------	-----------	----------



THE INFORMATION CONTAINED HEREIN IS CONSIDERED "PROPRIETARY" TO BEL FUSE INC. AND SHALL NOT BE COPIED, REPRODUCED OR DISCLOSED WITHOUT THE WRITTEN APPROVAL OF BEL FUSE INC.



SUGGESTED PANEL OPENING



NOTE:

THE DISTANCE OF PANEL INSIDE SURFACE RELATIVE TO FRONT SURFACE OF PART IS ONLY A SUGGESTION. IN CASE THIS DISTANCE IS DIFFERENT, THE REQUIRED PANEL OPENING DIMENSIONS CHANGE ACCORDINGLY.

PACKING INFORMATION

PACKING TRAY: 0200-9999-D6 (TOP)  
0200-9999-D7 (BOTTOM)

PACKING QUANTITY: 40 PCS FINISHED GOODS PER TRAY  
11 TRAYS (440 PCS FINISHED GOODS) PER CARTON BOX

NOTE: CARDBOARDS ARE PLACED BETWEEN LAYERS OF PACKING TRAY INSIDE CARTON BOX  
(INCLUDE THE UPPERMOST AND LOWERMOST TRAY)

ORIGINATED BY QIN/BILL	DATE 11-25-05	TITLE gigabit MagJack® (8 cores, Tab Up) L826-1X1T-43-F	PART NO. / DRAWING NO. L8261X1T43-F	STANDARD DIM. TOL. IN INCH		[ ] METRIC DIM. AS REFERENCE		bel
				.X		UNIT : INCH [mm]	REV. : B	
DRAWN BY TING	DATE 11-25-05		FILE NAME L8261X1T43-FB.DWG	.XX		SCALE : N/A	SIZE : A4	COMPONENTS ON A CONNECTED PLANET
				.XXX	±0.004		PAGE : 5	