

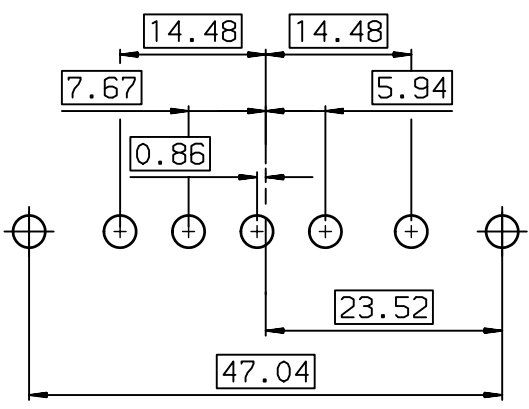
DETAIL OF PRESS FIT
scale:3

TIN LEAD PART NUMBER

DBV5W5P80C5M40	UNC 4.40
DBV5W5P80C6M40	UNC 4.40
PART NUMBER	Threaded A

GENERAL CHARACTERISTICS : SEE DRAWING C01-8639-0002

LAYOUT DIMENSIONS (after plating)
CONNECTOR SIDE VIEW



rev	ecn no	dr	date
B	-	DEB	2003/09/29
C	LS05-004	MPE	2005/02/08
D	LS06-0095	LGO	2006/06/27
E	LS07-0070	MPE	2007/03/06
-	-	-	-
-	-	-	-
-	-	-	-

www.fciconnect.com		surface ISO 1302	<input checked="" type="checkbox"/>	tolerance std ISO 406 ISO 1101	projection 	mm
TOLERANCES UNLESS OTHERWISE SPECIFIED				size A3		
Dr	JOUBERT	2000/05/29	ANGULAR	0.X	±0.1	Scale 2
Eng	PESSON	2000/05/29	LINEAR	0.XX	±0.1	
Chr	LEGARE	2000/05/29	0.XX' ±2'	0.XXX	±0.1	ECN LS07-0070
Appr	LEGARE	2000/05/29	Product family	D-SUB		Spec ref -
		title MALE 5W5 CONNECTOR with right angled power press fit.			dwg no C01-8639-1730	
catalog no		CUSTOMER			sheet 1 of 1	