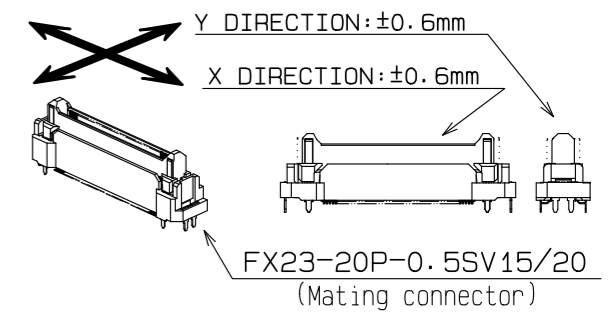
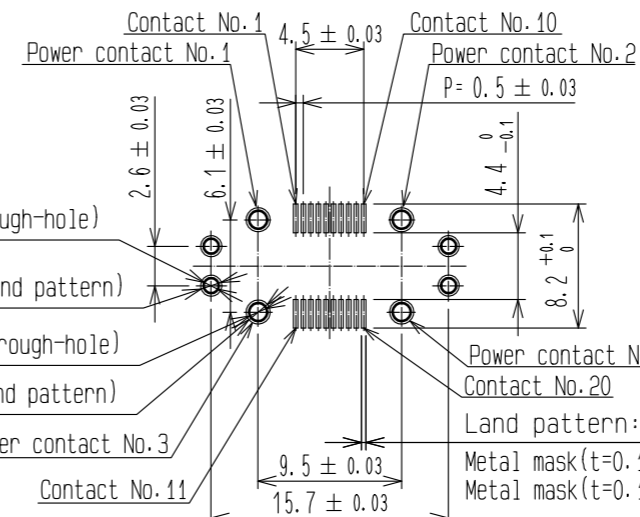
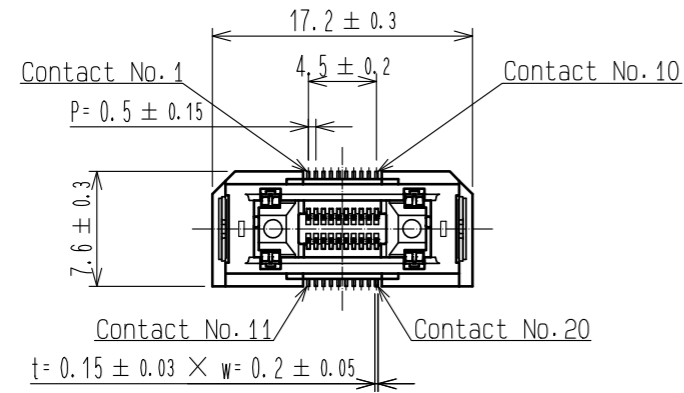


RECOMMENDED LAND PATTERN DIMENSION OF PCB  
(PCB THICKNESS:  $t=1.6\text{mm}$ )

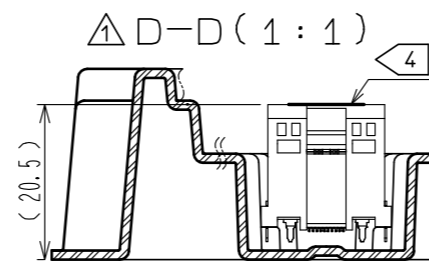
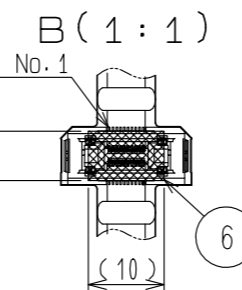
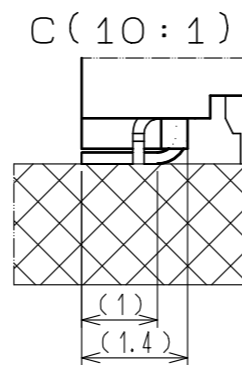
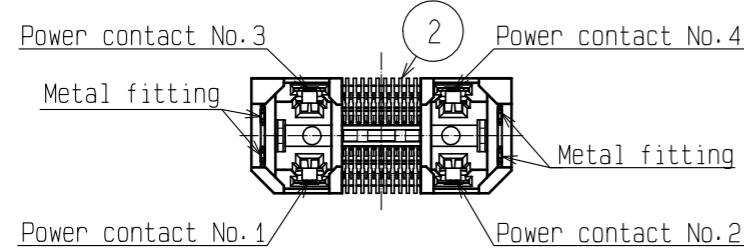
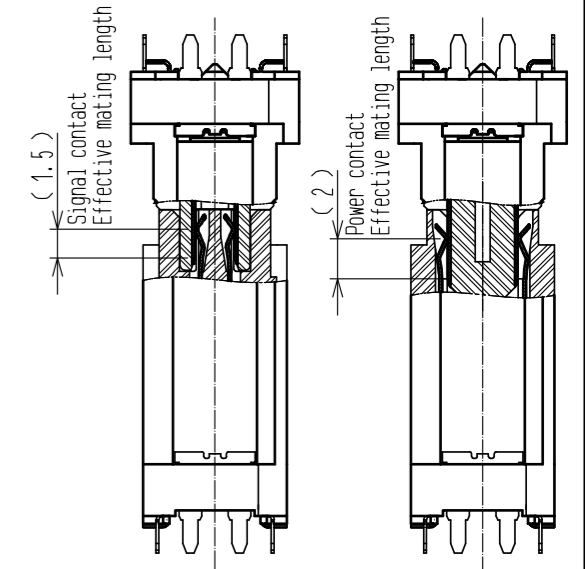
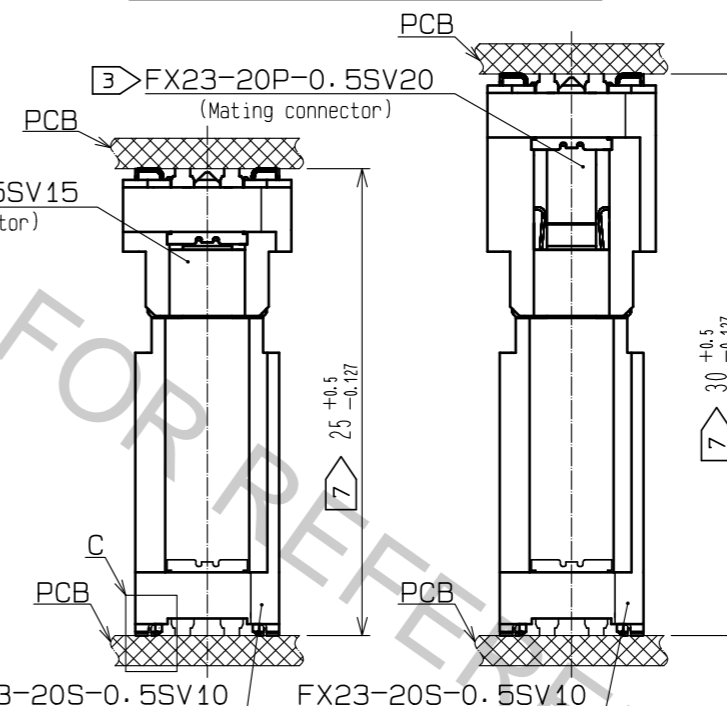
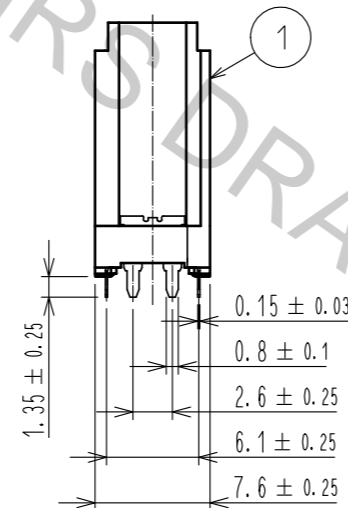
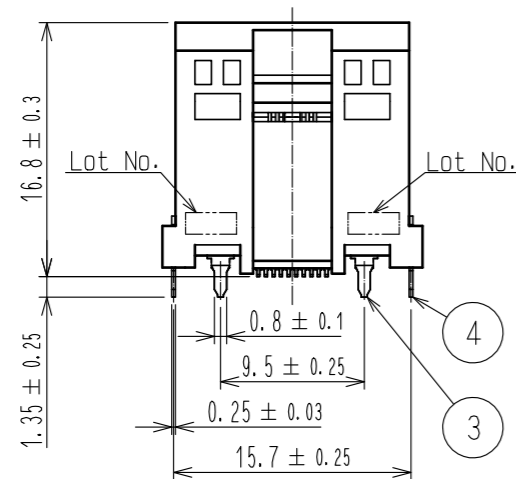
FLOATING RANGE



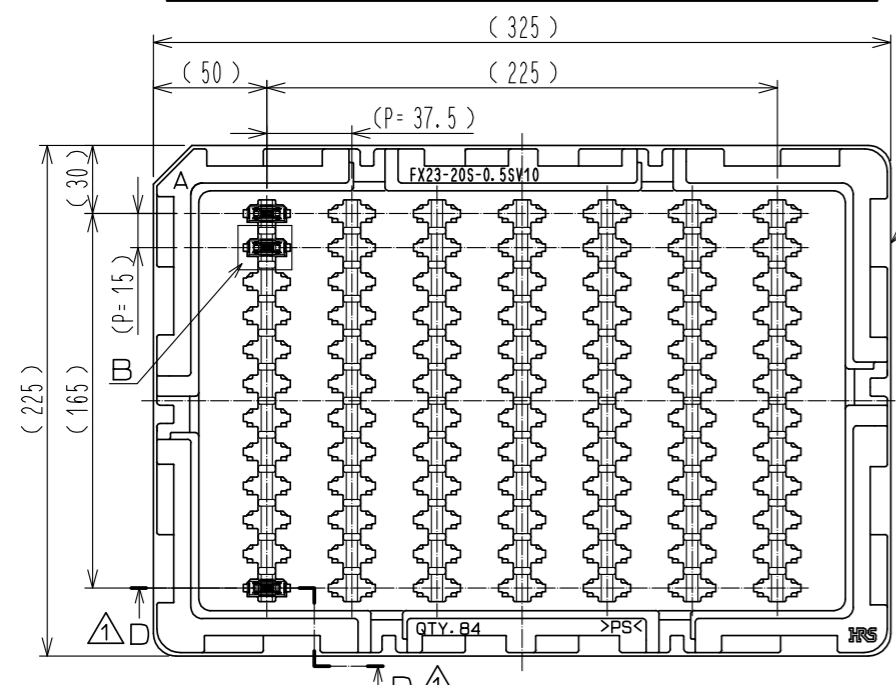
4x  $\phi 1.4^{+0.2}$  (Through-hole)  
4x  $\phi 1.2^{+0.1}$  (Through-hole)  
4x  $\phi 1.6^{+0.2}$  (Land pattern)  
Power contact No. 1  
Contact No. 10  
Power contact No. 2  
P =  $0.5 \pm 0.03$   
Power contact No. 4  
Contact No. 20  
Land pattern:  $0.3 \pm 0.03$   
Metal mask ( $t=0.15$ ):  $0.25 \pm 0.03$   
Metal mask ( $t=0.12$ ):  $0.3 \pm 0.03$

PCB DISTANCE (No scale)

CROSS SECTION OF MATING (No scale)



DRAWING FOR PACKING (No scale)



- Lead CO-Planarity is 0.1mm MAX.
- This is packaged in tray. (84pcs/tray)
- Floating range of this connector is  $\pm 0.6\text{mm}$  MAX.
- It shows the vacuum pickup area. Remove the mylar tape before mating connectors.
- Blemish and hit mark can be occurred through out the manufacturing process which doesn't affect quality level.
- The dimensions in parentheses are for references.
- Please use the connectors within the specified PCB distance.

NO.	MATERIAL	FINISH	REMARKS	NO.	MATERIAL	FINISH	REMARKS
2	COPPER ALLOY		CONTACT AREA: GOLD $0.1 \mu\text{m}$ LEAD AREA: GOLD $0.03 \mu\text{m}$ UNDER PLATING: NICKEL $1.3 \mu\text{m}$	6	POLYIMIDE		(TAPE FOR VACUUM PICKUP)
1	LCP		BLACK UL94V-0	5	POLYSTYRENE		(TRAY)
				4	BRASS		LEAD AREA: TIN-PLATING $3 \mu\text{m}$ UNDER PLATING: NICKEL $1 \mu\text{m}$
				3	COPPER ALLOY		CONTACT AREA: GOLD $0.1 \mu\text{m}$ LEAD AREA: TIN-PLATING $1 \mu\text{m}$ UNDER PLATING: NICKEL $1.3 \mu\text{m}$

UNITS	SCALE	COUNT	DESCRIPTION OF REVISIONS	DESIGNED	CHECKED	DATE
mm	2 : 1	3	DIS-F-00000763	TS.00NO	KN. SHIBUYA	15.10.20

APPROVED	CHECKED	DESIGNED	DRAWN	DRAWING NO.	PART NO.	CODE NO.
HS. OKAWA	KN. SHIBUYA	TS.00NO	TS.00NO	EDC-353558-00-00	FX23-20S-0.5SV10	CL573-3301-4-00

**HRS** HIROSE ELECTRIC CO., LTD.

1/1