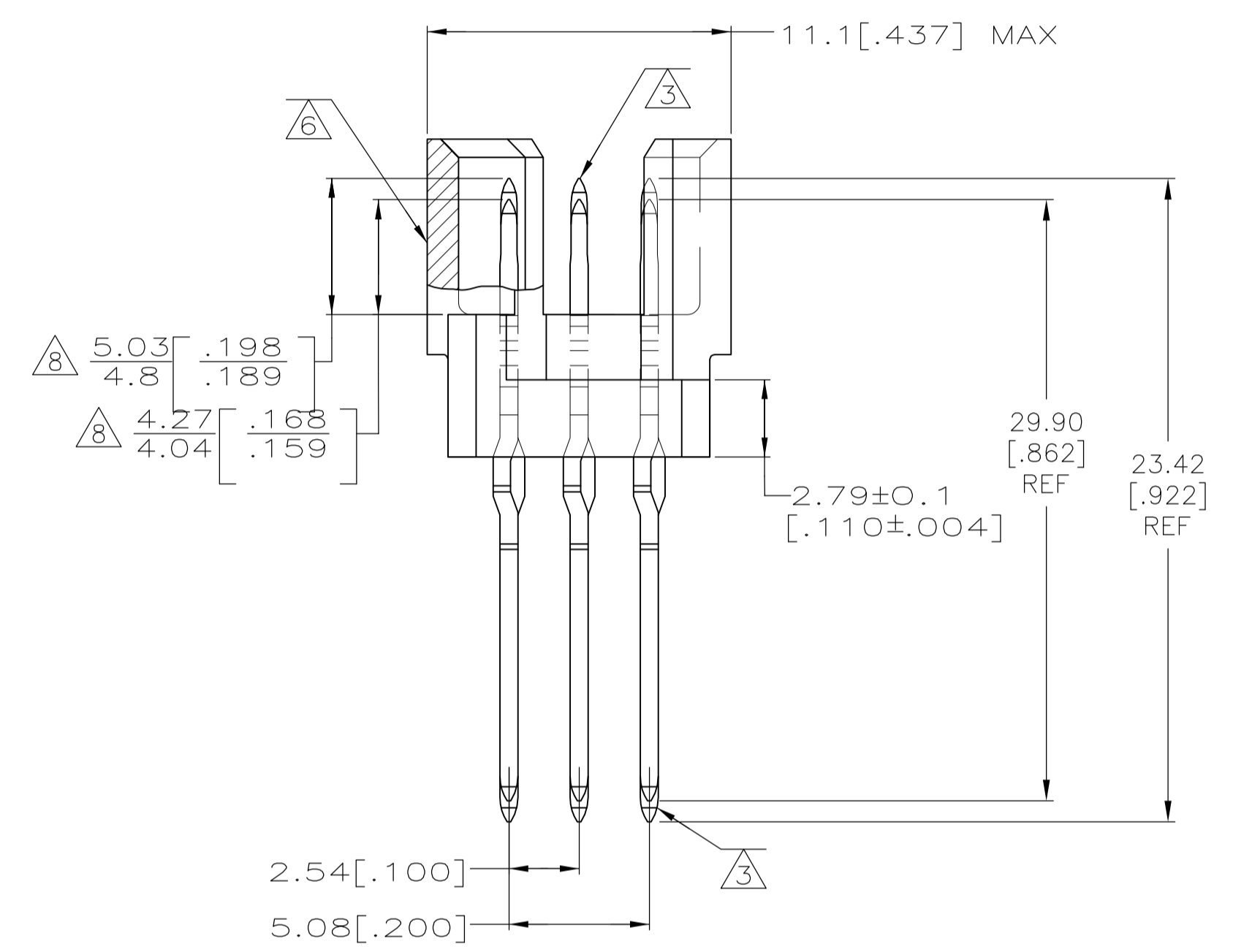


PC BOARD LAYOUT

- 1 HOUSING MATERIAL: GLASS-FILLED POLYESTER, COLOR: GRAY.
- 2 POST MATERIAL: PHOSPHOR BRONZE.
- 3 POST FINISH: DIN 41612 CLASS 2 IN CONTACT AREA AND LAST 5.08 [.200] OF POST
- 4 PC BOARD HOLES REQUIRED FOR ACTION PIN CONTACTS ARE 1.151[.0453] DRILL DIAMETER PLATED THROUGH WITH 0.02-.08[.001-.003] COPPER AND 0.008[.0003] MINIMUM TIN-LEAD PLATING. FINISHED HOLE AFTER PLATING, 0.94-1.09[.037-.043] DIAMETER.
- 5 PART NUMBER, DATE CODE MARKED THIS APPROXIMATE AREA.
- 6 MARKING ON THIS SIDE.
- 7. A 2.36[.093] MINIMUM THICK PC BOARD IS REQUIRED. PROGRAMMABLE SEATING TOOL 768216-4 MUST BE USED. PUSH PIN FOR 5.69[.224] LONG CONTACTS MUST BE MODIFIED.
- 8 DIMENSION APPLIES AFTER SEATING.



OBSOLETE

5,11,14,17,43	1-4,6-10,12,13,15,16,18-42,44-47,50	C	48	148495-2
5,11,14,17,43	1-4,6-10,12,13,15,16,18-42,44-47,50	B	48	
5,11,14,17,43	1-4,6-10,12,13,15,16,18-42,44-47,50	A	48	
17,43,45,47	1-16,18-42,44,46,48-50	C	50	148495-1
17,43,45,47	1-16,18-42,44,46,48-50	B	50	
17,43,45,47	1-16,18-42,44,46,48-50	A	50	
8 POSNS LOADED WITH 4.93[.194] CONTS AND 13.23[.521] TAILS	8 POSNS LOADED WITH 4.16[.164] CONTS AND 12.47[.491] TAILS	ROWS	NO. OF LOADED POSITIONS	PART NUMBER

THIS DRAWING IS A CONTROLLED DOCUMENT.

DIMENSIONS:	TOLERANCES UNLESS OTHERWISE SPECIFIED:	APPROVED:	DATE:
mm	0 PLC ± -	L. BRINER	7/22/98
	1 PLC ± -	C. RICHARD	7/22/98
	2 PLC ± 0.13[.005]	C. RICHARD	7/22/98
	3 PLC ± -		
	4 PLC ± -		
	ANGLES ± -		

MATERIAL: FINISH:

THIS DRAWING IS A CONTROLLED DOCUMENT.

APPROVED: DATE: 7/22/98

NAME: RICHARD

PRODUCT SPEC: PIN ASSEMBLY, EUROCARD, TYPE R WITH MFBL CONTACTS

SIZE: A1 CASE CODE: 00779 DRAWING NO: 148495

RESTRICTED TO: CUSTOMER DRAWING SCALE: 5:1 SHEET: 1 OF 1 REV: B