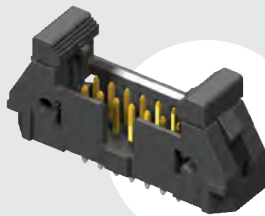
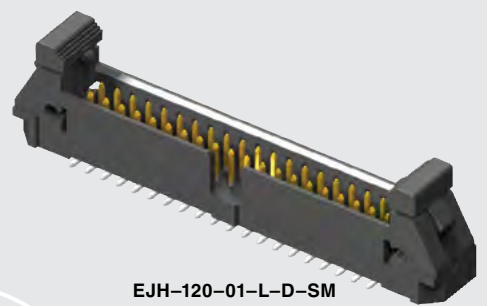


EJH-107-01-F-D-TH



EJH-120-01-L-D-SM



(2.54 mm) .100"

EJH SERIES

SHROUDED IDC EJECTOR HEADERS

SPECIFICATIONS

For complete specifications and recommended PCB layouts see www.samtec.com?EJH

Insulator Material:

- 01: Black LCP
- 02: Natural LCP

Terminal Material:

Phosphor Bronze

Plating:

Sn or Au over 50 μ" (1.27 μm) Ni

Operating Temp Range:

-55 °C to +125 °C

RoHS Compliant:

Yes

Mates with:

- IDSD (EJH-01 Required),
- HCSO (EJH-02 Required)

PROCESSING

Lead-Free Solderable:

Yes

SMT Lead Coplanarity:

(0.10 mm) .004" max

RECOGNITIONS

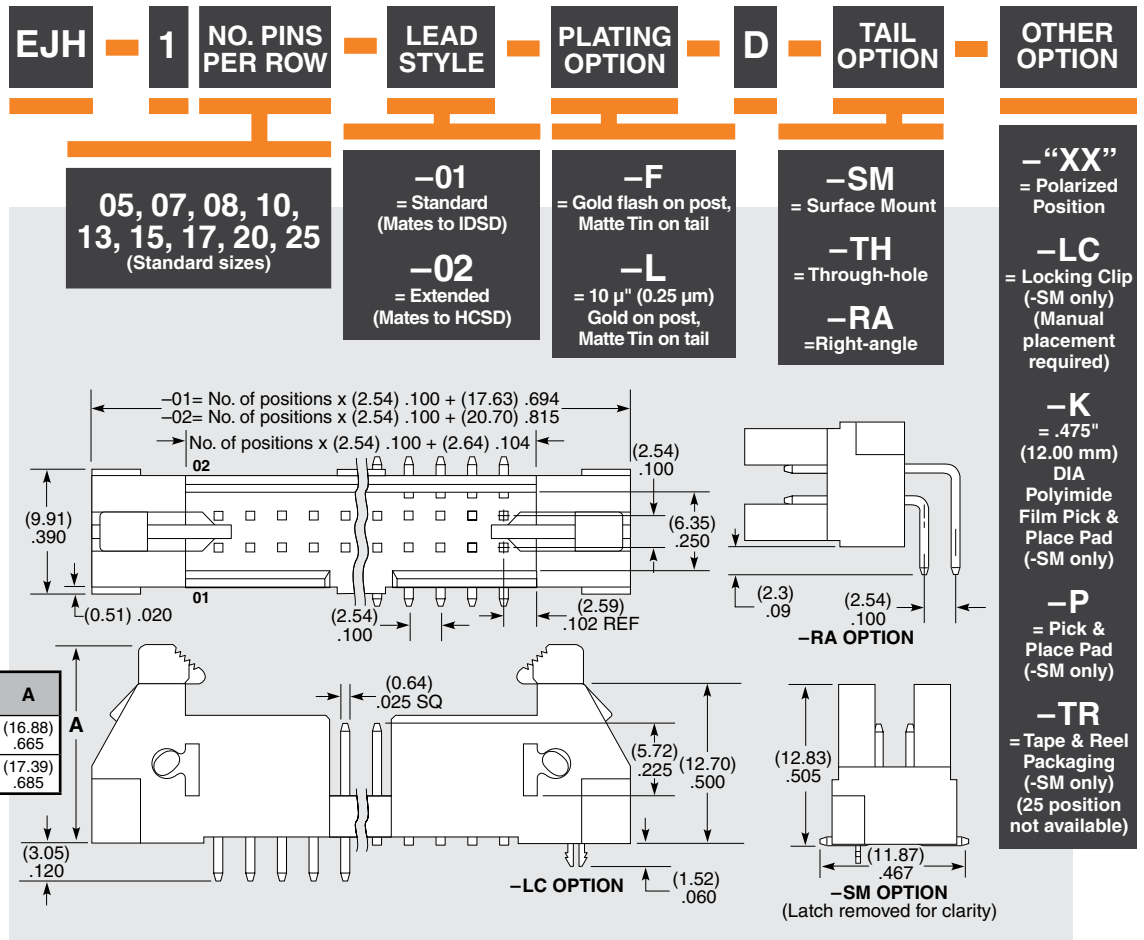
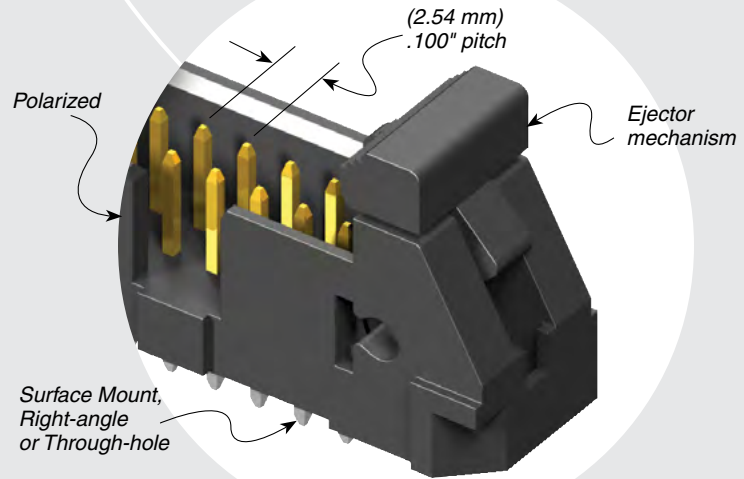
For complete scope of recognitions see www.samtec.com/quality



FILE NO. E111594

ALSO AVAILABLE (MOQ Required)

- Other sizes
 - Other platings
- Contact Samtec.



Note: Some lengths, styles and options are non-standard, non-returnable.