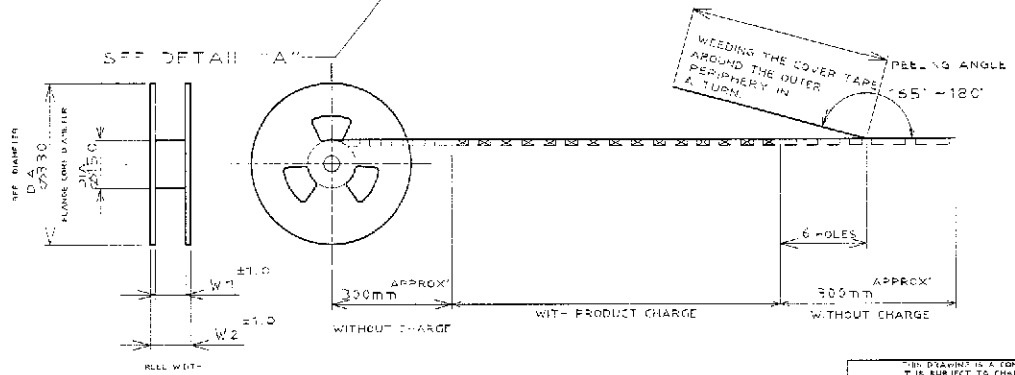
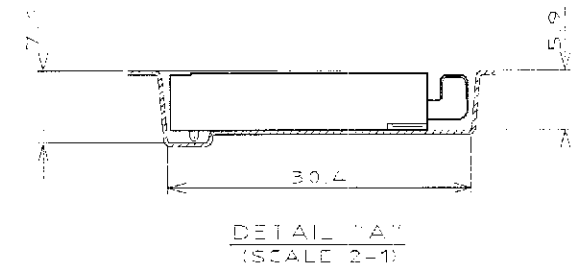
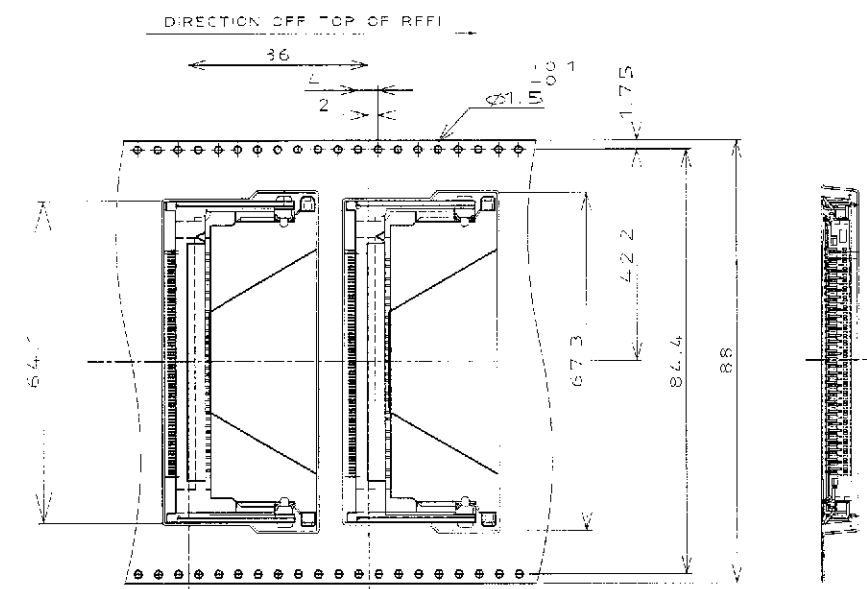
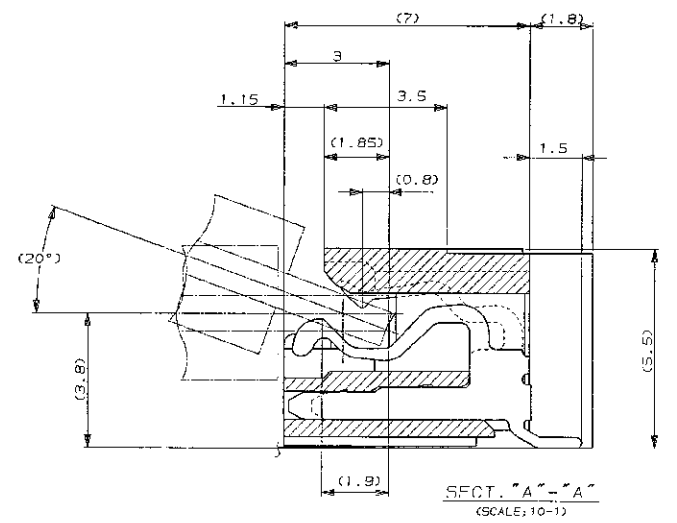
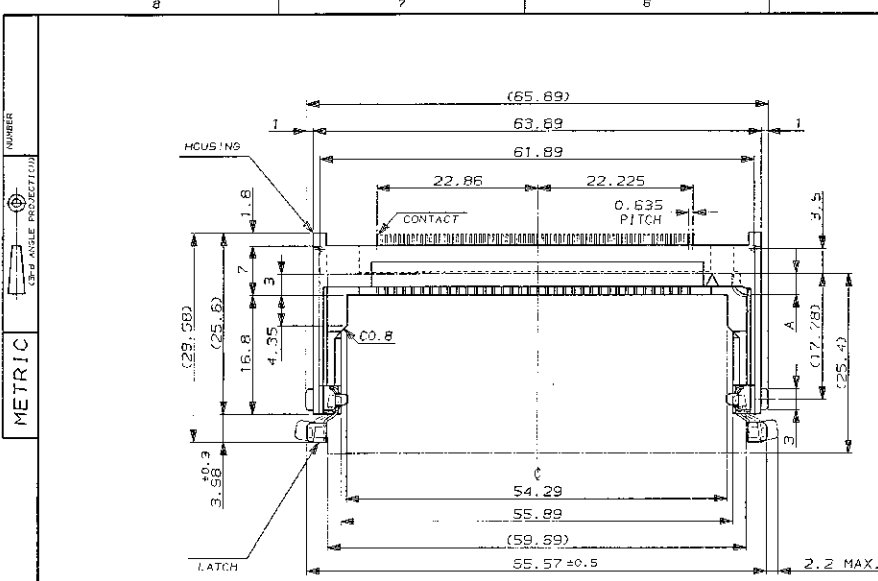


REVISIONS					
NO.	DATE	DESCRIPTION	BY	CHK	APPV
0		RELEASED	ECR-05-001352	4MAY05	LZ I.E
01		REVISED PER	ECO-10-000445	11JAN10	KK AEG

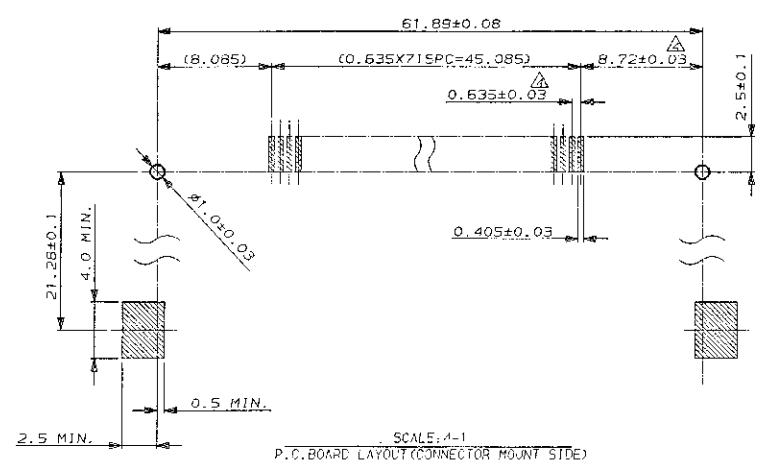
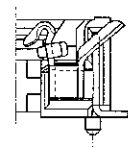
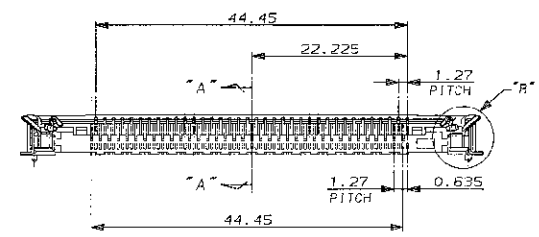


<b>4 OBSOLETE</b>	0.3A J, 3.3V	93.6	89.0	150	<b>6376266-2</b>
	0.3A J, 5V	93.6	89.0	150	<b>6376266-1</b>
	TYPE	W2	W1	QTY	PART NO.

THIS DRAWING IS A CONTROLLED DOCUMENT FOR AMP INCORPORATED IT IS SUBJECT TO CHANGE AND THE CONTROLLING ENGINEERING ORGANIZATION SHOULD BE CONTACTED FOR THE LATEST REVISION		LEO ZHOU 4MAR05 CHK STEVEN YAO 4MAR05 APPV LENO MOTO 4MAR05 PRODUCT SPEC APPLICATION SPEC WEIGHT CUSTOMER DRAWING	<b>tyco</b> Electronics Tyco Electronics AMP K.K. Kawasaki, Japan
DIMENS. UNITS mm TOLERANCES UNLESS OTHERWISE SPECIFIED .102 ± .02 .127 ± .02 .152 ± .03 ANGLES ± .25°	EMBOSS ASSY MI SOCKET 72POS.		
MATERIAL	FINISH	SIZE: <b>A3</b> PART FOOT: <b>00779</b> DRAWING NO: <b>6376266</b> SCALE: <b>1-1</b> SHEET <b>1</b> OF <b>3</b> REV <b>01</b>	RESTRICTED TO



- NOTES
- MATERIAL & FINISH  
 HOUSING : GLASS FILLED LCP  
 CONTACT : COPPER ALLOY  
 LATCH : COPPER ALLOY. (1N PL.)  
 CONTACT PLATING (AU PL. TYPE)  
 Au (0.3µm) PL. AT CONTACT, 1IN PL. AT TINE OVER NI PL.  
 TOLERANCE : NON CUMULATIVE.
- 4** OBSOLETE PARTS: OBSOLETE CIS STREAMLINING PER D.RENAUD/D.SINISI



OBSOLETE	NATURAL	1.0	2.98	0.3µm Au	6376266-2
	BLACK	1.0	6.15	0.3µm Au	6376266-1
HOUSING COLOR		C	A	PLATING (CONTACT POINT)	PART NO.

Copyright © 1993 Ami Group, LTD. ALL RIGHTS RESERVED.		tyco Electronics		Type "Electronics" 401-411 New York, N.Y.	
(THIS MARKED AND (AND - ) MATERIAL) SEE NOTES		(INSULATION DEPT) SEE NOTES		NAME: EMBOSS ASSY M III SOCKET	
OR. / APP.		GENERAL TOLERANCES: C		LOC: J REV: C-6376266	
SCALE: 2-1		RCV: 01		SHEET 2 OF 3	

PRINT DIST. / ALL DIMENSIONS IN MM. DD. MM. SCALE PRINT / NUMBER / METRIC / (30° ANGLE PROJECTED)

(CUSTOMER DRAWING)

NUMBER

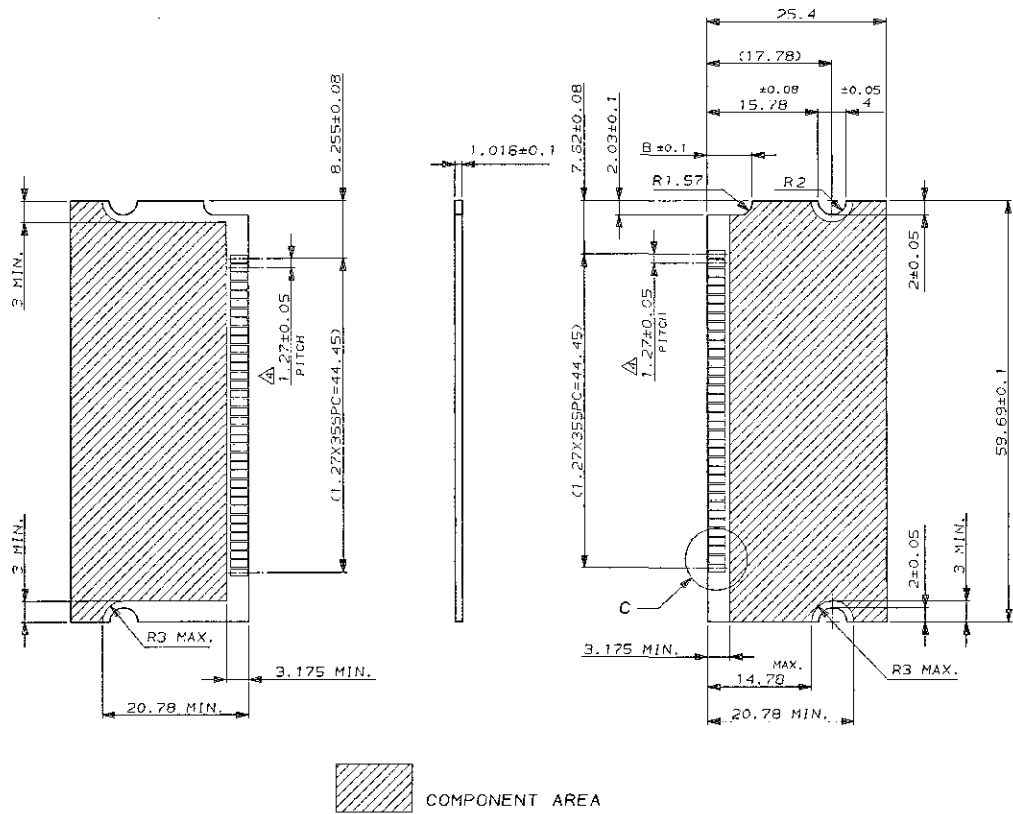


METRIC

SIZE AND DIMENSIONS IN MM. DO NOT SCALE PRINT

TYCO

3000



RECOMMENDED DIMENSIONS OF "SMALL CUT" IAF 51MM" P.C. BOARD

6.35	5.0V
3.175	3.3V
B	CIRCUIT VOLTAGE

Copyright © 1993 AMP Limited, LTD. ALL RIGHTS RESERVED.		tyco Electronics		Type Location: 401-4P Knessel, Jersey	
TYPE ASSEMBLY	INSULATION POINT	EMBOSS ASSY M III SOCKET			
MATERIAL	FINISH	LOC J (ING. 1)			
SEE NOTES	SEE NOTES	C-6376286			
UR.	DE.	REV. 01 SHEET 3 OF 3			
APP.		SCALE: 2-1			

(CUSTOMER DRAWING)