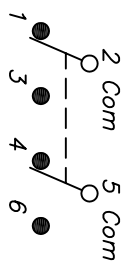
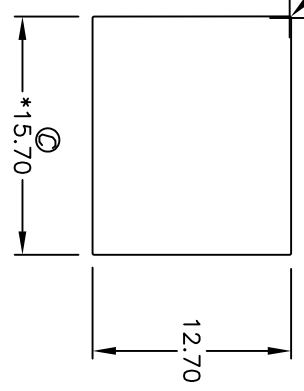
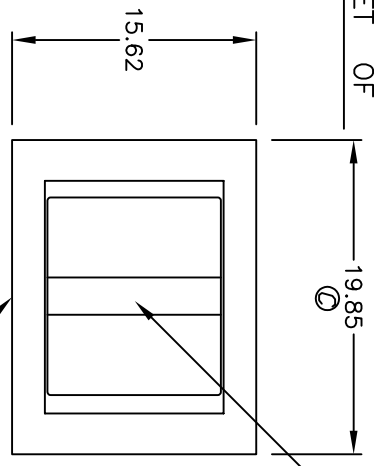


R. 0.13
(4 PL)

PANEL THICKNESS
1.52 TD 3.18

* DIMENSION IS 15.75/15.88
FOR PANEL THICKNESS BETWEEN
1.52mm TD 3.18mm

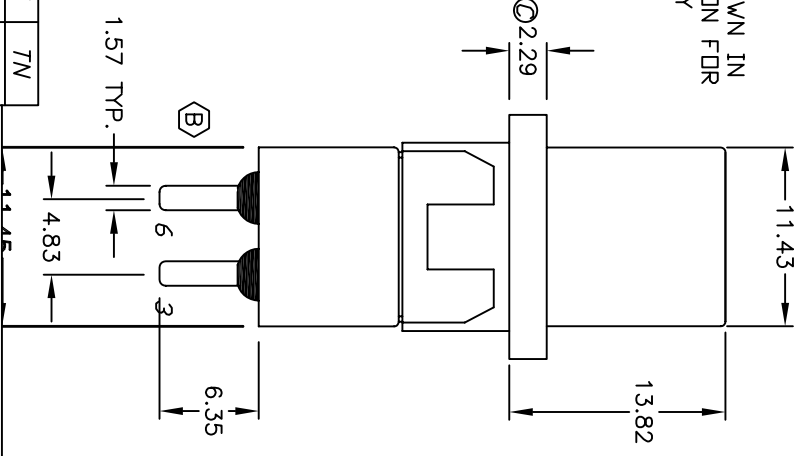
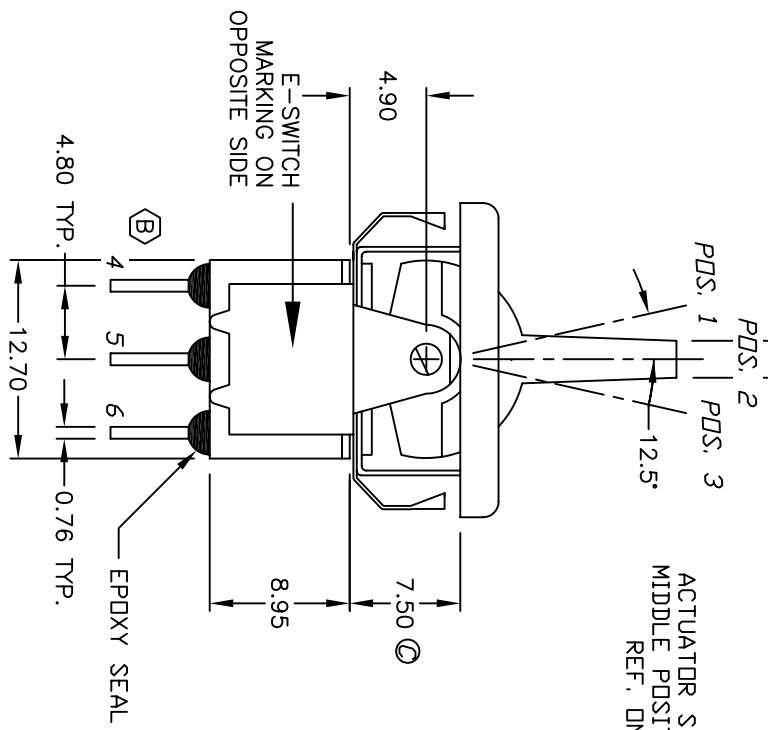


CIRCUIT: DPDT

RECOMMENDED PANEL MOUNTING

ACTUATOR SHOWN IN
MIDDLE POSITION FOR
REF. ONLY

SWITCH FUNCTION			
PDS. 1	PDS. 2	PDS. 3	
DN	DN	DN	
2-3,5-6	2-3,5-4	2-1,5-4	



NOTES:

1. ALL DIMENSIONS IN MM
2. GENERAL TOLERANCE: X.X=±0.4
X.XX=±0.25
3. TERM. NOS. FOR REF. ONLY
4. RATING: 0.4VA @20 (AC or DC) max.
5. MATERIAL: FIXED TERMINAL & MOVING CONTACT
Copper Alloy w/Gold plate over
Nickel plate.
6. CONTACT RESISTANCE: 10mΩ Ohms max initial
@2-4VDC, 100mA for AG & AU
7. ELECTRICAL LIFE: 50,000 make-and-break
cycles at full load.
8. INSULATION RESISTANCE: 1,000M Ohm min.
9. DIELECTRIC STRENGTH: 1000V RMS @sec level
10. OPERATING TEMP.: -30°C to 85°C
11. ▲ DENOTES CRITICAL PARAMETER.
12. 2002/95/EC (ROHS) COMPLIANT

REV.	ECN No.	DESCRIPTION	DATE	CHKD
E	16920	FIXED TERMINAL #'S DN ALL	1/25/07	TN
D	16908	FIXED SWITCH FUNCTION	1/23/07	TN
C	15900	CHANGES NOTED	3/27/06	PH
B	13412	CORRECT TERMINATION	8/29/03	AR
A	13281	RELEASED FOR PRODUCTION	7/10/03	AR



300DP6R7BLKM3REBLK

REV.	ECN No.	DESCRIPTION	DATE	CHKD
E	16920	FIXED TERMINAL #'S DN ALL	1/25/07	TN
D	16908	FIXED SWITCH FUNCTION	1/23/07	TN
C	15900	CHANGES NOTED	3/27/06	PH
B	13412	CORRECT TERMINATION	8/29/03	AR
A	13281	RELEASED FOR PRODUCTION	7/10/03	AR

SCALE	DATE	DR	DWG	REV
2:1	1/25/07	TN	T326038	E

THE INFORMATION CONTAINED IN THIS DOCUMENT
IS PROPRIETARY TO E-SWITCH AND IS
NOT TO BE COPIED OR TRANSFERRED