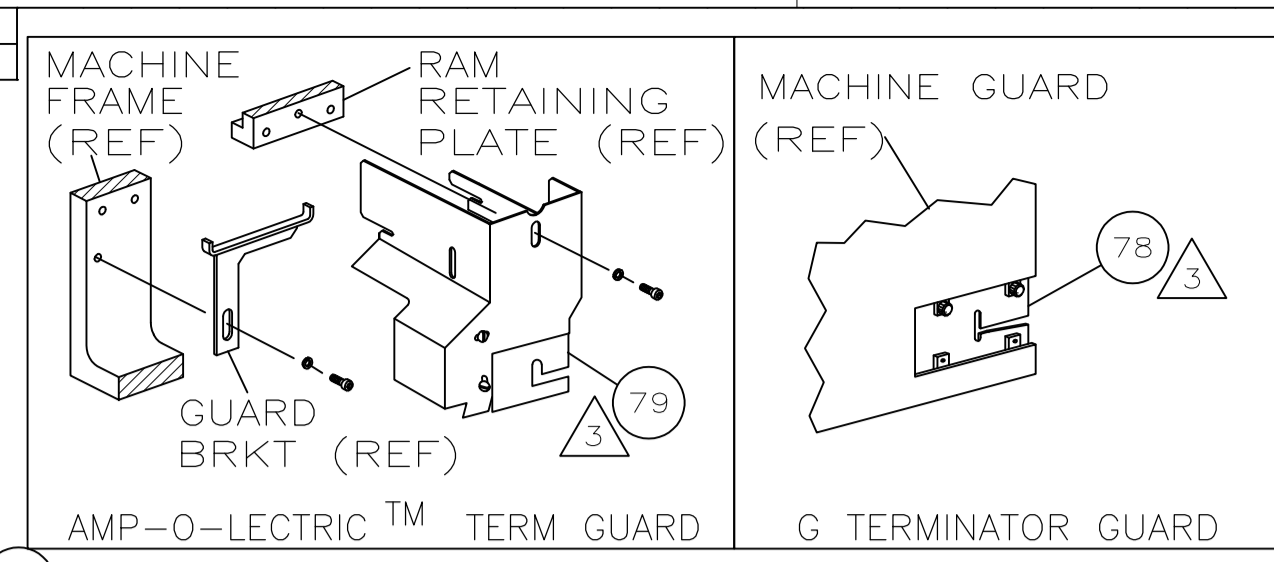


THIS DRAWING IS UNPUBLISHED. RELEASED FOR PUBLICATION. COPYRIGHT BY TYCO ELECTRONICS CORPORATION. ALL INTERNATIONAL RIGHTS RESERVED.

PART NUMBER	REV	FIRST USED
680314-1	J	122500-1
680314-2	J	565435-5
680314-3	J	354500-1

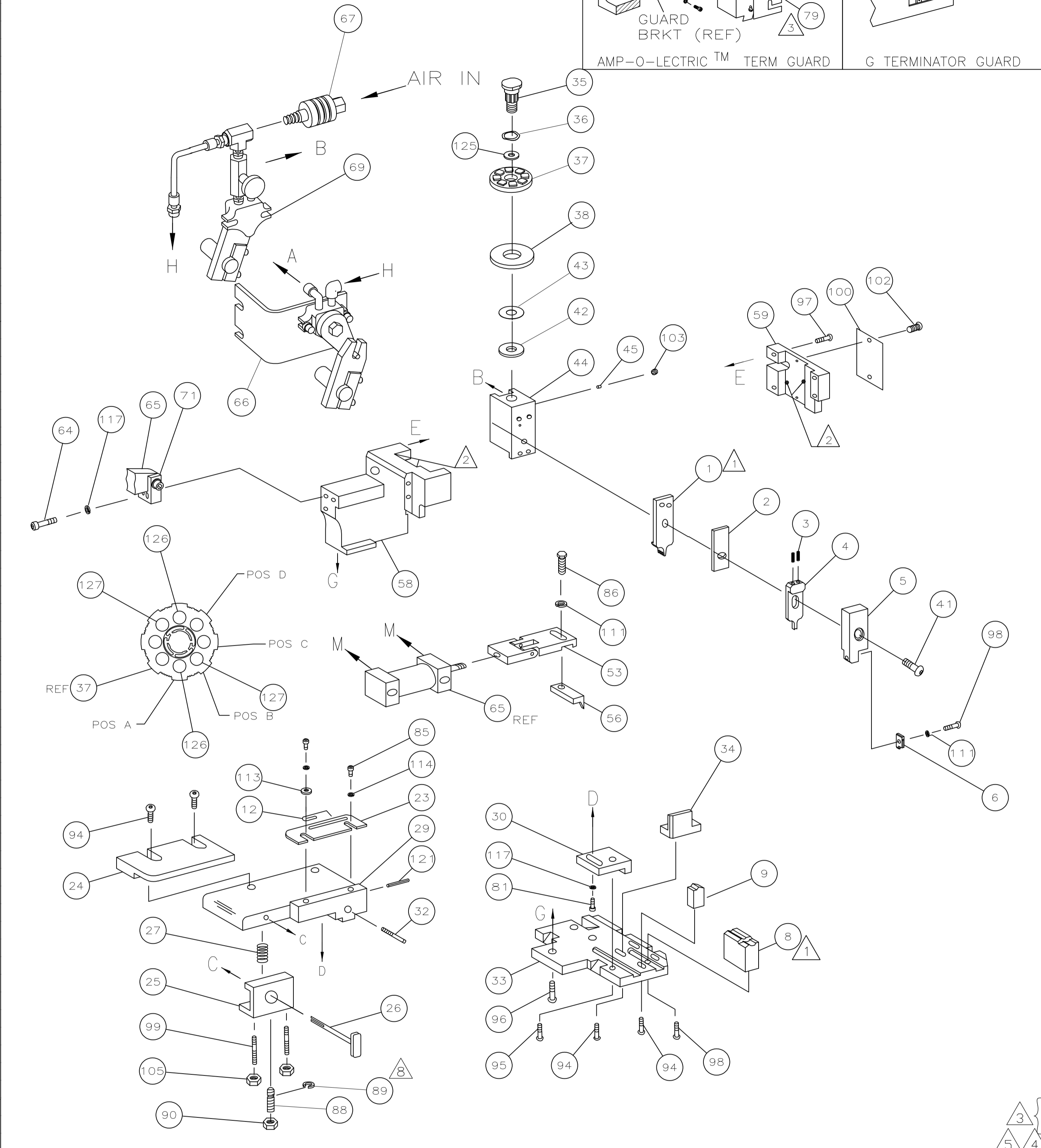


TERMINAL NAME: TUBULAR END-SLEEVE W/PLASTIC SLEEVE

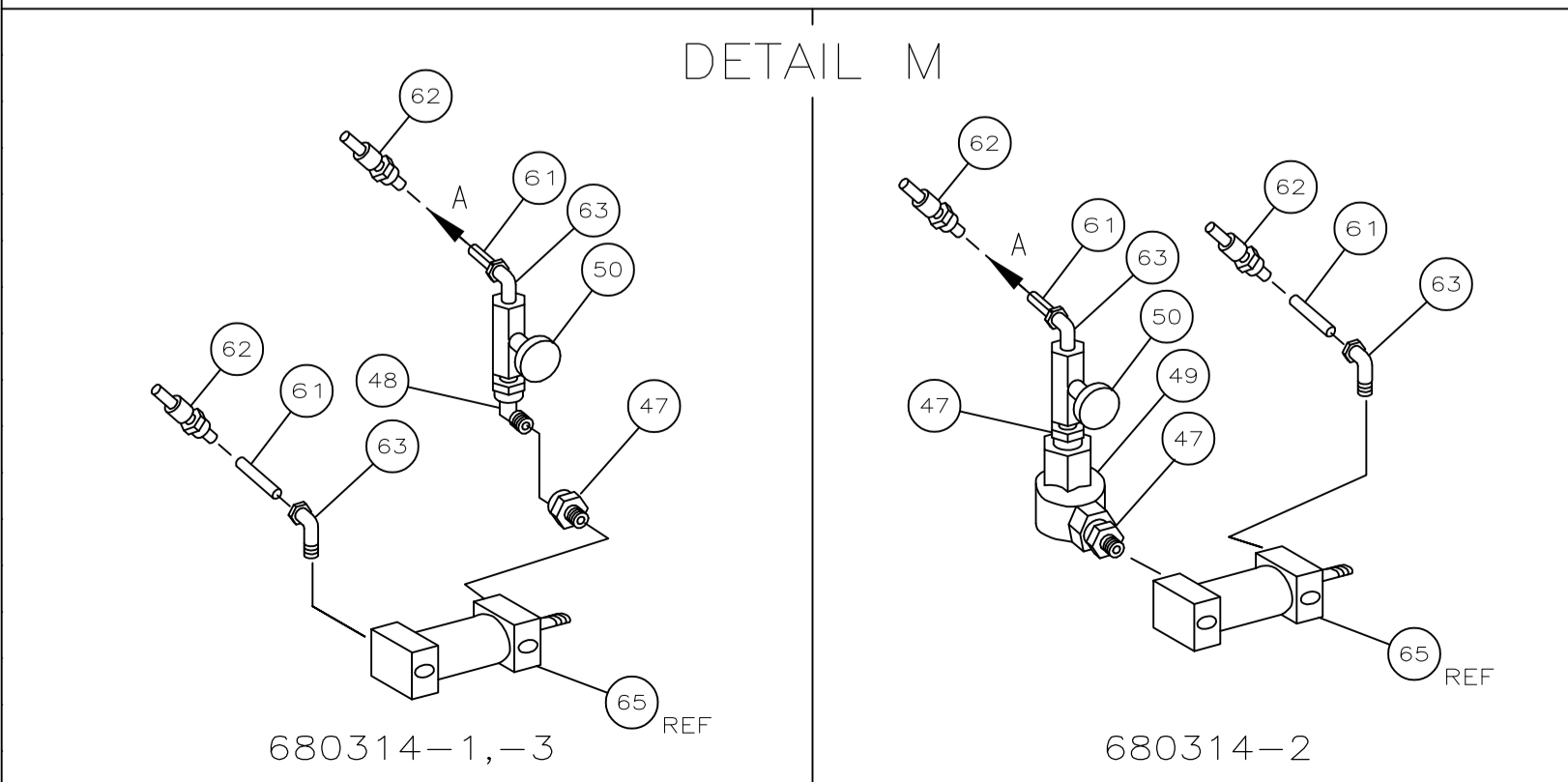
CRIMPING DATA	
966378	CRIMP HEIGHT
966377	WIRE SIZE
966386	CRIMP HEIGHT
966385	WIRE SIZE
1241002	CRIMP HEIGHT
1241003	WIRE SIZE
	CRIMP SIZE
	CRIMP TYPE
	CRIMP RANGE
	WIRE SIZE
	WIRE INSUL
WIRE STRIP LENGTH 10mm	TERM APPL SPEC NONE
FEED 4.2mm	APPL INSTRUCTION 408-8040
SET UP GAGE 458637-1	LAYOUT L1776

LOC	DIST	REVISIONS			
F	LTR	DESCRIPTION	DATE	BY	APPV
A	66	ECR-09-009667	4-2009	MY	TE

-1	LEADMAKER	AIR FEED
-2	BENCH MODEL K	AIR FEED
-3	BENCH MODEL G	AIR FEED



QTY	REQD	PER ASSY	PART NO	DESCRIPTION	ITEM NO
1	1	1	4-354779-6	PIN, WIRE DISC (.3220)B	129
2	2	2	2-354779-2	PIN, WIRE DISC (.3100)A	127
1	1	1	986950-1	WASHER, FLAT PRECISION	126
1	1	1	217238-1	GENERAL INSTRUCTION PACKAGE	125
1	1	1	4088040	SF APPL INST 408-8040	124
1	1	1	4-21028-0	PIN,SLT SPR(Ø.093x.75)ST GDE PL	123
1	1	1	21024-5	WASHER, LOCK(#10)ADJ BLOCK	122
2	2	2	21024-2	WASHER,LOCK(#4)FRONT STP GUIDE	121
1	1	1	21055-4	WASHER,FLAT(#4)FRONT STP GUIDE	120
2	2	2	21024-4	WASHER,LOCK(#8)	119
2	2	2	21021-4	NUT, SELF LOCK(10-32)DRAG	118
1	1	1	21009-2	SCR,SKT SET(1/4-20x.25 LW)RAM	117
2	2	2	21017-2	SCR,DRIVE(#2x.19)ID PLATE	116
1	1	1	461264-1	PLATE, IDENTIFICATION	115
2	2	2	5-21006-9	STUD (10-32x1.25) DRAG	114
2	2	2	22733-8	SCR,BHC(8-32x.38 LW)ANVIL	113
4	4	4	2-21002-9	SCR,BHC(10-32x.75)CAP	112
3	3	3	2-22733-8	SCR,BHC(1/4-20x.62)HSG	111
1	1	1	2-21002-7	SCR,BHC(10-32x.50)SG ADJ BLK	110
6	6	6	2-21002-2	SCR,BHC(8-32x.50)TERM H DWN	109
1	1	1	22202-1	NUT, JAM, 1/4-20	108
1	1	1	1-21986-3	CLIP, E-RING	107
1	1	1	1490895-1	SCR,SKT SET(1/4-20x.75)MOD	106
1	1	1	2-22603-1	SCR,HEX HD(8-32x.38)FEED FINGER	105
2	2	2	1-21000-4	SCR,SHC(4-40x.38)F ST GUIDE	104
1	1	1	3-21000-4	SCR,SHC(10-32x.38)SG ADJ BL	103
1	1	1	459610-3	MOUNT, FEED BRACKET	102
-3	-2	-1	U/M		101
-1	-	-	462992-7	GUARD ASSY	100
REF	-	-	679532-1	INSERT, GUARD	99
-	-	1	662516-2	WIRE FUNNEL ASSEMBLY	98
1	1	1	622115-5	BLADE, SHEAR	97
1	1	1	662113-2	CAP, DEPRESSOR	96
1	1	1	662114-2	DEPRESSOR, TERMINAL	95
2	2	2	22278-7	SPRING	94
1	1	1	662116-1	SPACER, CRIMPER	93
1	1	1	356754-2	CRIMPER, WIRE	92
-3	-2	-1	U/M		91
1	1	1	662150-2	RAMP	90
1	1	1	356748-2	ANVIL	89
1	1	1	662115-5	BLADE, SHEAR	88
1	1	1	662113-2	CAP, DEPRESSOR	87
1	1	1	662114-2	DEPRESSOR, TERMINAL	86
2	2	2	22278-7	SPRING	85
1	1	1	662116-1	SPACER, CRIMPER	84
1	1	1	356754-2	CRIMPER, WIRE	83
1	1	1	356753-1	SPRING, ANTI BACK-UP	82
1	1	1	662115-5	BLADE, SHEAR	81
1	1	1	662113-2	CAP, DEPRESSOR	80
1	1	1	662114-2	DEPRESSOR, TERMINAL	79
2	2	2	22278-7	SPRING	78
1	1	1	662116-1	SPACER, CRIMPER	77
1	1	1	356754-2	CRIMPER, WIRE	76
1	1	1	356753-1	SPRING, ANTI BACK-UP	75
1	1	1	662115-5	BLADE, SHEAR	74
1	1	1	662113-2	CAP, DEPRESSOR	73
1	1	1	662114-2	DEPRESSOR, TERMINAL	72
2	2	2	22278-7	SPRING	71
1	1	1	662116-1	SPACER, CRIMPER	70
1	1	1	356754-2	CRIMPER, WIRE	69
1	1	1	356753-1	SPRING, ANTI BACK-UP	68
1	1	1	662115-5	BLADE, SHEAR	67
1	1	1	662113-2	CAP, DEPRESSOR	66
1	1	1	662114-2	DEPRESSOR, TERMINAL	65
2	2	2	22278-7	SPRING	64
1	1	1	662116-1	SPACER, CRIMPER	63
1	1	1	356754-2	CRIMPER, WIRE	62
1	1	1	356753-1	SPRING, ANTI BACK-UP	61
1	1	1	662115-5	BLADE, SHEAR	60
1	1	1	662113-2	CAP, DEPRESSOR	59
1	1	1	662114-2	DEPRESSOR, TERMINAL	58
2	2	2	22278-7	SPRING	57
1	1	1	662116-1	SPACER, CRIMPER	56
1	1	1	356754-2	CRIMPER, WIRE	55
1	1	1	356753-1	SPRING, ANTI BACK-UP	54
1	1	1	662115-5	BLADE, SHEAR	53
1	1	1	662113-2	CAP, DEPRESSOR	52
1	1	1	662114-2	DEPRESSOR, TERMINAL	51
2	2	2	22278-7	SPRING	50
1	1	1	662116-1	SPACER, CRIMPER	49
1	1	1	356754-2	CRIMPER, WIRE	48
1	1	1	356753-1	SPRING, ANTI BACK-UP	47
1	1	1	662115-5	BLADE, SHEAR	46
1	1	1	662113-2	CAP, DEPRESSOR	45
1	1	1	662114-2	DEPRESSOR, TERMINAL	44
2	2	2	22278-7	SPRING	43
1	1	1	662116-1	SPACER, CRIMPER	42
1	1	1	356754-2	CRIMPER, WIRE	41
1	1	1	356753-1	SPRING, ANTI BACK-UP	40
1	1	1	662115-5	BLADE, SHEAR	39
1	1	1	662113-2	CAP, DEPRESSOR	38
1	1	1	662114-2	DEPRESSOR, TERMINAL	37
2	2	2	22278-7	SPRING	36
1	1	1	662116-1	SPACER, CRIMPER	35
1	1	1	356754-2	CRIMPER, WIRE	34
1	1	1	356753-1	SPRING, ANTI BACK-UP	33
1	1	1	662115-5	BLADE, SHEAR	32
1	1	1	662113-2	CAP, DEPRESSOR	31
1	1	1	662114-2	DEPRESSOR, TERMINAL	30
2	2	2	22278-7	SPRING	29
1	1	1	662116-1	SPACER, CRIMPER	28
1	1	1	356754-2	CRIMPER, WIRE	27
1	1	1	356753-1	SPRING, ANTI BACK-UP	26
1	1	1	662115-5	BLADE, SHEAR	25
1	1	1	662113-2	CAP, DEPRESSOR	24
1	1	1	662114-2	DEPRESSOR, TERMINAL	23
2	2	2	22278-7	SPRING	22
1	1	1	662116-1	SPACER, CRIMPER	21
1	1	1	356754-2	CRIMPER, WIRE	20
1	1	1	356753-1	SPRING, ANTI BACK-UP	19
1	1	1	662115-5	BLADE, SHEAR	18
1	1	1	662113-2	CAP, DEPRESSOR	17
1	1	1	662114-2	DEPRESSOR, TERMINAL	16
2	2	2	22278-7	SPRING	15
1	1	1	662116-1	SPACER, CRIMPER	14
1	1	1	356754-2	CRIMPER, WIRE	13
1	1	1	356753-1	SPRING, ANTI BACK-UP	12
1	1	1	662115-5	BLADE, SHEAR	11
1	1	1	662113-2	CAP, DEPRESSOR	10
1	1	1	662114-2	DEPRESSOR, TERMINAL	9
2	2	2	22278-7	SPRING	8
1	1	1	662116-1	SPACER, CRIMPER	7
1	1	1	356754-2	CRIMPER, WIRE	6
1	1	1	356753-1	SPRING, ANTI BACK-UP	5
1	1	1	662115-5	BLADE, SHEAR	4
1	1	1	662113-2	CAP, DEPRESSOR	3
1	1	1	662114-2	DEPRESSOR, TERMINAL	2
2	2	2	22278-7	SPRING	1



- 1 RECOMMENDED SPARE PARTS.
- 2 GREASE LIGHTLY.
- 3 GUARD MUST BE IN PLACE WHEN OPERATING APPLICATOR IN A BENCH MACHINE.
- 4 SEE DRAWING FOR COMPONENTS.
- 5 ITEM NOT SHOWN ON ASSEMBLY.
- 6 TERMINAL 966378 & 966386, INSULATION Ø.118 MAX.
- 7 TERMINAL 966377 & 966385, INSULATION Ø.082 MAX.

8 THREAD ITEM 88 INTO ITEM 25 AND INSERT ITEM 89 ONTO ITEM 88.

THIS DRAWING IS A CONTROLLED DOCUMENT.

DIMENSIONS: INCHES	TOLERANCES UNLESS OTHERWISE SPECIFIED:	APPROVED: T. ELBIN	DATE: 7/31/96
0 PLC ± .005	1 PLC ± .002	2 PLC ± .001	3 PLC ± .0005
4 PLC ± .0002	ANGLES ± .001	SIZE: A1	CAGE CODE: 00779
MATERIAL: -	FINISH: -	WEIGHT: -	DRAWING NO: 680314

Customer Drawing: SCALE - SHEET 1 of 1 REV J