

U92 - A1X0 - 1X0X - XX

HEAT SINK OPTION

- 1 - NO HEAT SINK, NO CLIP
- 2 - FIN STYLE HEAT SINK (BLACK OXIDE) WITH CLIP
- 5 - ROUND PIN STYLE HEAT SINK (NICKEL PLATED) WITH CLIP
- A - FIN STYLE HEAT SINK (NICKEL PLATED) WITH CLIP
- D - SQUARE PIN STYLE HEAT SINK (BLACK OXIDE) WITH CLIP
- K - ROUND PIN STYLE HEAT SINK (CHROMATE PASSIVATION) WITH CLIP
- N - SQUARE PIN STYLE HEAT SINK (NICKEL PLATED) WITH CLIP

OPTIONAL DUST COVER

- 0 - NO DUST COVER
- D - WITH DUST COVER (SHIPPED BULK IN SAME BOX WITH CAGE & CONNECTOR ASSEMBLY)

MOUNTING SCREWS

- 0 - NO MOUNTING SCREWS SHIPPED
- 1 - WITH MOUNTING SCREWS M2 X 04 - 4.3MM LONG SHIPPED BULK IN SAME TRAY WITH CAGE ASSEMBLIES

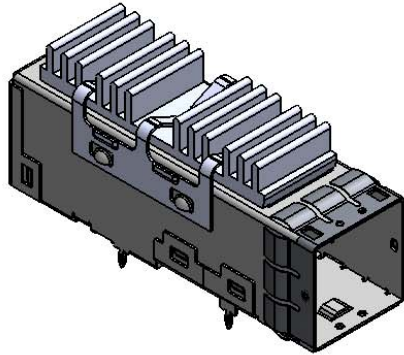
CONTACT PLATING

- 1 - MATING AREA PLATING: 0.76 µm GOLD OVER 2.54 µm OF NICKEL
PRESS FIT TAIL AREA PLATING: 0.76 µm TIN LEAD OVER 2.54 µm OF NICKEL
- 2 - MATING AREA PLATING: 0.38 µm GOLD OVER 2.54 µm OF NICKEL
PRESS FIT TAIL AREA PLATING: 0.76 µm TIN LEAD OVER 2.54 µm OF NICKEL
- 3 - MATING AREA PLATING: 0.76 µm GOLD OVER 1.27 µm TO 3.81 µm OF NICKEL
PRESS FIT TAIL AREA PLATING: 0.381 µm TO 1.52 µm OF MATTE TIN OVER 1.27 µm TO 3.81µm OF NICKEL

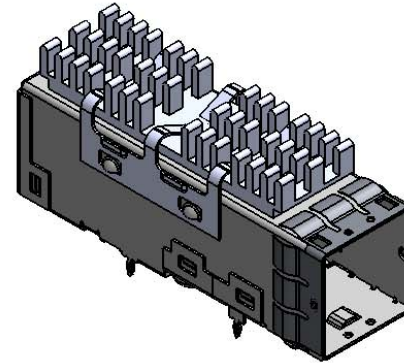
PACKAGING

- 1 - TRAY PACKAGING (HEAT SINKS ANC CLIPS , IF ORDERED, PACKED IN SEPARATE TRAYS FROM CAGES)
- A - TRAY PACKAGING (CAGE & CONNECTOR ASSEMBLY SHIPPED WITH HEAT SINK AND CLIP ATTACHED)

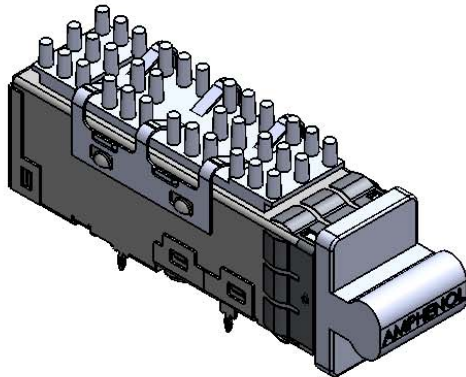
REVISIONS			
REV.	DESCRIPTION	DATE	APPROVED
F	LEAD-FREE PLATING OPTION ADDED	JUL 04/11	ZLJ
G	8X 0.57 HOLE CHANGED TO 6X	JUL 29/11	ADRIAN G
H	ADDED NOTES AND VIEW ADJUSTMENTS	JUL 29/11	
J	TOLERANCES ADDED TO PCB HOLES	OCT 20/11	
K	AHSI DESIGNATION ADDED	MAY 15/12	ZLJ



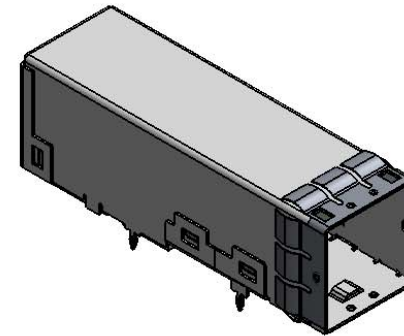
PART # **U92-A120-100A-10** SHOWN
(CAGE & CONNECTOR ASSEMBLY WITH FIN STYLE HEAT SINK ATTACHED, NO SCREWS AND NO DUST COVER)



PART # **U92-A110-1000A-10** SHOWN
(CAGE & CONNECTOR ASSEMBLY WITH SQUARE PIN HEAT SINK ATTACHED, NO SCREWS AND NO DUST COVER)



PART # **U92-A150-100A-10** SHOWN
(CAGE & CONNECTOR ASSEMBLY WITH ROUND PIN HEAT SINK ATTACHED, NO SCREWS AND WITH DUST COVER SHIPPED BULK)



PART # **U92-A110-1001-10** SHOWN
(CAGE & CONNECTOR ASSEMBLY NO HEAT SINK, NO SCREWS AND NO DUST COVER SHIPPED)



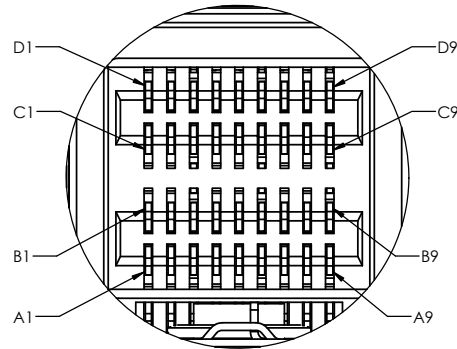
UNLESS OTHERWISE SPECIFIED: DIMENSIONS ARE IN MILLIMETERS TOLERANCES ARE:		APPROVAL	DATE
DECIMALS	ANGLES	DRAWN	ZLJ
.X ±0.2	X° ±1°	CHECKED	ZLJ
.XX ±0.1	X.X° ±0.5°	QA APPR.	
		ME APPR.	
		DWG APPR.	A.G.
		ENG. REL. NO.	SEP 22/09
DO NOT SCALE DRAWING		NSCM:	

Amphenol High Speed Interconnects
A Division of Amphenol Corp. www.amphenol-highspeed.com

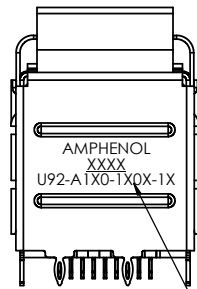
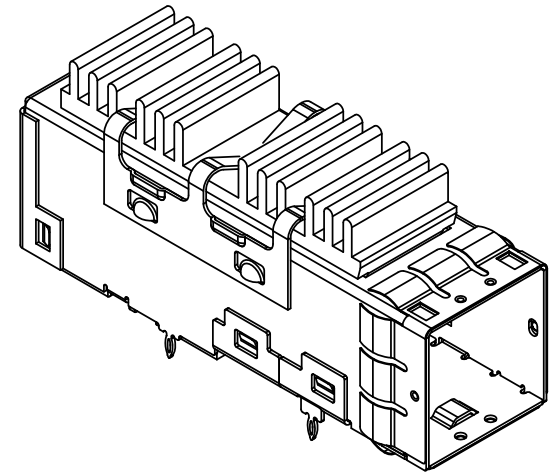
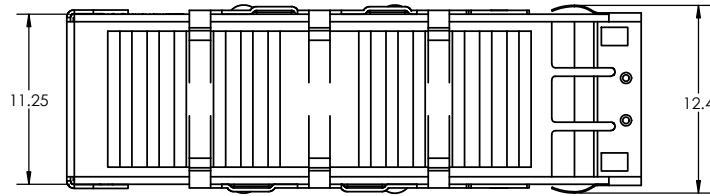
**4X MIN SAS HD
CAGE AND CONNECTOR
ASSEMBLY**

SIZE	DWG. NO.	P-U92-A1X0-1X0X-XX	REV	K
SCALE: 1:1	PROJECT: HD	SHEET 1 OF 4		

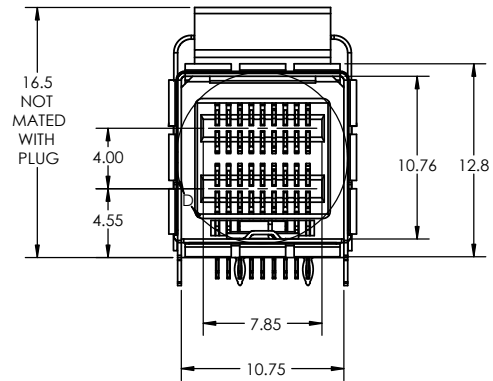
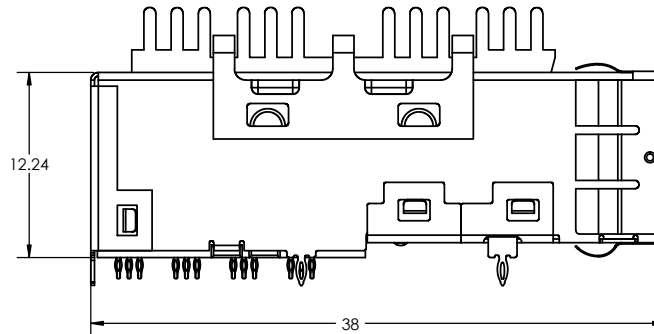
REVISIONS			
REV.	DESCRIPTION	DATE	APPROVED
K	SEE SHEET ONE	MAY 15/12	ZLJ



DETAIL D
SCALE 8 : 1



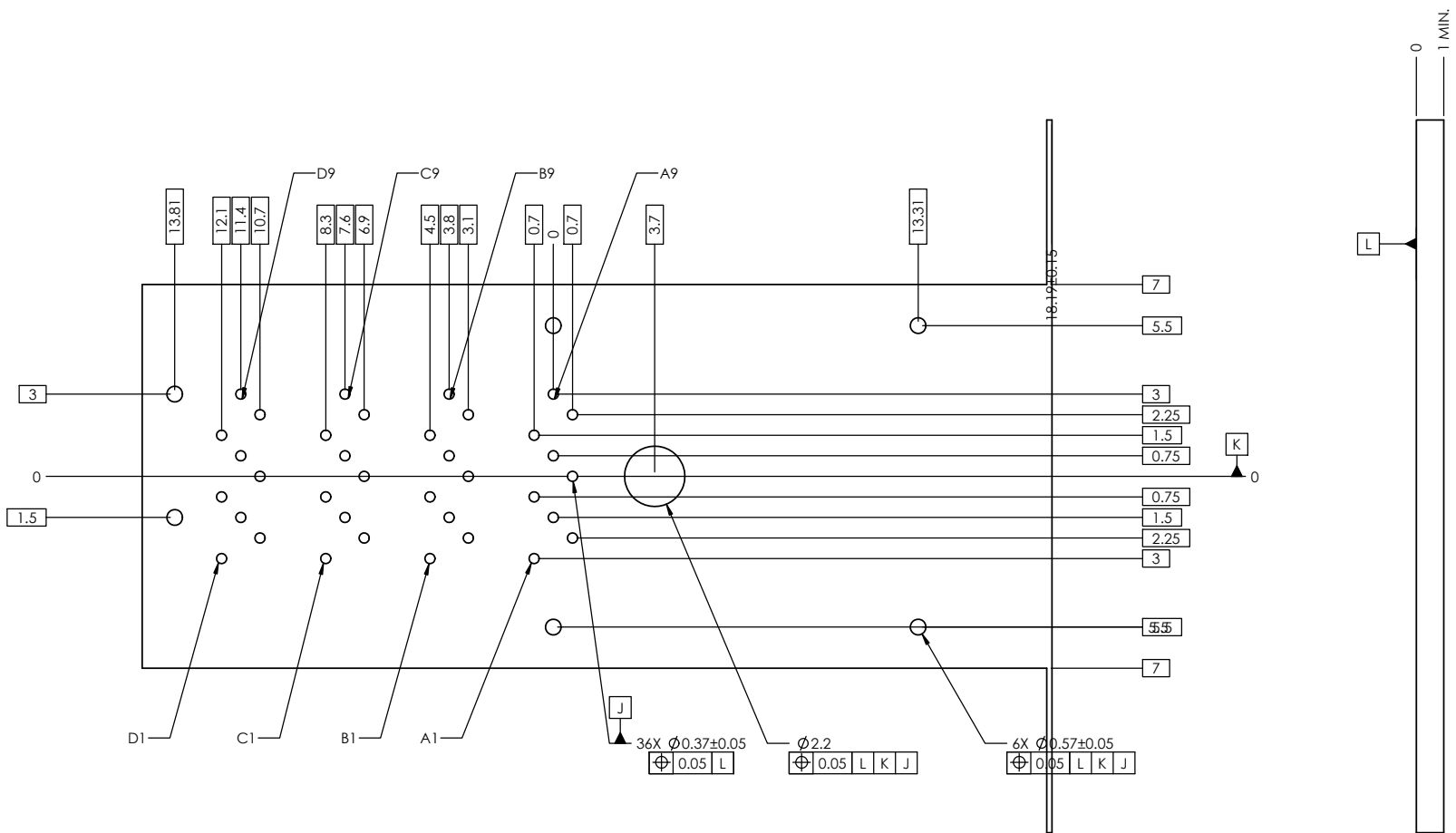
INK MARKING INFO:
FOUR (4) DIGIT DATE CODE AND PART NUMBER



THIS DOCUMENT CONTAINS PROPRIETARY INFORMATION AND SUCH INFORMATION MAY NOT BE DISCLOSED TO OTHERS FOR ANY PURPOSE OR USED FOR MANUFACTURING PURPOSES WITHOUT WRITTEN PERMISSION FROM AMPHENOL CANADA CORP.

UNLESS OTHERWISE SPECIFIED: DIMENSIONS ARE IN MILLIMETERS TOLERANCES ARE:		APPROVAL	DATE	Amphenol High Speed Interconnects A Division of Amphenol Corp. www.amphenol-highspeed.com	
DECIMALS	ANGLES	DRAWN ZLJ	SEP 22/09		
.X ±0.2	X° ±1°	CHECKED ZLJ	SEP 22/09	4X MIN SAS HD CAGE AND CONNECTOR ASSEMBLY	
.XX ±0.1	X.X° ±0.5°	QA APPR.			
		ME APPR.			
		DWG APPR. A.G.	SEP 22/09	SIZE	DWG. NO.
 DO NOT SCALE DRAWING		ENG. REL. NO.		P-U92-A1X0-1X0X-XX	REV K
		NSCM:		SCALE: 2:1	PROJECT: HD
					SHEET 2 OF 4

REVISIONS			
REV.	DESCRIPTION	DATE	APPROVED
F	SEE SHEET ONE	JUN 04/11	ZLJ

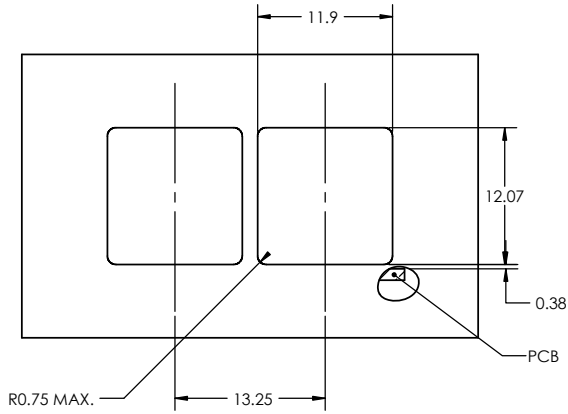


RECOMMENDED **SINGLE MOUNT**
PCB LAYOUT
COMPONENT SIDE SHOWN

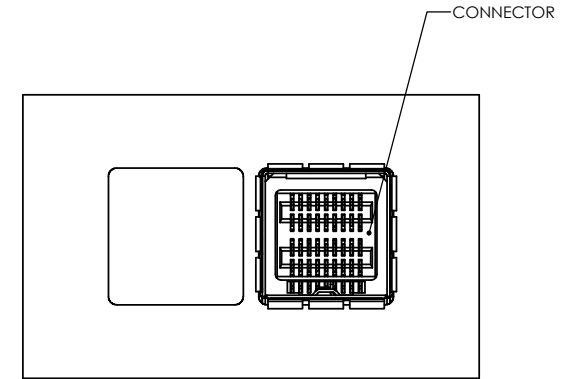
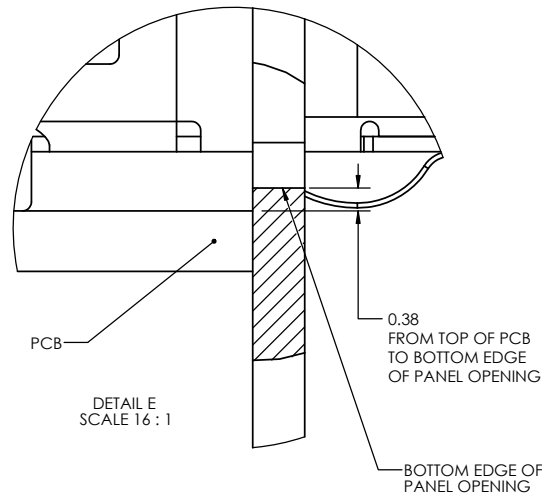
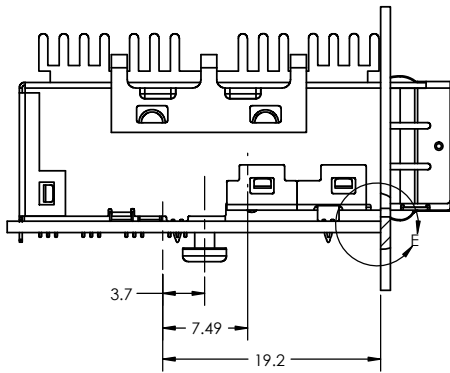
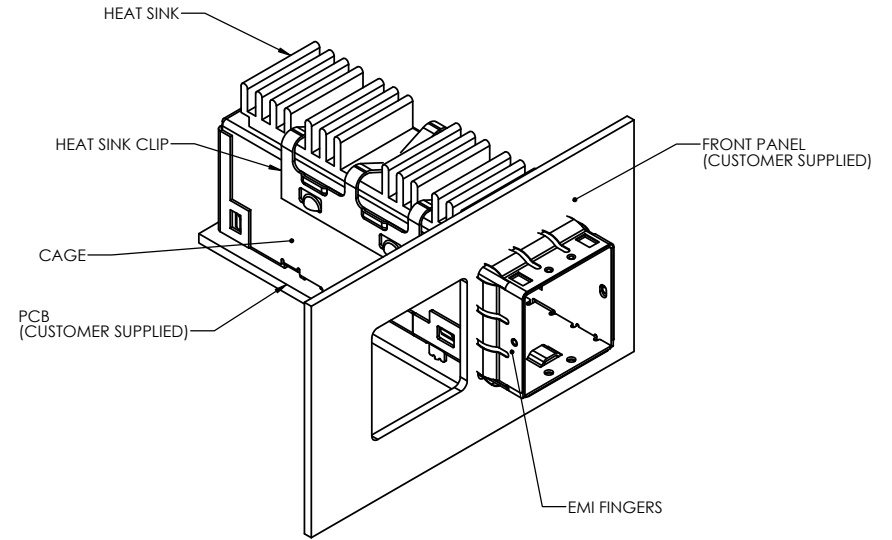


UNLESS OTHERWISE SPECIFIED: DIMENSIONS ARE IN MILLIMETERS TOLERANCES ARE:		APPROVAL	DATE	Amphenol High Speed Interconnects A Division of Amphenol Corp. www.amphenol-highspeed.com	
DECIMALS	ANGLES	ZLJ	SEP 22/09		
.X ±0.2	X° ±1°	CHECKED	SEP 22/09	4X MIN SAS HD CAGE AND CONNECTOR ASSEMBLY	
.XX ±0.1	X.X° ±0.5°	QA APPR.			
		ME APPR.			
		DWG APPR.	A.G.	SEP 22/09	
 DO NOT SCALE DRAWING		ENG. REL. NO.		SIZE	DWG. NO.
		NSCM:			P-U92-A1X0-1X0X-XX
				SCALE: 2:1	PROJECT: HD
				SHEET 3 OF 4	

REVISIONS			
REV.	DESCRIPTION	DATE	APPROVED
K	SEE SHEET ONE	MAY 15/12	ZLJ



RECOMMENDED PANEL CUTOUT FOR SINGLE LEVEL MOUNTING



NOTES:

1) MATERIAL

MAIN CAGE: PHOSPHOR BRONZE WITH NICKEL PLATING

HEAT SINK CLIP: STAINLESS STEEL

HEAT SINK: ALUMINUM, FOR PLATING INFO. SEE SHEET ONE

EMI FINGERS: PHOSPHOR BRONZE WITH NICKEL PLATING

MOUNTING SCREW: AISI 1010 STEEL

CONNECTOR HOUSING: LCP

CONTACTS: PHOSPHOR BRONZE, FOR PLATING INFO. SEE SHEET ONE

2) CONNECTOR AND CAGE ASSEMBLY ARE RoHS COMPLIANT



UNLESS OTHERWISE SPECIFIED:
DIMENSIONS ARE IN MILLIMETERS
TOLERANCES ARE:

DECIMALS	ANGLES
.X ±0.2	X° ±1°
.XX ±0.1	X.X° ±0.5°

APPROVAL	DATE
DRAWN: ZLJ	SEP 22/09
CHECKED: ZLJ	SEP 22/09
QA APPR:	
ME APPR:	
DWG APPR: A.G.	SEP 22/09
ENG. REL. NO.	

Amphenol High Speed Interconnects
A Division of Amphenol Corp. www.amphenol-highspeed.com

**4X MIN SAS HD
CAGE AND CONNECTOR
ASSEMBLY**

DO NOT SCALE DRAWING

NSCM:

SIZE	DWG. NO.	PROJECT	REV
	P-U92-A1X0-1X0X-XX	HD	K
SCALE: 1:1	PROJECT: HD		SHEET 4 OF 4