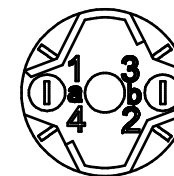
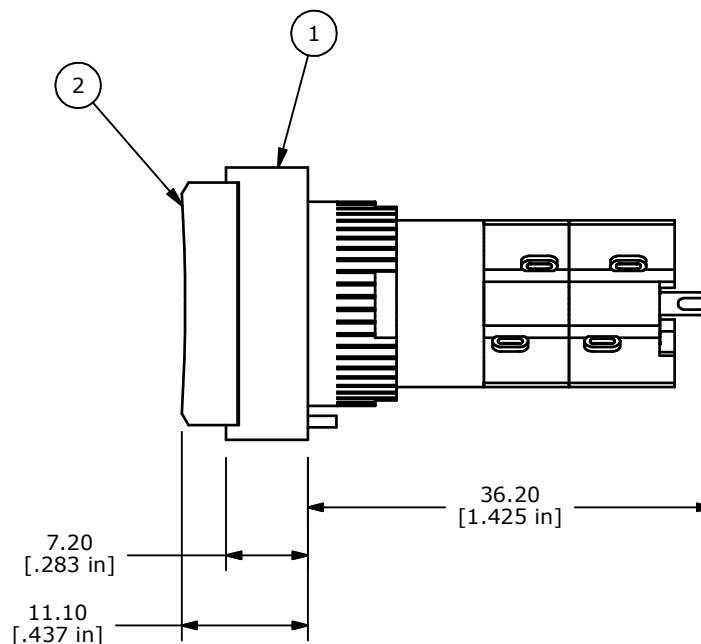
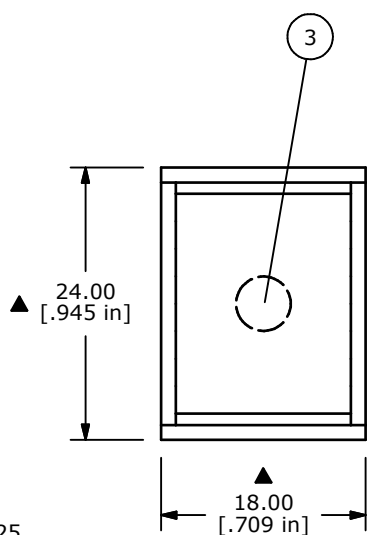
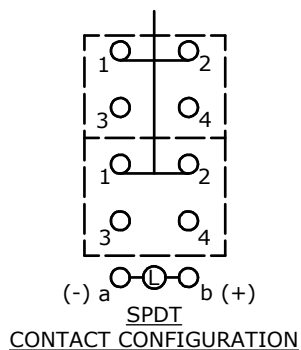


PARTS LIST			
ITEM	QTY	PART NUMBER	DESCRIPTION
1	1	F040023	D16EET12
2	1	F050201	50-002-04 BLUE OPAQUE RECTANGULAR CONCAVE
3	1	F050420	50-004-20 12VDC LED RED

PANEL MOUNTING



NOTE:

1. ALL DIMENSIONS IN MM [INCH]
2. GENERAL TOLERANCE: X.X=±0.4
X.XX=±0.25
3. TERMINAL NUMBERS FOR REF ONLY
4. MECHANICAL LIFE: 2,000,000 OPERATIONS
5. CONTACT RATING: 5A @ 250 VAC, 8A @ 125 VAC
6A @ 24 VDC
6. SEAL RATING: IP40
7. MOUNTING PANEL THICKNESS: 0.5 - 5.0 mm
8. INSULATION RESISTANCE: 1,000 MILLI-OHM MIN.
9. OPERATING TEMP.: -25°C to 55°C
10. TRAVEL: 3.0mm FULL, 2.0mm LATCH
- ▲11. LAMP VOLTAGE: 12VDC LED RED
12. ▲ DENOTES CRITICAL PARAMETER.
13. 2002/95/EC (ROHS) COMPLIANT.



A	18413	RELEASED FOR PRODUCTION	3/6/09	BLR
REV	PCR NO	DESCRIPTION	DATE	BY

TITLE D16EET12JREDBLU				
SCALE	DATE	DR	DWG	REV
1.5:1	3/6/2009	BLR	XF0788P	A

THE INFORMATION CONTAINED IN THIS DOCUMENT IS PROPRIETARY TO E-SWITCH AND IS NOT TO BE COPIED OR TRANSFERRED