

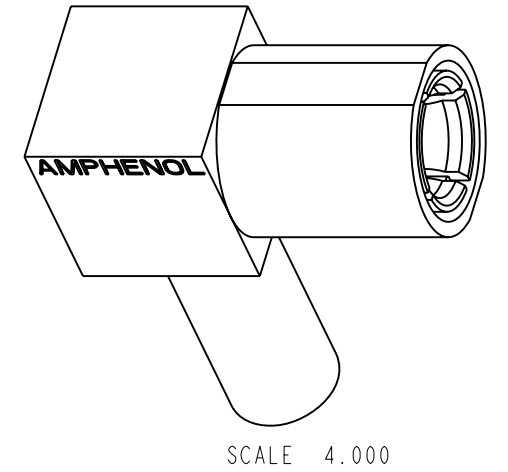
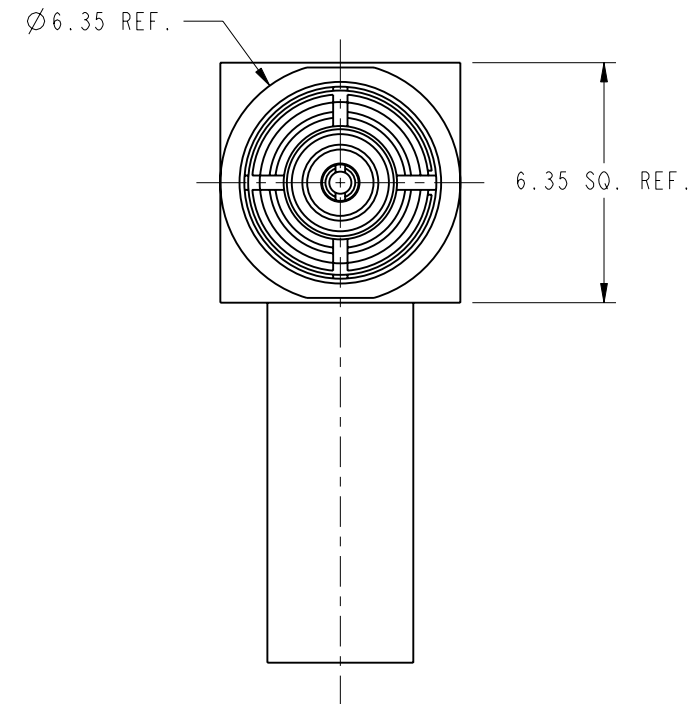
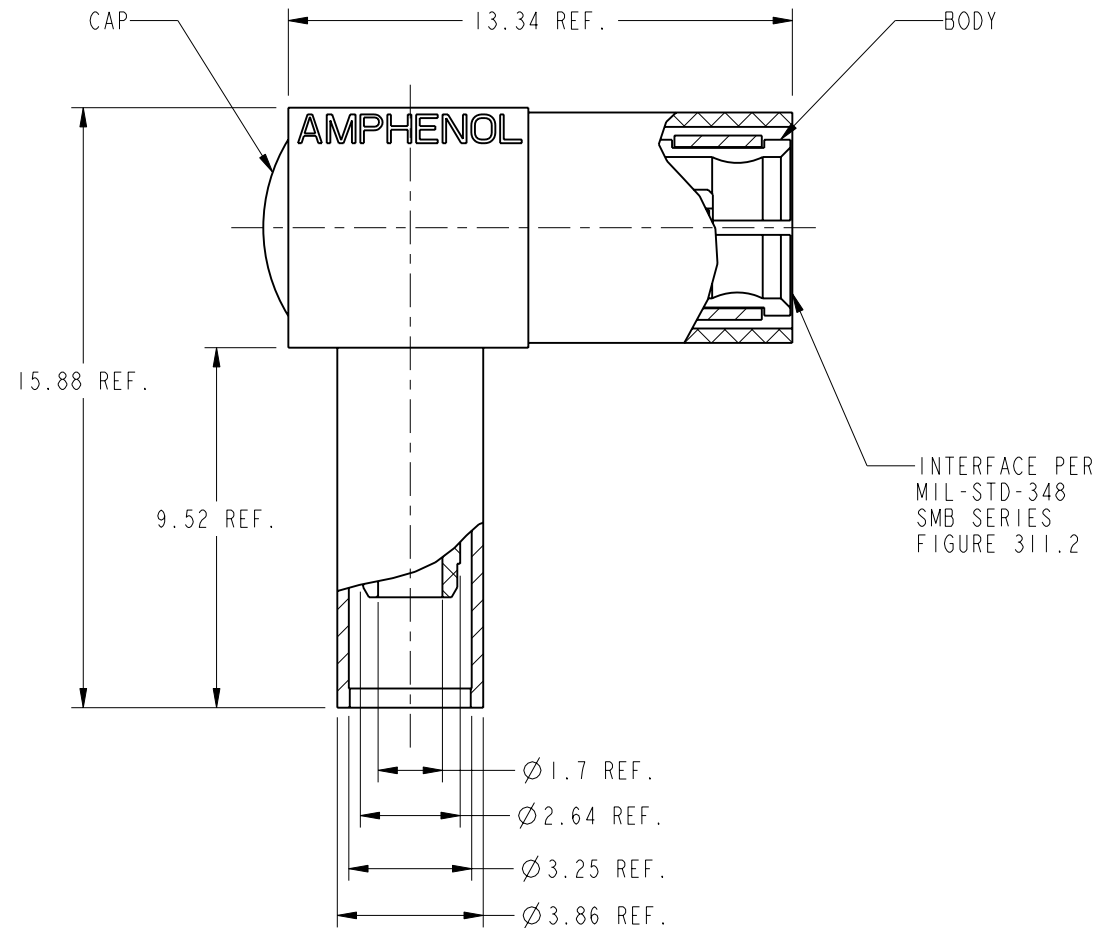
NOTES:

1. MATERIALS AND FINISHES:  
 BODY- BRASS, GOLD PLATING  
 HOUSING - ZINC DIECAST, NICKEL PLATING  
 CONTACT - BERYLLIUM COPPER, GOLD PLATING  
 INSULATOR - PTFE, NATURAL
2. ELECTRICAL:  
 A. IMPEDANCE: 50 OHM  
 B. FREQUENCY RANGE: DC 0 - 4 GHz  
 C. VSWR(RETURN LOSS): 1.35+.04f(GHz), MAX.  
 D. DIELECTRIC WITHSTANDING VOLTAGE: 1000 VRMS, MIN.
3. MECHANICAL:  
 A. DURABILITY: 500 CYCLES MIN.  
 B. TEMPERATURE RANGE: -65° C TO +165° C
4. FOR ASSEMBLY INSTRUCTIONS SEE AMPHENOL SPEC. 349-50521, SHEET 3

THIRD ANGLE PROJ.

REVISIONS

REV	DESCRIPTION	DATE	ECO	APPR
A	RELEASE TO MFG.	17-Apr-07	38489	SH
O	ADD NOTE 4/RD-DM08072901S1	08-Aug-08	47141	SH
R	CAP WAS CHANGED, BODY WAS CHANGED\RD-DM11030101TI	15-Mar-11	48113	SH



**CUSTOMER OUTLINE DRAWING**  
 ALL OTHER SHEETS ARE FOR INTERNAL USE ONLY

UNLESS OTHERWISE SPECIFIED, DIMENSIONS ARE IN METRIC AND TOLERANCES ARE: <0.5mm ±0.05mm    0.5 - 6mm ±0.1mm    6 - 30mm ±0.2mm    30 - 120mm ±0.3mm    ANGLES ±1°	MATERIAL	DRAWN	DATE	TITLE SMB 50 OHM R/A PLUG FOR RG-316/U	Amphenol RF www.amphenolrf.com	
	-	T.DENG	10-Mar-11			
NOTICE - These drawings, specifications, or other data (1) are, and remain the property of Amphenol corp. (2) must be returned upon request; and (3) are confidential and not to be disclosed to any person other than those to whom they are given by Amphenol Corp. the finishing of these drawings, specifications, or other data by Amphenol Corp., or to any other person to anyone for any purpose is not to be regarded by implication or otherwise in any manner licensing, granting rights to permitting such holder or any other person to manufacture, use or sell any product, process or design, patented or otherwise, that may in any way be related to or disclosed by said drawings, specifications, or other data.	REFERENCE	ENGINEER	DATE	SCALE: 5.0:1.0	SHEET 2 OF 2	
	EAR 111-961389 2, GEN# ASSYM18-SMB 615X-963-100 AGILENT# 1250-0872 REV C CONFIGURATION LEVEL:	P.BRENZEL	16-Sep-91		DWG SIZE	REV
	FINISH	S.HSIEH	15-Mar-11		B	R
		APPROVED	DATE	DRAWING NO. 903-350P-51A1		
		S.HSIEH	15-Mar-11	ITEM NO. 903-350P-51A1		
				PART NO. 903-350P-51A1		