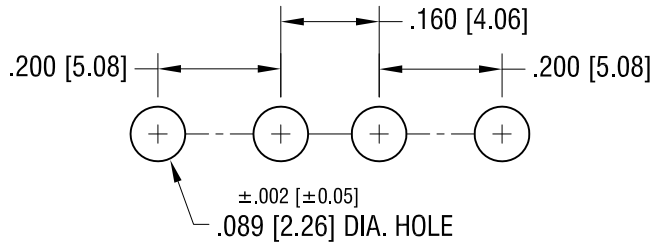
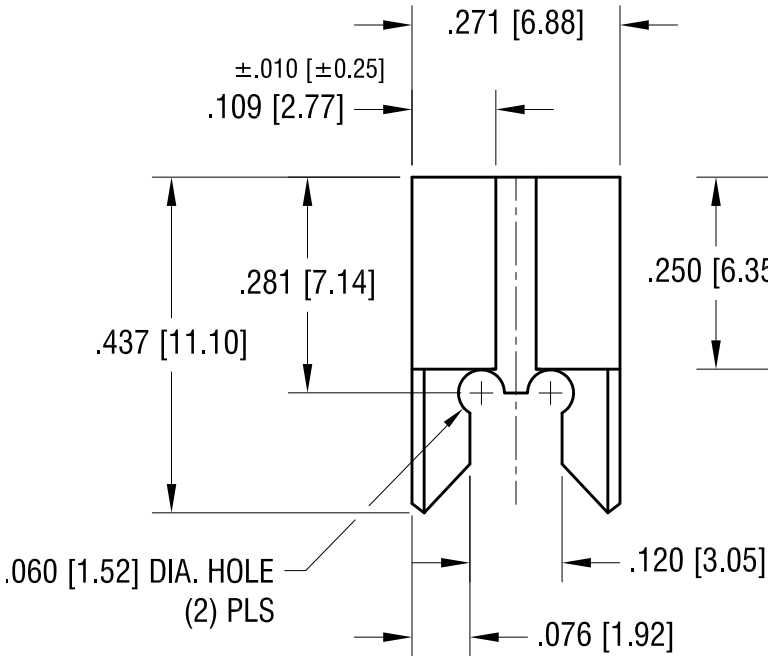
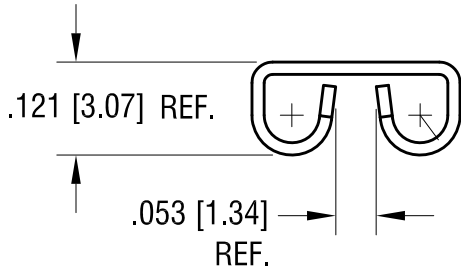
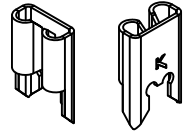


THIS DOCUMENT IS THE PROPERTY OF
KEYSTONE ELECTRONICS CORP. AND
SHALL NOT BE REPRODUCED, DISTRIBUTED
OR USED AS A BASIS FOR MANUFACTURE
WITHOUT PRIOR WRITTEN PERMISSION
FROM KEYSTONE ELECTRONICS CORP.

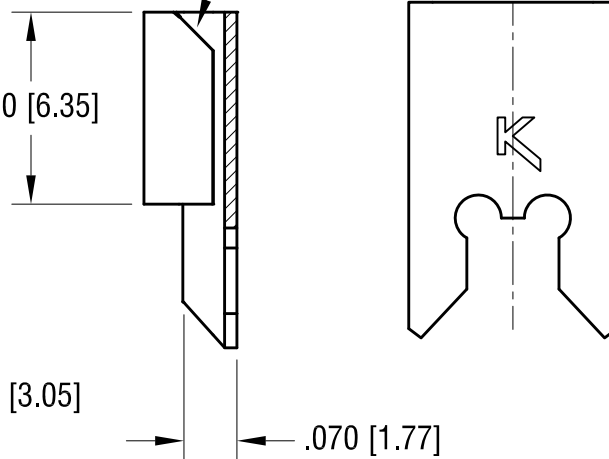
MOUNTING LAYOUT FOR TWO CLIPS



ACTUAL SIZE



LEAD CHAMFER



KEYSTONE ELECTRONICS CORP.

www.keyelco.com • ASTORIA, N.Y. 11105-2017 • Tel (718) 956-8900

PART NAME
.205 x .020 PC QUICK-FIT TERMINAL

MATERIAL
.016 [0.40] TH'K BRASS

FINISH TIN NICKEL PLATE	DRN BY BOONE	DATE 7.24.91
	APP'D LN	SCALE 4X

TOLERANCES INCH [MM] DECIMAL ± .005 [± 0.15] ANGULAR ± 1° UNLESS OTHERWISE SPECIFIED	CODE C	DWG NO. 3525
--	------------------	------------------------

9.05.12	CHANGE AS PER ECN 12-128	G
6.26.09	CHANGE AS PER ECN 09-087	F
9.23.04	CHANGE AS PER ECN 04-128	E
DATE	DESCRIPTION	REV.