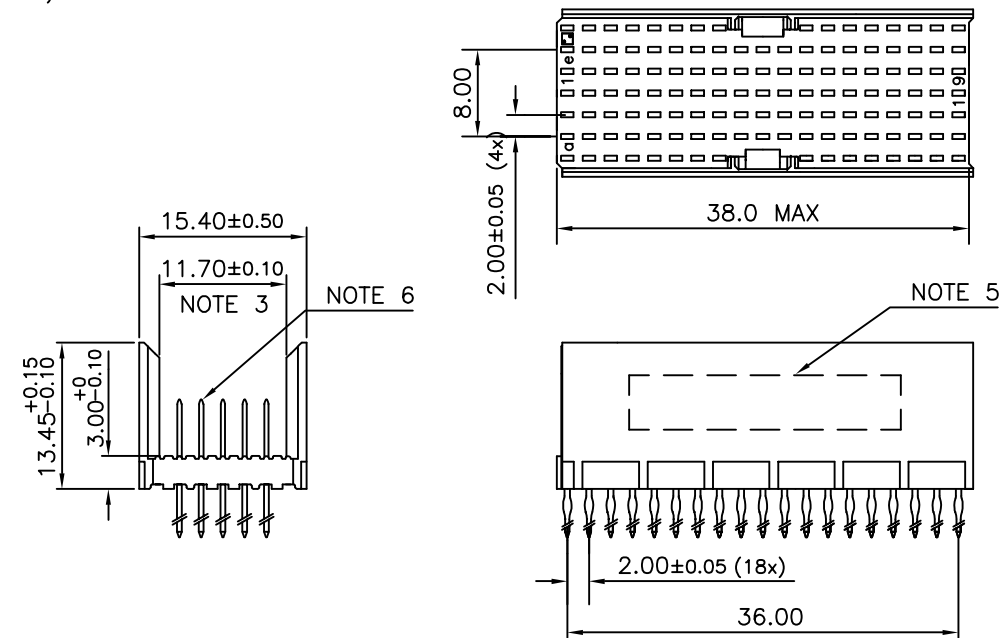


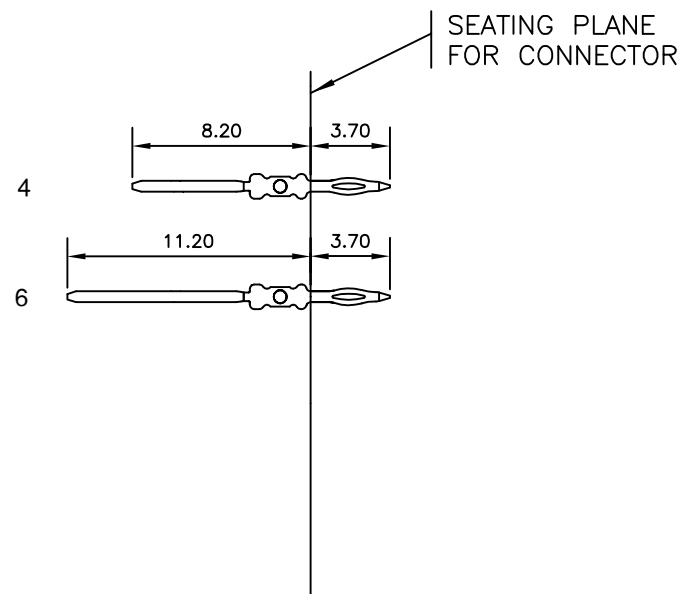
LOADING PATTERN MATING SIDE

f	0	0	0	0	0	0	0	0	0	0	0	0	0	0	0	0	0	0
e	4	4	4	4	4	4	4	4	4	4	4	4	4	4	4	4	4	4
d	4	4	4	4	4	4	4	4	4	4	4	4	4	4	4	4	4	4
c	4	4	4	4	4	4	4	4	4	4	4	4	4	4	4	4	4	4
b	4	4	4	4	4	4	4	4	4	4	4	4	4	4	4	4	4	4
a	6	6	6	6	6	6	6	6	6	6	6	6	6	6	6	6	6	6
z	0	0	0	0	0	0	0	0	0	0	0	0	0	0	0	0	0	0
POS	01																	
		05																
			10															
				15														
					19													

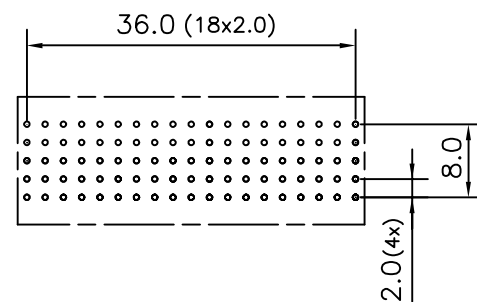
LOADED CONNECTOR ASSEMBLY
(FOR EXAMPLE)



CONTACT OVERVIEW



LAY-OUT P.C.B.-HOLE



HM2P67PDA3C0 **LEAD FREE INDICATOR : LF = LEAD FREE (DIGIT 15 & 16)**
PLATING CODE (DIGIT 13 AND 14)
 (REF DRW NO. BS,C , 201844 , 003)

NOTES

- THIS PRODUCT IS CSA APPROVED.
 - THIS PRODUCT IS UL RECOGNIZED.
 - MEASURED AT THE BOTTOM.
 - MATERIAL CONTACT: PHOSPHORBRONZE
HOUSING: CREAM WHITE GLASS FILLED POLYESTER UL-94V0
 - CONNECTOR PRINTED WITH P/N AND DATE CODE.
 - FOR ACTUAL CONTACT LOADINGS, SEE LOADING PATTERN MATING SIDE.
 - SHAPE OF CONNECTOR HOUSING CAN ALTER DEPENDING ON PRODUCTION LOCATION
 - THE PRODUCT (LF) MEETS EUROPEAN UNION DIRECTIVES AND OTHER COUNTRY REGULATIONS AS DESCRIBED IN GS-22-008
 - FOR RECOMMENDED PTH DIMENSIONS REFER DRAWING : BS, A , 201572 , 001
- CATALOG NO: HM2P67PDA3C0----

mat'l. code SEE NOTE 4				surface ISO 1302 ✓		tolerance ISO 406 ISO 1101		projection MM		product family MILLIPACS	
litr				ecn no		dr		date		title	
A				I03-0066		MINI		2003/11/14		MPACS 5+2R STR HDR PF CONN TYPE AB 19 POS.	
B				I05-0187		MINI		2005/10/08		scale -	
C				I06-0077		MINI		2006/06/24		sheet 1 of 1 size 5	
						dr		MINI K VANDANATH 2003/11/14		sheet 1 of 1 size 5	
						enr		BIJU K PAUL 2003/11/14		sheet 1 of 1 size 5	
						chr		BIJU K PAUL 2006/06/24		sheet 1 of 1 size 5	
						appd		BIJU K PAUL 2006/06/24		sheet 1 of 1 size 5	
sheet index		revision sheet		C		1				sheet 1 of 1 size 5	