

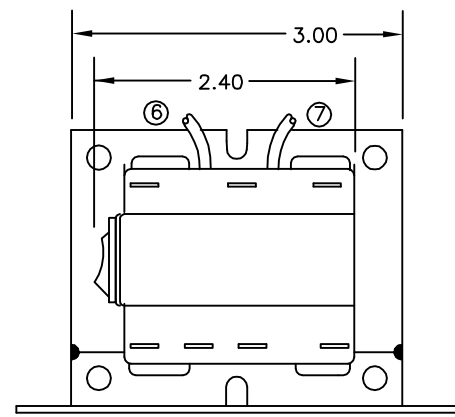
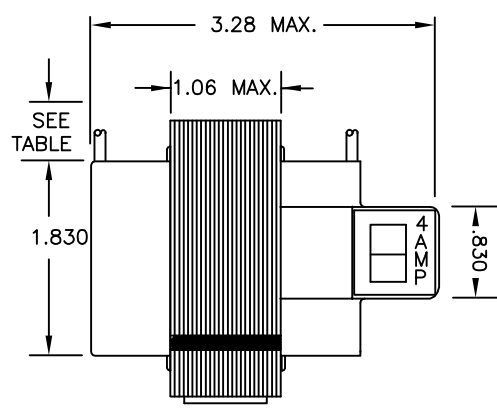
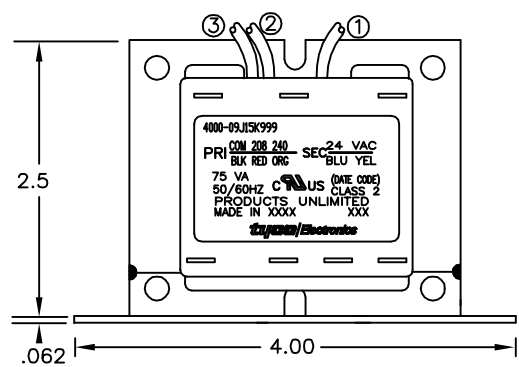
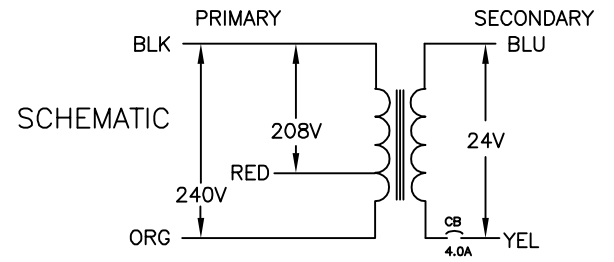
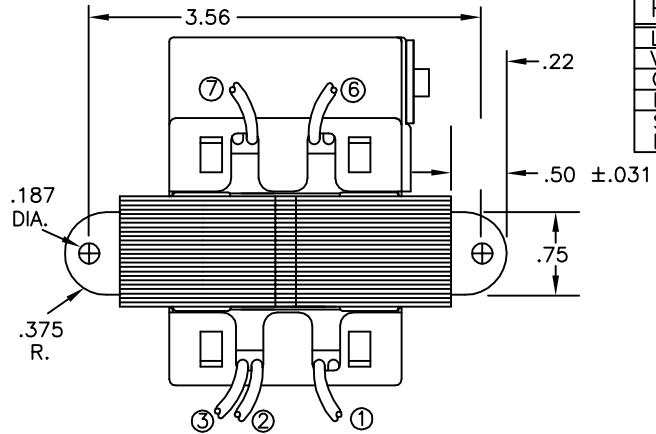
ALL LEADS 18AWG—UNLESS OTHERWISE SPECIFIED

PRIMARY					
LEAD NO.	1	2	3	4	5
VOLTAGE	COM	208	240		
COLOR	BLK	RED	ORG		
LENGTH	12.0	12.0	12.0		
STRIP LENGTH	.50	.50	.50		

- NOTES
1. DIMENSIONS FOR REFERENCE ONLY.
 2. ALL LEADS +1"/-0" TOL.
 3. STRIP TOL. ±1/32
 4. WINDING PROTECTION—INTERNALLY PROTECTED—4.0 AMP CIRCUIT BREAKER.

CERTIFICATION:
UL & CUL FILE NO. E87824

SECONDARY				
LEAD NO.	6	7	8	9
VOLTAGE	24	VAC		
COLOR	BLU	YEL		
LENGTH	12.0	12.0		
STRIP LENGTH	.50	.50		



THIS DRAWING IS A CONTROLLED DOCUMENT.

DWN	M.DAVIS	03FEB04	Tyco Electronics Corporation Harrisburg, Pa 17105-3608	
CHK	W.SORAH	03FEB04		
APVD	W.SORAH	03FEB04		
PRODUCT SPEC				
APPLICATION SPEC			NAME	TRANSFORMER OUTLINE
WEIGHT			SIZE	A3
CUSTOMER DRAWING			CAGE CODE	00779
			DRAWING NO	C=4000-09J15K999
			RESTRICTED TO	
			SCALE	NTS
			SHEET	1 OF 1
			REV	A