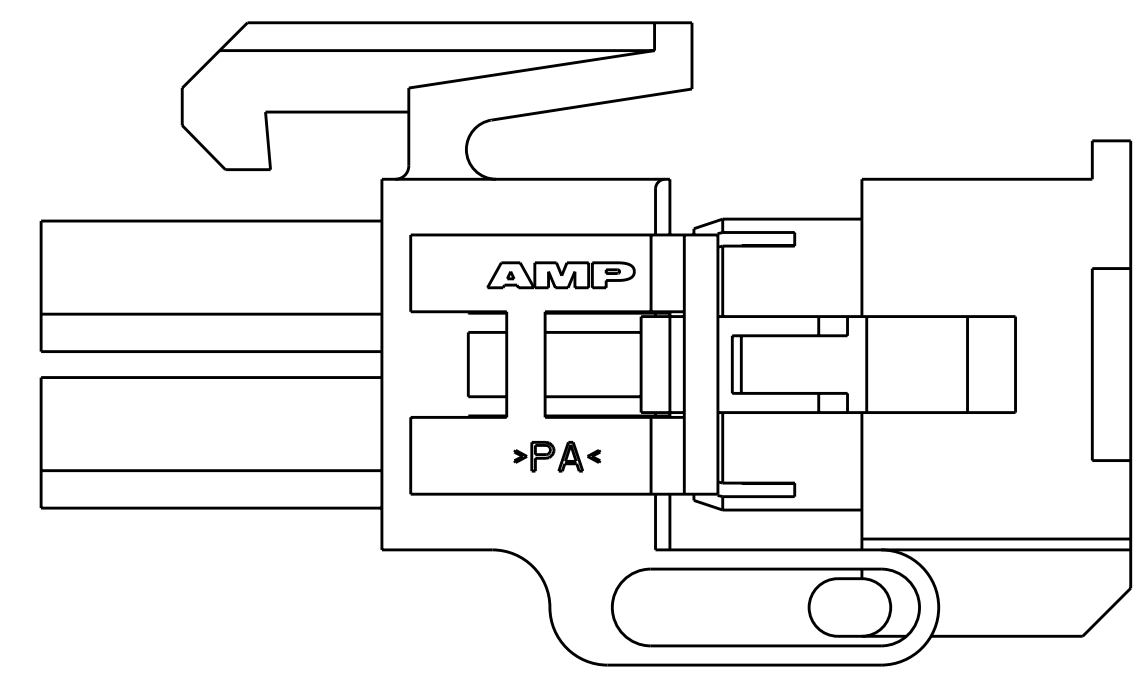
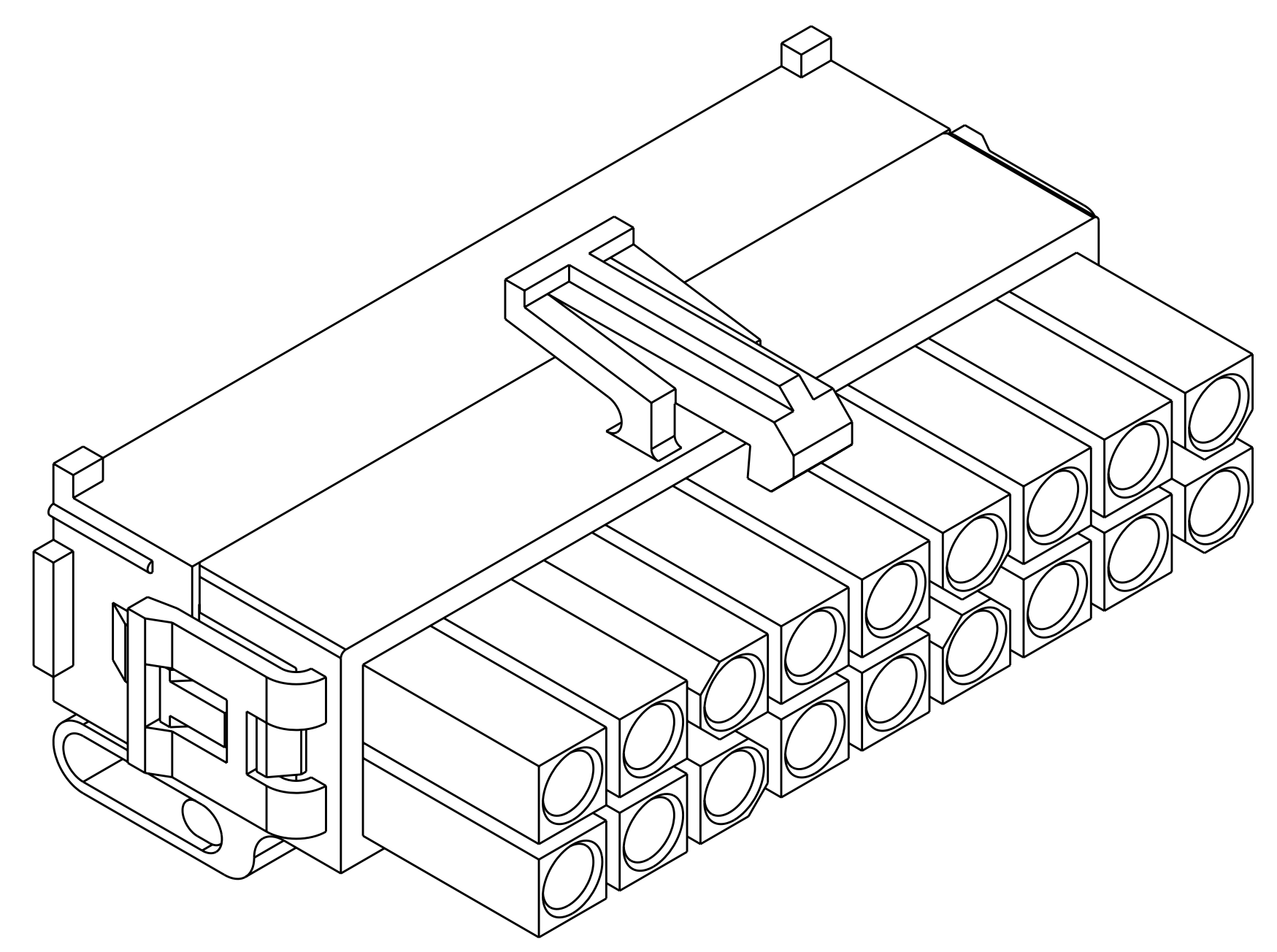
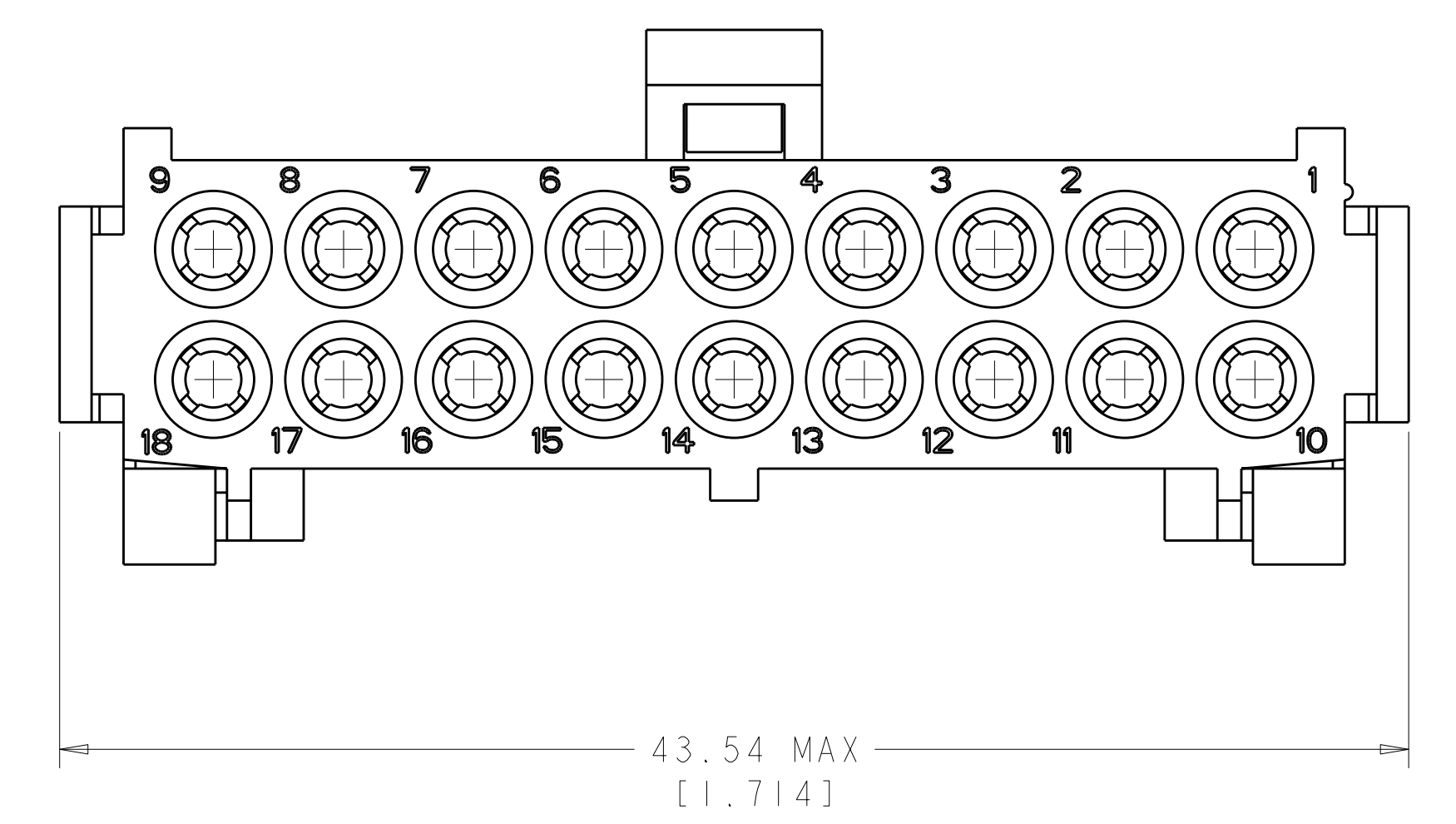
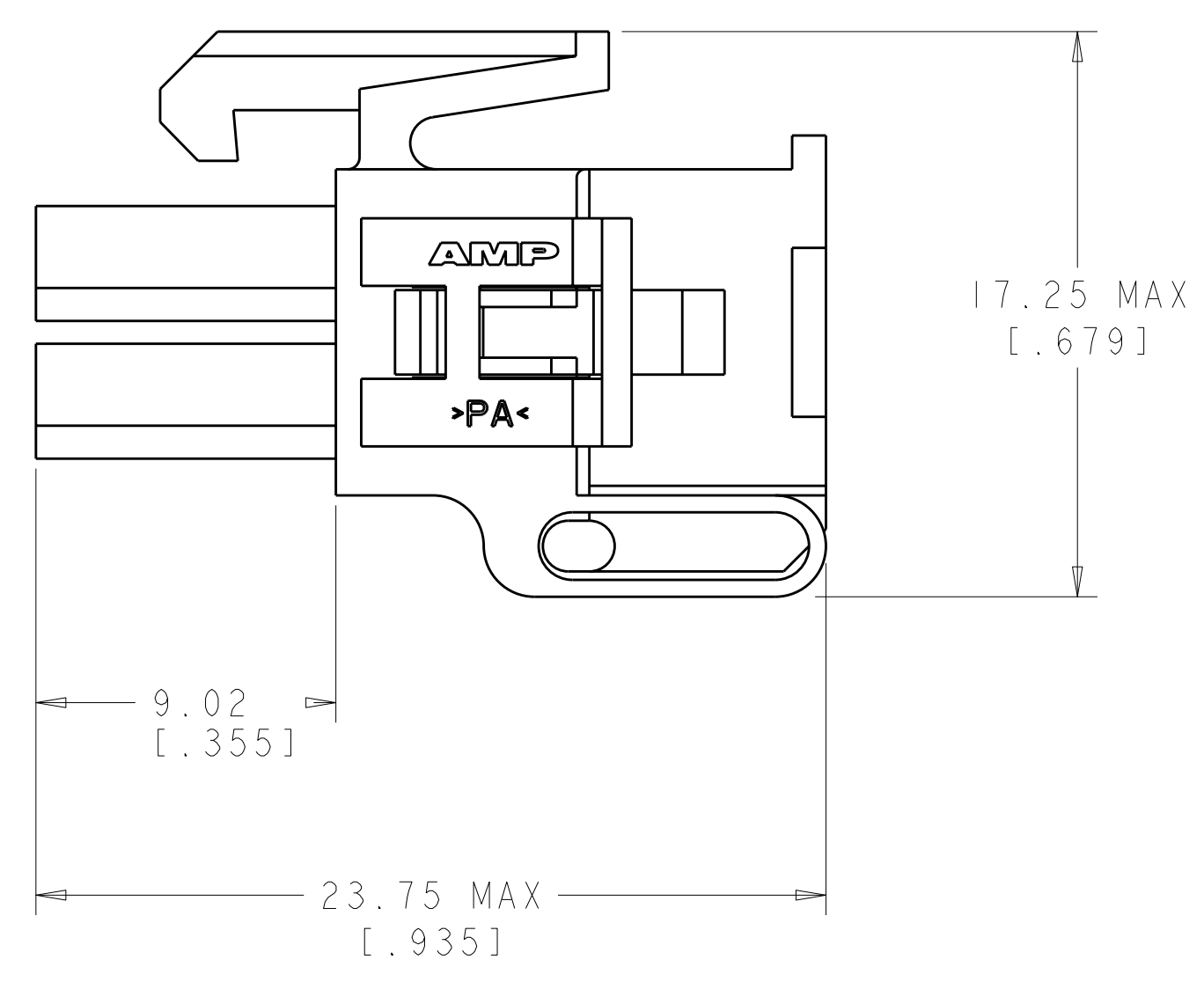
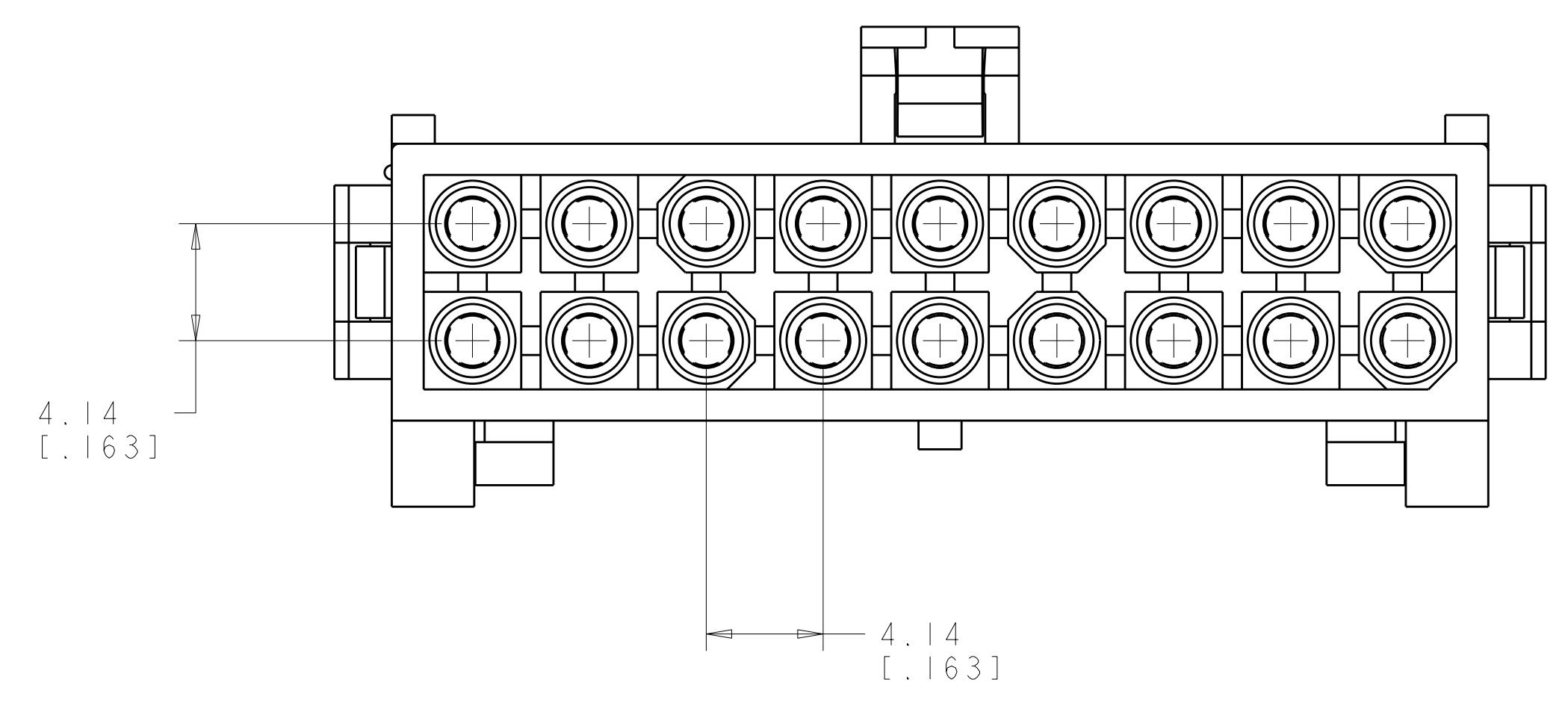


LOC		DIST		REVISIONS			
CM	00	P	LTR	DESCRIPTION	DATE	DWN	APVD
		C1		REVISED PER ECR 10-025344	23FEB11	JR	TM



PRE-STAGED CONDITION



0.296 IN <sup>3</sup>	794209-1
VOLUME	PART NUMBER

<small>THIS DRAWING IS A CONTROLLED DOCUMENT. FOR YOUR PROTECTIVE INFORMATION, IT IS SUBJECT TO CHANGE WITHOUT NOTICE AND WITHOUT OBLIGATION. SHOULD BE CONTACTED FOR THE LATEST REVISION.</small>		DWN: R. WHITAKER 01AUG2007 CHK: C. JONES 01AUG2007 APVD: C. JONES 01AUG2007	Tyco Electronics Harrisburg, PA 17105-3608
DIMENSIONS: mm [ INCHES ]	TOLERANCES UNLESS OTHERWISE SPECIFIED: 9 PLC ± 8 PLC ± 5 PLC ±0.13 (1.005) 4 PLC ± ANGLES ±40° 30'	NAME: PLUG, DUAL ROW, 18 CIRCUIT, MINI UNIVERSAL MATE-N-LOK(TM) 2 PRODUCT SPEC: APPLICATION SPEC: SIZE: CAGE CODE DRAWING NO: WEIGHT: A100779C=794208	RESTRICTED TO:
MATERIAL: NYLON UL 94V-0, NATURAL	FINISH:	CUSTOMER DRAWING	SCALE: 5:1 SHEET 1 OF 1 REV: C1

