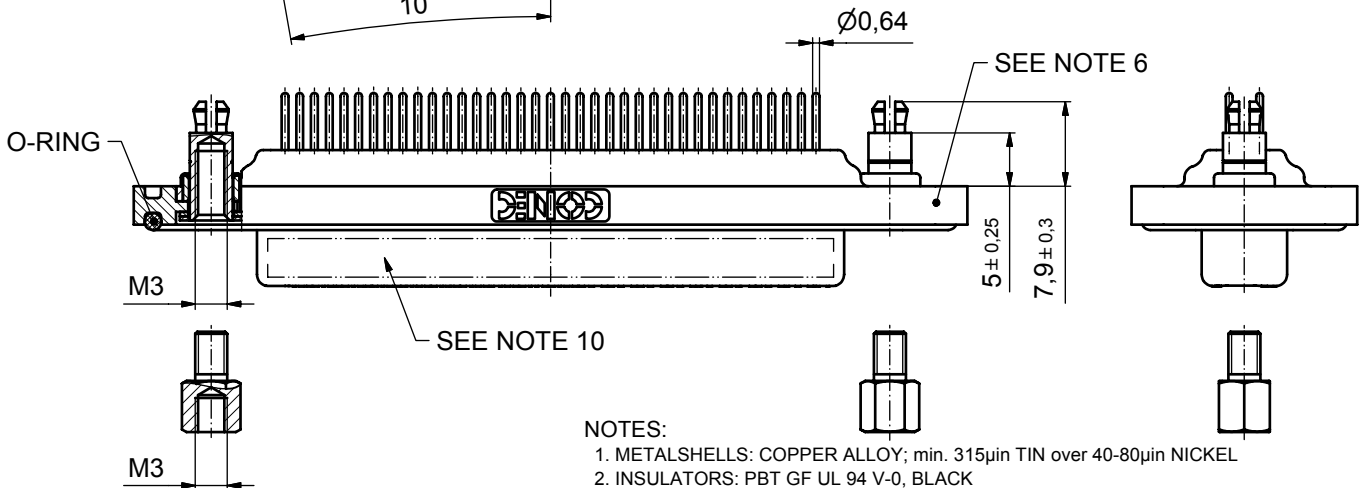
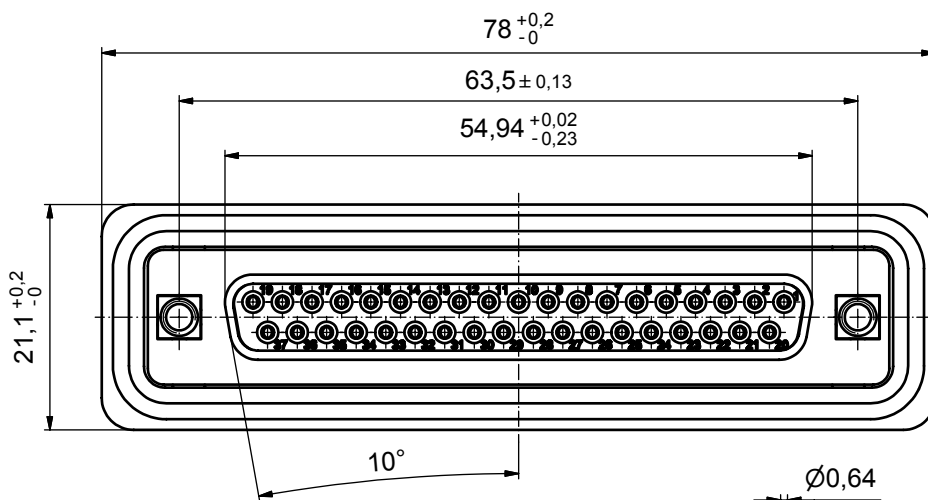
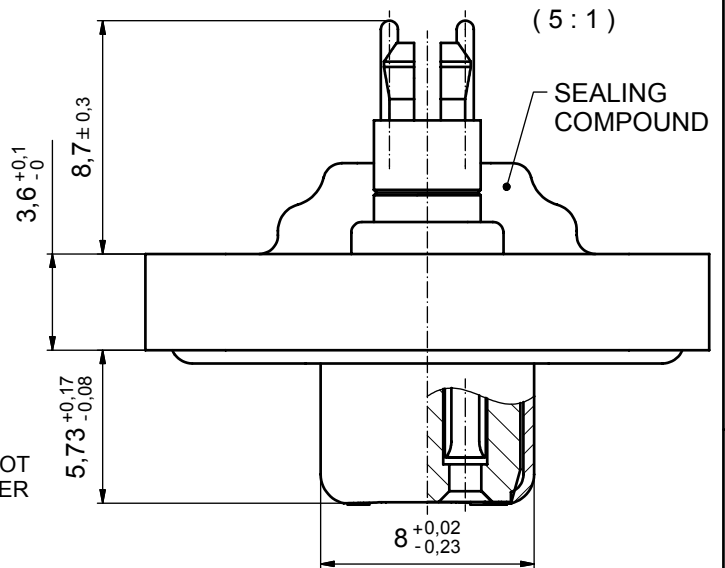


AT ALL TIMES WATER RESISTANT CONNECTORS NOT IN USE SHOULD BE COVERED WITH A CONEC WATER RESISTANT CAP OR WATER TIGHT HOOD.



**NOTES:**

- METALSHELLS: COPPER ALLOY; min. 315µin TIN over 40-80µin NICKEL
- INSULATORS: PBT GF UL 94 V-0, BLACK
- CONTACTS: COPPER ALLOY  
PLATING: 30µin HARD GOLD over min. 50µin NICKEL
- THREADED SPACER CLIP: COPPER ALLOY; min. 200µin TIN over 80µin NICKEL  
PCB-HOLE:  $\varnothing 3.1 \pm 0.1$ ; PCB THICKNESS 1.6mm
- COLLAR: COPPER ALLOY; min. 200µin TIN over 80µin NICKEL
- FRAME: ZINC DIE CAST; NICKEL PLATED
- HEXLOCKING SCREW: STAINLESS STEEL
- P.C.B. HOLE DRILLINGS ON SHEET 2
- RECOMMENDED TORQUE FOR MOUNTING SCREW 35Ncm (3.1 in.LB) / max.40Ncm (3.5 in.LB)
- CONNECTOR IS PART MARKED: 6STD37SCR99E10X CONEC ABC

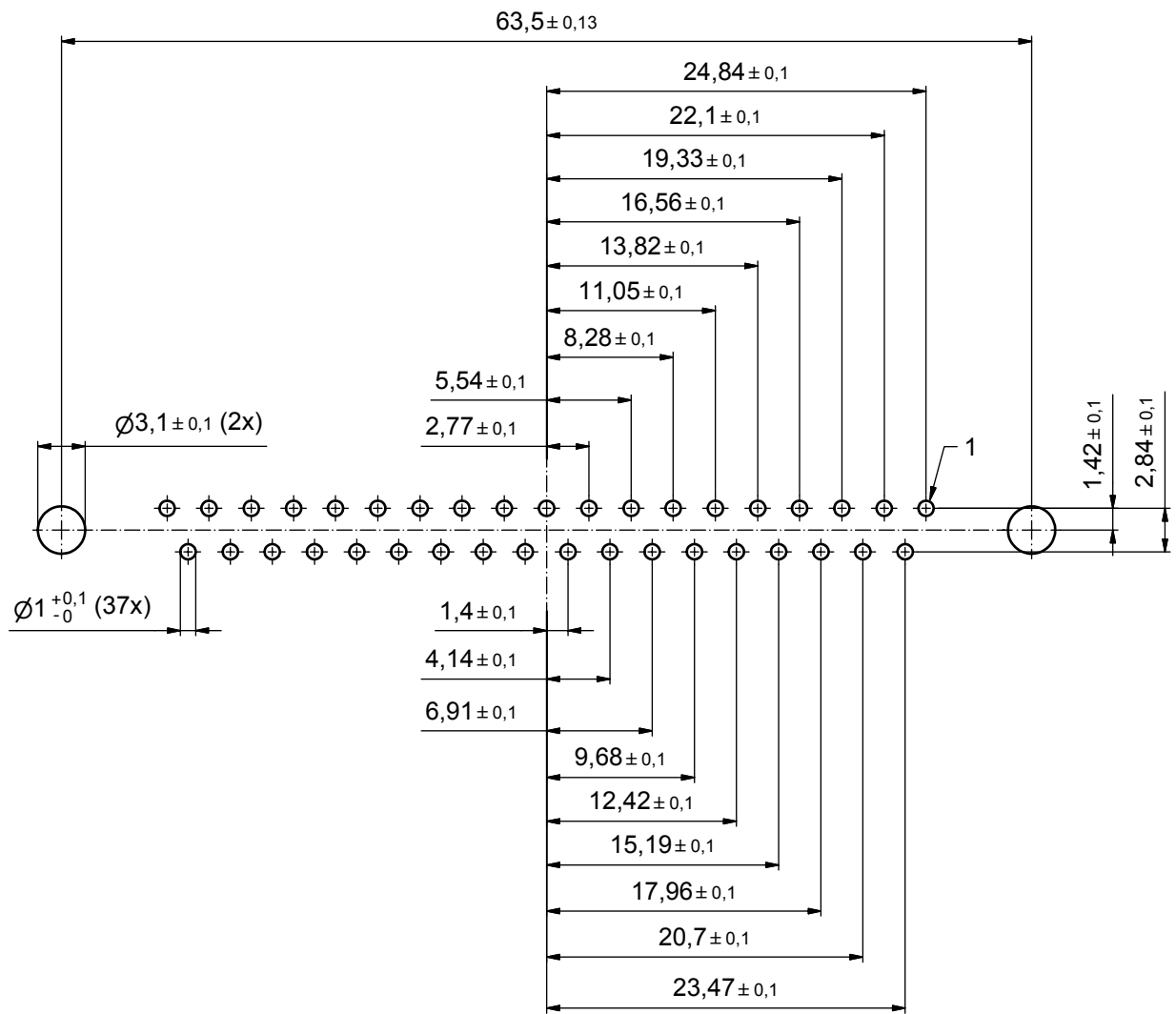
Directive 2002/95/EC  
RoHS  
Compliant

APPROVAL # FREIGABE # DEBLOCAGE # AUTORIZACION # APPROVAL	
CUSTOMER APPROVAL DATE:	
NAME:	TITLE:
COMPANY NAME:	
APPROVAL # FREIGABE # DEBLOCAGE # AUTORIZACION # APPROVAL	

THIS DRAWING MAY NOT BE COPIED OR REPRODUCED IN ANY WAY, AND MAY NOT BE PASSED ON TO A THIRD PARTY WITHOUT WRITTEN PERMISSION. OWNERSHIP AND COPYRIGHT OF CONEC GmbH			
DO NOT ALTER CAD DRAWING BY HAND			
rev.	description	date	name

tolerance	dim. in mm
date	name
drawn	02.07.08 Letzmenkühler
appd.	02.07.08 Fischer
norm	
d-old	
<b>CONEC</b>	

scale:	3:1	
material:	SEE NOTES	
title:		
<b>D-SUB FEMALE</b>		
37pos. SOLDER PIN STRAIGHT		
threaded spacer clip and hexlocking screw		
dwg no:	Inventor 10	DIN-A3
	15K1A249	sh: 1
part no:	6STD37SCR99E10X	



APPROVAL # FREIGABE # DEBLOCAGE # AUTORIZACION # APPROVAL	
CUSTOMER APPROVAL DATE:	
NAME:	TITLE:
COMPANY NAME:	
APPROVAL # FREIGABE # DEBLOCAGE # AUTORIZACION # APPROVAL	

THIS DRAWING MAY NOT BE COPIED OR REPRODUCED IN ANY WAY, AND MAY NOT BE PASSED ON TO A THIRD PARTY WITHOUT WRITTEN PERMISSION. OWNERSHIP AND COPYRIGHT OF CONEC GmbH DO NOT ALTER CAD DRAWING BY HAND				tolerance			
				date	name		
				drawn	02.07.08		Lehmenkühler
				appd.	02.07.08		Fischer
norm							
d-old							
a	Origin						
rev.	description	date		name			

scale:	3:1	
material:	SEE SHEET 1	
title:	P.C.B. HOLE DRILLINGS	
	D-SUB FEMALE 37pos. SOLDER PIN STRAIGHT threaded spacer clip and hexlocking screw	
dwg no:	Inventor 10	DIN-A3
	15K1A249	sh: 2
part no:	SEE SHEET 1	