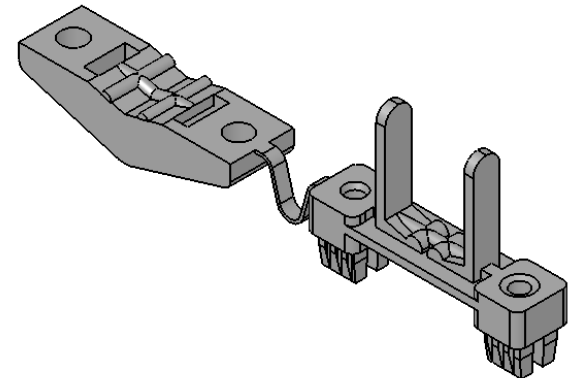
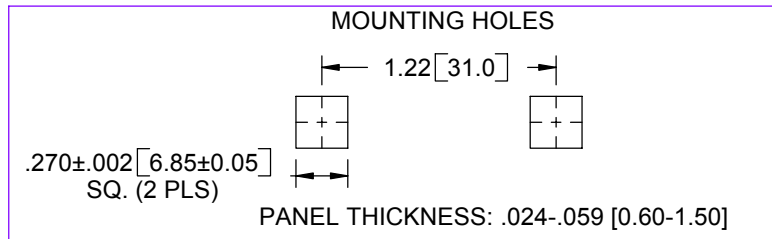
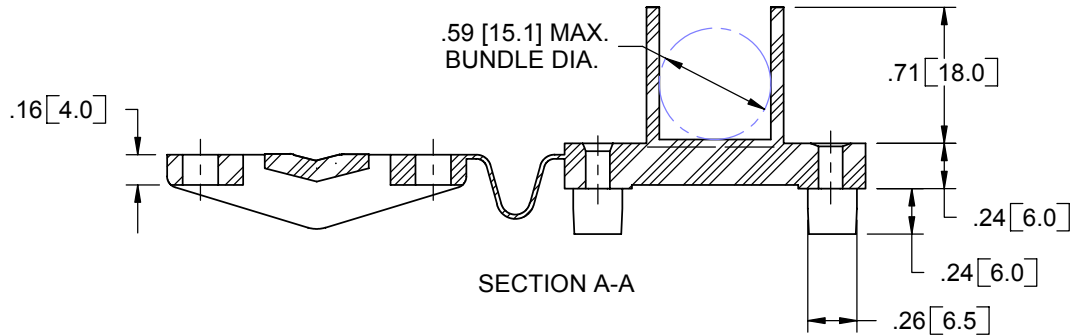
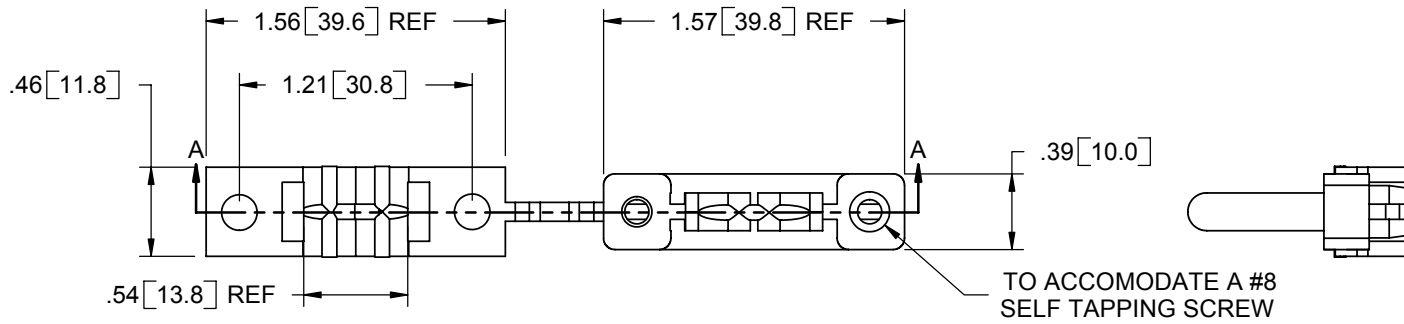


**AVAILABLE BY SPECIAL ORDER- NAFTA REGION ONLY**



- NOTES:  
 1. MATERIAL: NYLON 6/6 (RMS-01).  
 2. COLOR: NATURAL.  
 3. FLAME RETARDANT NYLON 6/6 (RMS-19),  
 AVAILABLE BY SPECIAL ORDER ONLY.  
 TO ORDER REPLACE "-01" WITH "-19"

C	REDRAWN, SEE ECN #976 FOR CHANGES	SK	04/07/05
-	SEE ENGINEERING FOR REV. A-B	-	----
REV.	DESCRIPTION	ENGR.	DATE

TITLE: <b>HINGED MAIN CABLE CLAMP</b>				DWG IN IN [MM]			
CREATED USING SOLIDWORKS		FILE #: HMCC-1	DWN: SK	APP: -		FINAL	
TOLERANCES UNLESS NOTED XX=±.010 XXX=±.005 FRAC.=±1/64 ANG.=±1°		SHEET: 1 OF 1	SHEET SIZE: A	DT: 04/07/05	CHKD: -	PART #	PRINT TYPE
RE: RICHCO, INC.		RICHCO, INC. ENG@RICHCO-INC.COM (773) 539-4060		HMCC-1-01		CA	