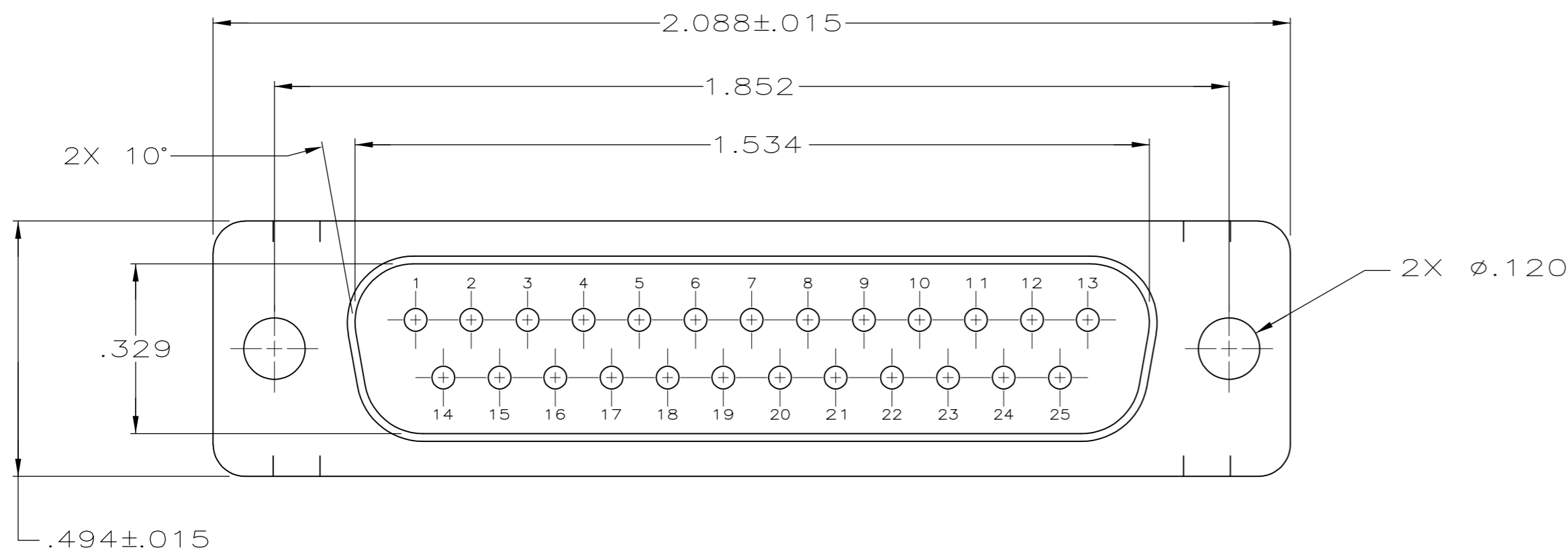
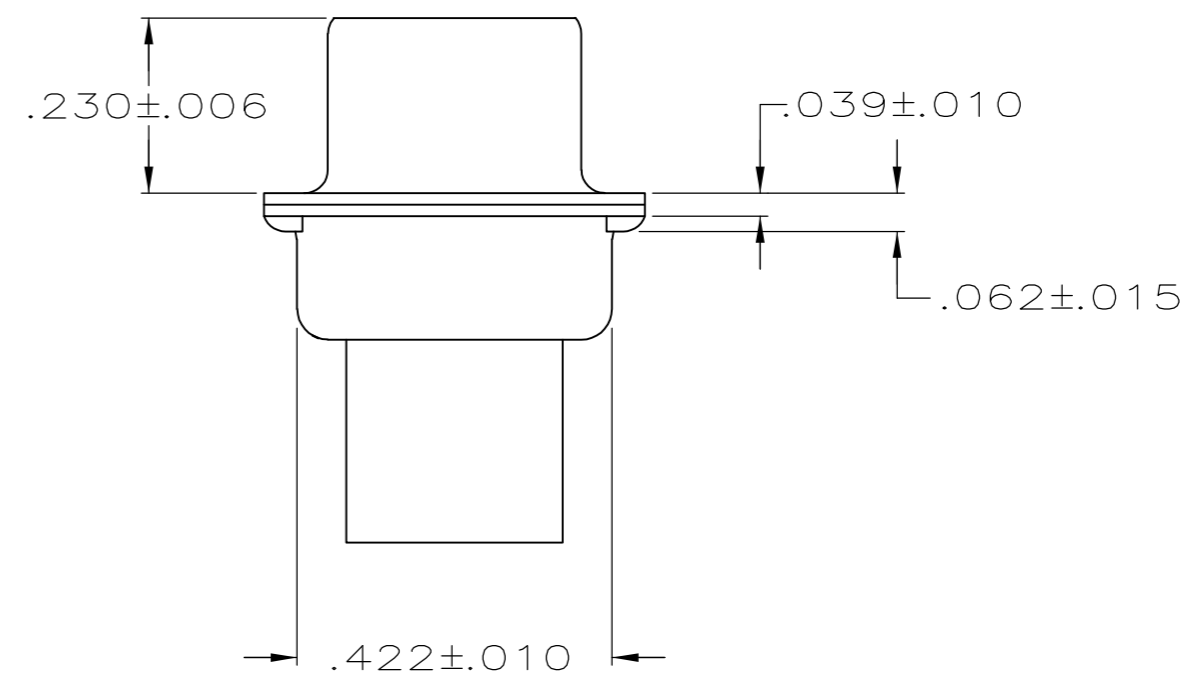
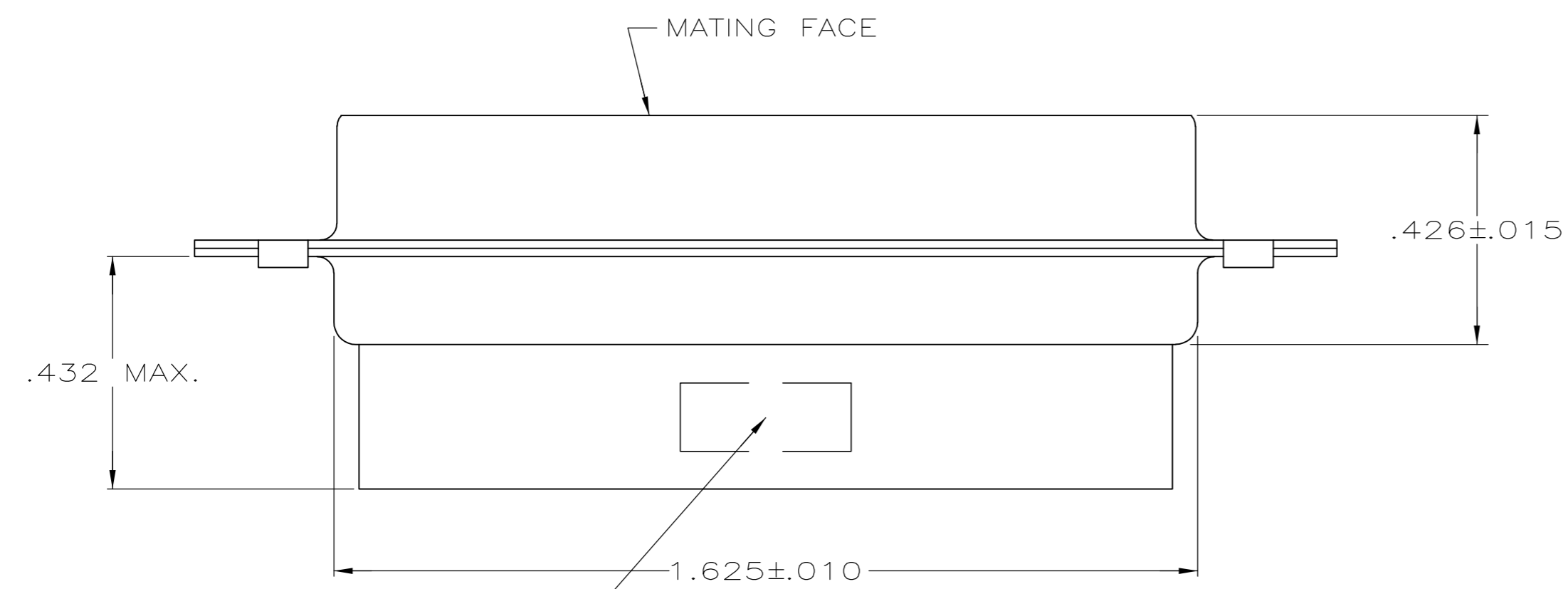


THIS DRAWING IS UNPUBLISHED. RELEASED FOR PUBLICATION
 © COPYRIGHT - By - ALL RIGHTS RESERVED.

LOC		DIST		REVISIONS			
P	LTR	DESCRIPTION	DATE	DWN	APVD		
GP	00	A	REVISED PER ECO-11-002006	11APR2011	CJV	CWR	



- CONNECTOR ACCEPTS SIZE 20 DF PIN CONTACTS, RETENTION TINES ARE AN INTEGRAL PART OF INSERT.
 - CONNECTOR COMPLIES WITH AMP SPEC. 108-40005 WHERE APPLICABLE.
- 3 MATERIAL:
 MOLDED PARTS: FLAME RETARDENT 94V-0 RATED GLASS FILLED NYLON, COLOR: BLACK.
 SHELLS: STEEL.
- 4 FINISH:
 SHELLS: ZINC PLATED .000200-.000400 THICK, YELLOW CHROMATE COATING.



"TYCO", PART NO. & DATE CODE, MARKED IN AREA INDICATED, ON FAR SIDE

**COPYRIGHT 2005
 TYCO ELECTRONICS CORP
 ALL RIGHTS RESERVED**

STANDARD	5205208-1
PACKAGING TYPE	PART NUMBER

THIS DRAWING IS A CONTROLLED DOCUMENT.		DWN	B. MCMASTER	08SEP05		TE Connectivity		
DIMENSIONS: INCHES		CHK	C. ROHDE	08SEP05		NAME		
TOLERANCES UNLESS OTHERWISE SPECIFIED:		APVD	M. WALMSLEY	08SEP05		PLUG CONNECTOR, SIZE 3, 25 POS., AMPLIMITE HDP		
0 PLC ± - 1 PLC ± - 2 PLC ± - 3 PLC ± .005 4 PLC ± - ANGLES ± 2°		PRODUCT SPEC	-			SIZE	A2	
MATERIAL	3	FINISH	4	WEIGHT	-	CAGE CODE	00779	
CUSTOMER DRAWING				SCALE	NTS	DRAWING NO	C=5205208	
				SHEET	1 of 1	RESTRICTED TO	-	
				REV	A			

5205208