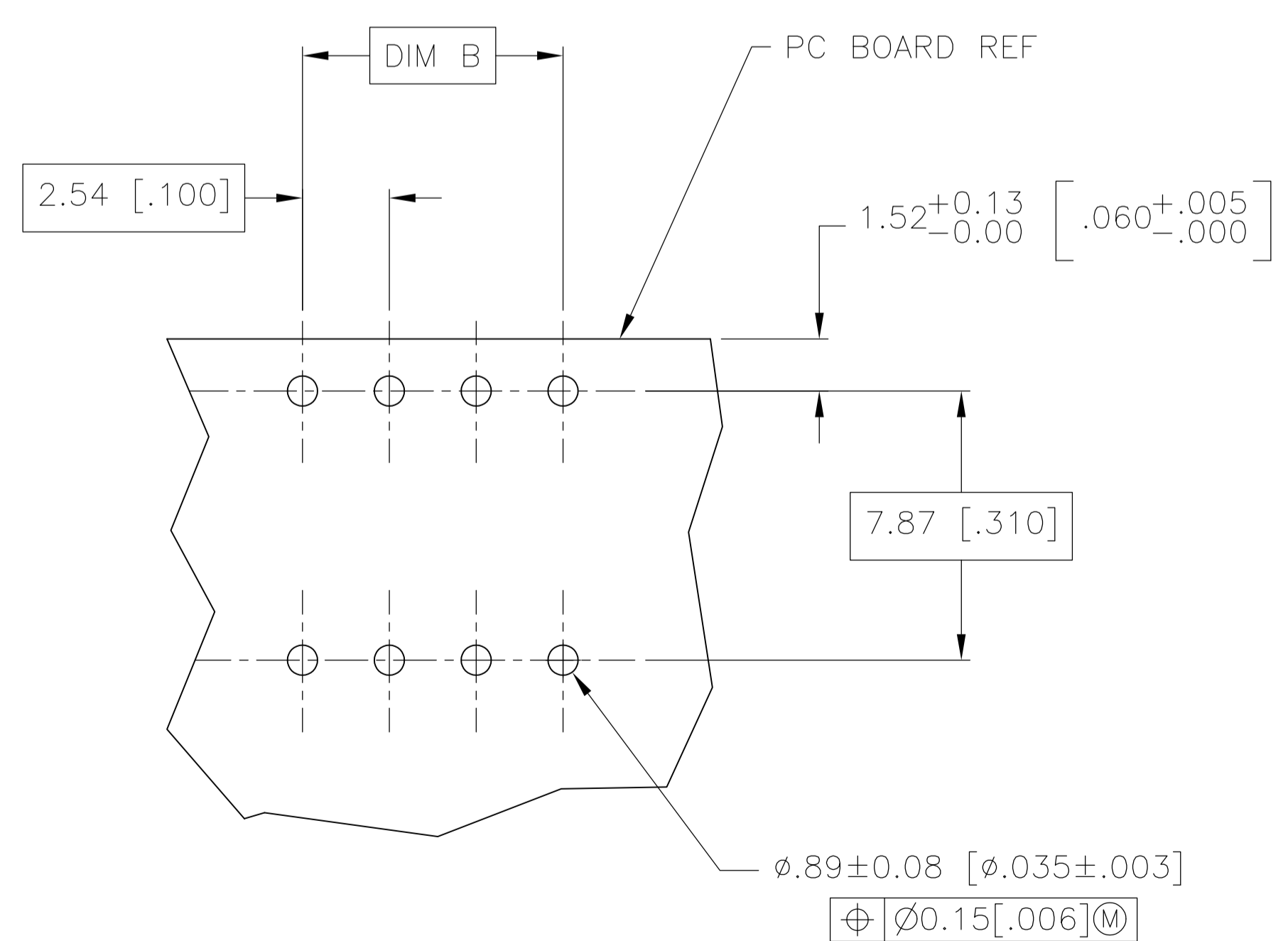
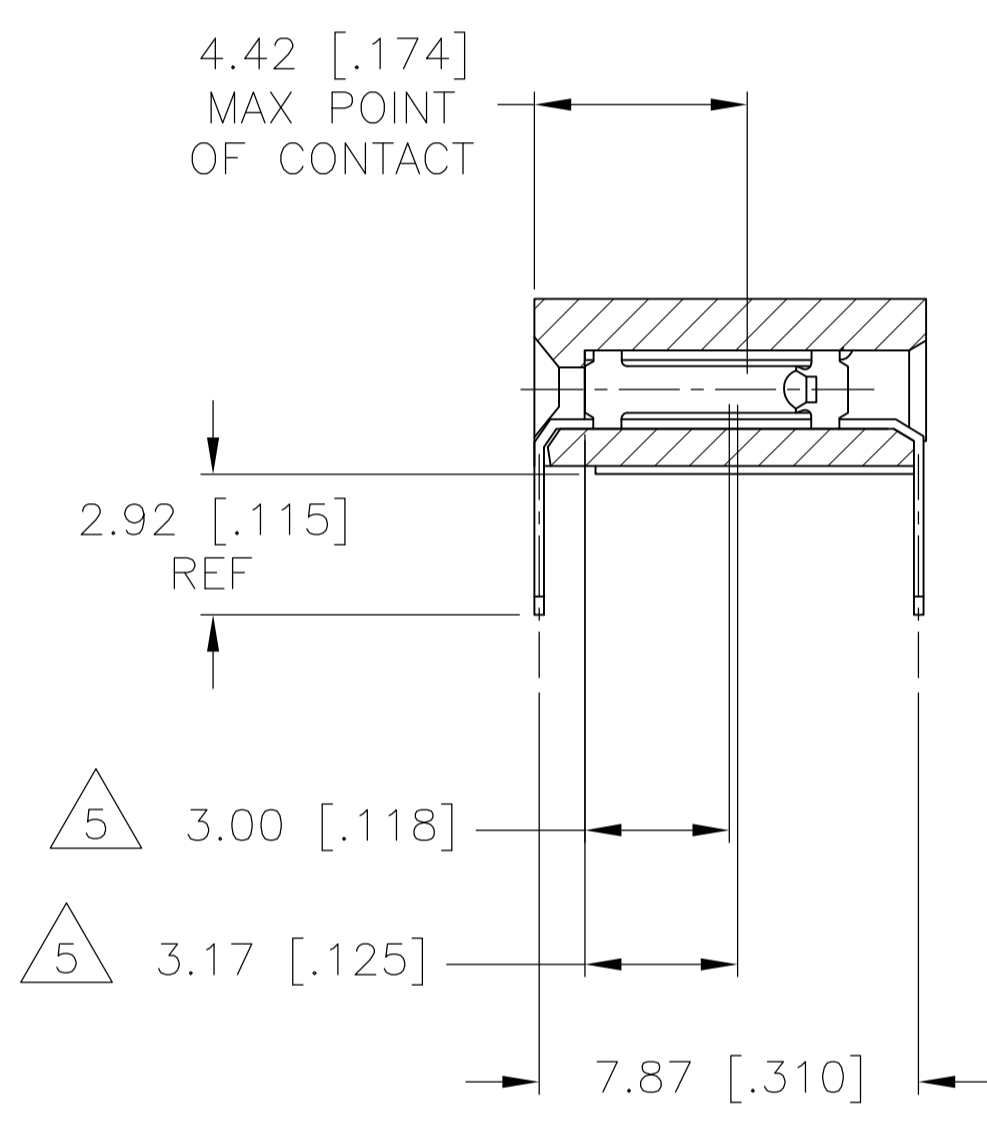
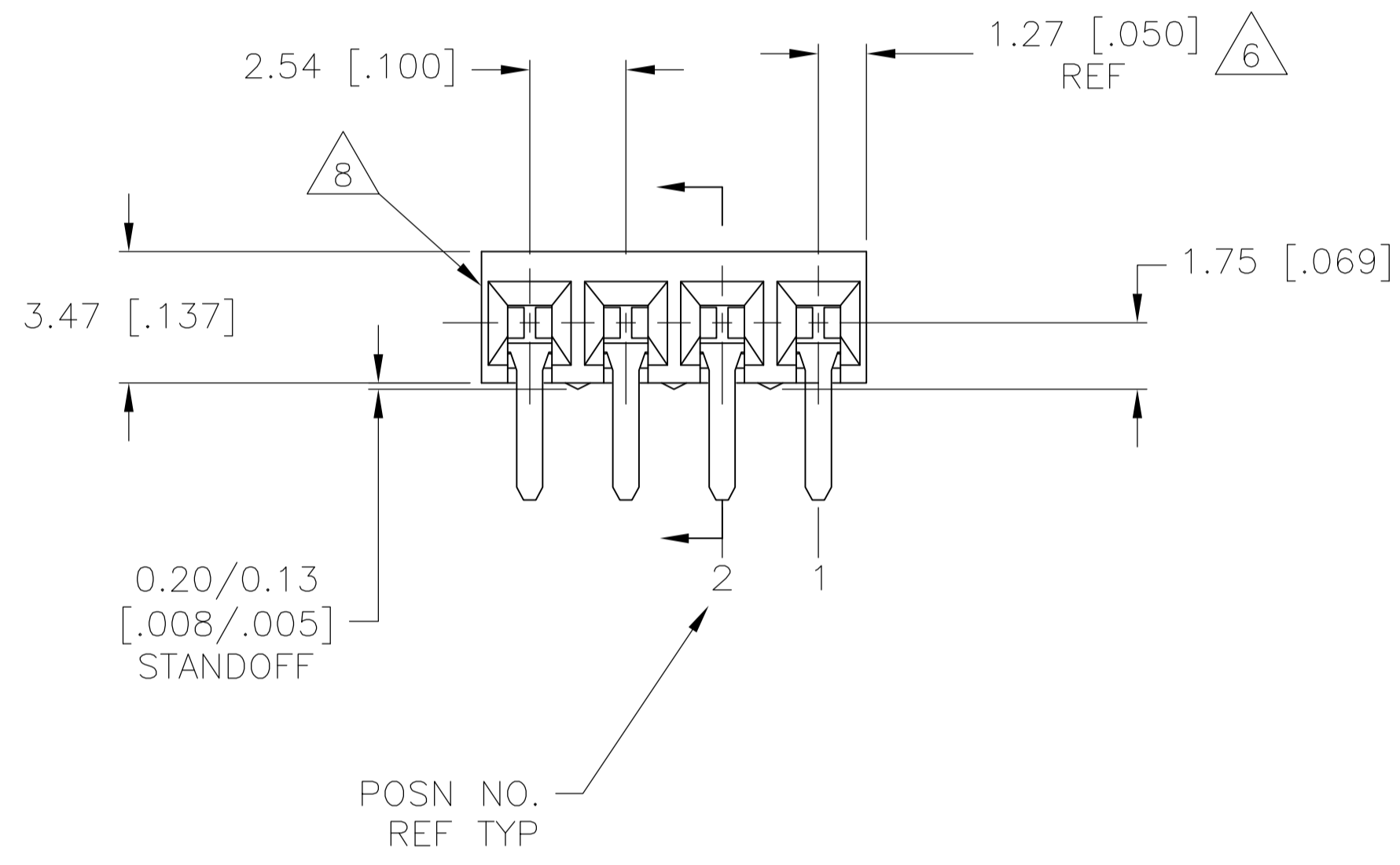


- 1 HOUSING MATERIAL: GLASS FILLED POLYESTER, COLOR- BLACK
- 2 CONTACT MATERIAL: PHOSPHOR BRONZE
- 3 CONTACT FINISH: 0.00025[.000010] THK DUPLEX PLATED GOLD ON CONTACT AREA, 0.00127[.000050] MIN THK BRIGHT TIN-LEAD OR TIN ON SOLDERLEADS, ALL OVER 0.00127[.000050] NICKEL
- 4 MOLDED IN ARROW DESIGNATES THE MATING FACE OF THE CONNECTOR
- 5 POINT OF MEASUREMENT FOR PLATING THICKNESS OF CONTACT AREA
- 6 DIMENSIONS PERTAIN TO HOUSING CAVITY CENTERLINES
- 7 DATE CODE AND PART NUMBER MARKED IN APPROXIMATE LOCATION SHOWN.
- 8 PIN #1 INDICATOR, WHITE DOT



RECOMMENDED PC BOARD LAYOUT

17.78 [.700]	20.32 [.800]	8	1977215-7
B	A	NO. OF POSN	ASSEMBLY PART NUMBER

THIS DRAWING IS A CONTROLLED DOCUMENT.		DIN M. BINNER 01NOV07	Tyco Electronics Corporation Harrisburg, PA 17105	
DIMENSIONS: 1/16		CHK J. OLSON 01NOV07	NAME AMPMODU MOD II RECEPTACLE ASSEMBLY, HORIZONTAL, .100 CL, SINGLE ROW, CLOSED-ENTRY, SHORT POINT OF CONTACT, END-TO-END STACKABLE	
TOLERANCES UNLESS OTHERWISE SPECIFIED:		APVD J. OLSON 01NOV07	PRODUCT SPEC	
0 PLG	± .005	APPLICATION SPEC		
1 PLG	± .005	SIZE CAGE CODE DRAWING NO		
2 PLG	± .005	WEIGHT		
3 PLG	± 0.13 [.005]	A1 00779 C=1977215		
4 PLG	± .005	CUSTOMER DRAWING		
ANGLES	± .005	SCALE 5:1 SHEET 1 OF 1 REV A		