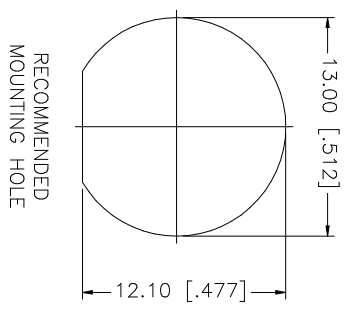
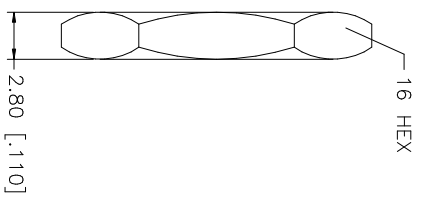
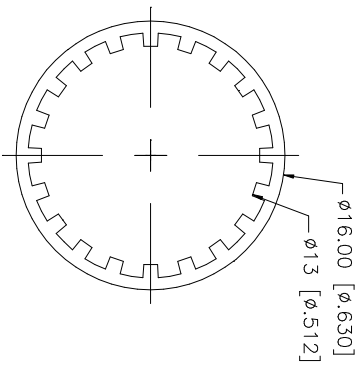
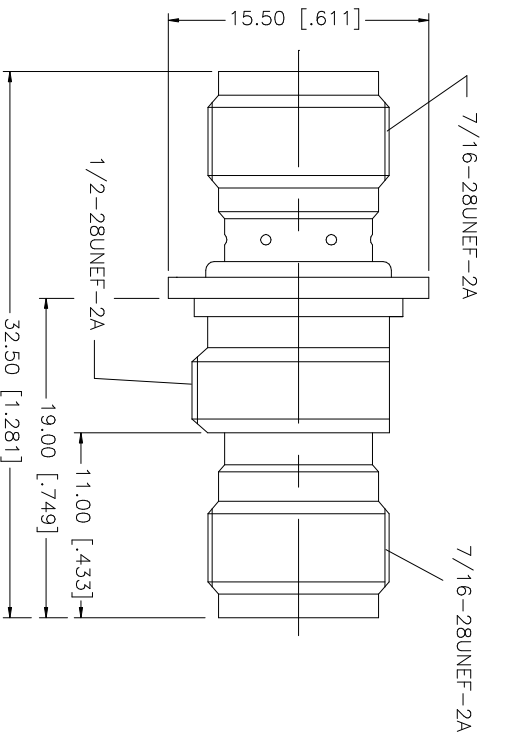


REV.	DATE
NC	05/31/06

DESCRIPTION  
INITIAL RELEASE



NO.	DESCRIPTION	MATERIAL	FINISH	QTY
8				
7				
6	HEX NUT	BRASS	NICKEL	1
5	LOCK WASHER	BRASS	NICKEL	1
4	CONTACT PIN	PHOS. BRONZE	GOLD	1
3	INSULATOR	DELFIN	NATURAL	2
2	BODY	BRASS	NICKEL	1
1	DESCRIPTION			

UNLESS OTHERWISE SPECIFIED DIMENSIONS ARE IN MILLIMETERS. DIMENSIONS IN [ ] ARE IN INCHES AND FOR SUBSTITUTED REFERENCE ONLY.	
TOLERANCES FOR MILLIMETERS ARE:	
0.5 - 8mm	± 0.20mm
8 - 30mm	± 0.40mm
30 - 120mm	± 0.50mm
UNLESS OTHERWISE SPECIFIED TOLERANCES FOR INCHES ARE:	
.020 - .315	± 0.007"
.315 - 1.180	± 0.015"
1.180 - 4.724	± 0.020"
DO NOT SCALE DRAWING	

APPROVALS	DATE
DRAWN G.R.S.	05/31/06
CHECKED	
ISSUED	
SHEET 1 OF 1	

CAD FILE	C:/122/122346.DWG
DWG. NO.	122346.DWG
REV.	NC
SIZE	A
SCALE	NA

**Amphenol Connex**

TNC FEMALE TO FEMALE BULKHEAD ISOLATED ADAPTER

122346