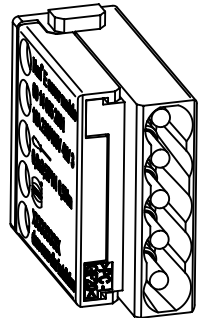
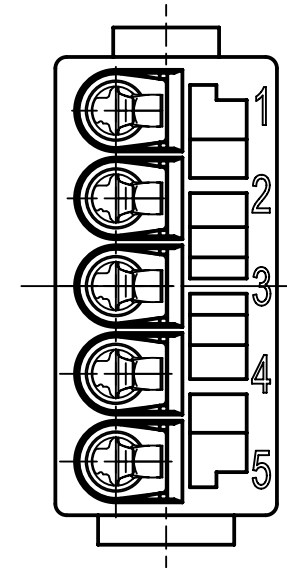
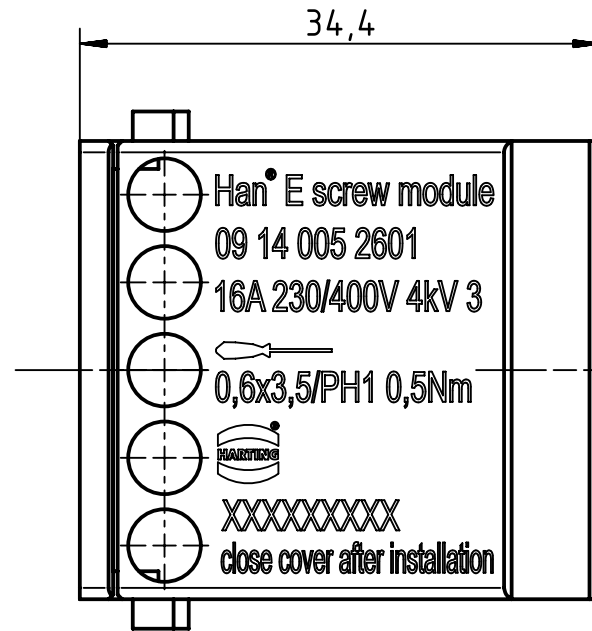
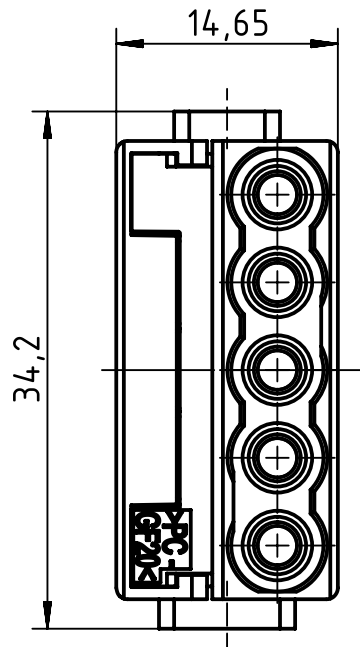
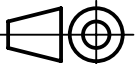



1 2 3 4 5 6

A  
B  
C  
D



 All Dimensions in mm Original Size DIN A4	Scale	Free size tol.			Ref.
	2:1				Sub.
 All rights reserved Department EL PD - DE	Created by	Inspected by	Standardisation	Date	State
	MOELLERLI	RUETERA	TIEMANNA	2013-10-30	Final Release
HARTING Electric GmbH & Co. KG D-32339 Espelkamp	Title				Doc-Key / ECM-Nr.
	Han E-screw module-m				100230346/UGD/003/D 500000067931
Type		Number		Rev.	Page
TB		09 14 005 2601		D	1/1