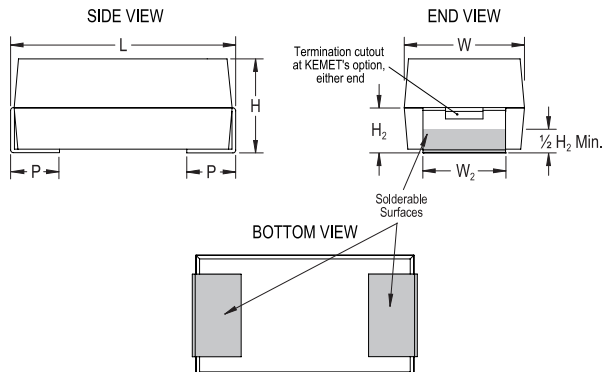


**KEMET Part Number: CWR11HH226JD**  
(T492D226J015DH)

T492\_CWR11, Tantalum, MnO2 Tantalum, Military/High Reliability, 22 uF, 5%, 15 VDC, SMD, MnO2, Molded, Military Equivalent, D (0.001%/1000 Hrs), 1.1 Ohms, 7343, Height Max = 3.1mm



**Dimensions**

Footprint	7343
L	7.3mm +/-0.3mm
W	4.3mm +/-0.3mm
H	2.8mm +/-0.3mm
T	0.13mm REF
S	1.3mm +/-0.3mm
F	2.4mm +/-0.1mm
A	3.8mm MIN
B	0.5mm +/-0.15mm
E	3.5mm REF
G	3.5mm REF
K	1mm MIN
P	0.5mm MIN
R	1mm REF
X	0.1mm +/-0.1mm

**Packaging Specifications**

<b>Weight:</b>	412.33 mg
<b>Packaging:</b>	T&R, 178mm
<b>Packaging Quantity:</b>	2500

**General Information**

<b>Supplier:</b>	KEMET
<b>Series:</b>	T492_CWR11
<b>Dielectric:</b>	MnO2 Tantalum
<b>Style:</b>	SMD Chip
<b>Description:</b>	SMD, MnO2, Molded, Military Equivalent
<b>RoHS:</b>	No
<b>Termination:</b>	Solder Coated
<b>Qualifications:</b>	MIL-PRF-55365/8, CWR11 Style
<b>Notes:</b>	Note: When Option C Is Selected For Lead Material, Add An Additional 0.38mm To The Tolerances For "L", "W", "H", "K", "F" And "S". P And R Dimensions Represents The Minimum Solderable Area Of The Termination Surface Entirely Below Cutout (If One Is Present)

**Specifications**

<b>Capacitance:</b>	22 uF
<b>Capacitance Tolerance:</b>	5%
<b>Voltage DC:</b>	15 VDC (85C), 10.05 VDC (125C)
<b>Temperature Range:</b>	-55/+125C
<b>Rated Temperature:</b>	85C
<b>Dissipation Factor:</b>	6.00%
<b>Failure Rate:</b>	D (0.001%/1000 Hrs)
<b>Resistance:</b>	1.1 Ohms (100kHz)
<b>Leakage Current:</b>	3.3 uA (20C)
<b>Testing and Reliability:</b>	Standard Testing Only