

CMPT3646
SURFACE MOUNT
NPN SILICON TRANSISTOR



SOT-23 CASE



www.centrasemi.com

DESCRIPTION:

The CENTRAL SEMICONDUCTOR CMPT3646 type is an NPN silicon transistor manufactured by the epitaxial planar process, epoxy molded in a surface mount package, designed for ultra high speed switching applications.

MARKING CODE: C2R

MAXIMUM RATINGS: ($T_A=25^\circ\text{C}$)

Collector-Base Voltage
Collector-Emitter Voltage
Collector-Emitter Voltage
Emitter-Base Voltage
Continuous Collector Current
Power Dissipation
Operating and Storage Junction Temperature
Thermal Resistance

SYMBOL		UNITS
V_{CBO}	40	V
V_{CES}	40	V
V_{CEO}	15	V
V_{EBO}	5.0	V
I_C	200	mA
P_D	350	mW
T_J, T_{stg}	-65 to +150	$^\circ\text{C}$
Θ_{JA}	357	$^\circ\text{C/W}$

ELECTRICAL CHARACTERISTICS: ($T_A=25^\circ\text{C}$ unless otherwise noted)

SYMBOL	TEST CONDITIONS	MIN	MAX	UNITS
I_{CES}	$V_{CE}=20V$		0.5	μA
I_{CES}	$V_{CE}=20V, T_A=65^\circ\text{C}$		3.0	μA
BV_{CBO}	$I_C=100\mu\text{A}$	40		V
BV_{CES}	$I_C=10\mu\text{A}$	40		V
BV_{CEO}	$I_C=10\text{mA}$	15		V
BV_{EBO}	$I_E=100\mu\text{A}$	5.0		V
$V_{CE(SAT)}$	$I_C=30\text{mA}, I_B=3.0\text{mA}$		0.20	V
$V_{CE(SAT)}$	$I_C=30\text{mA}, I_B=3.0\text{mA}, T_A=65^\circ\text{C}$		0.30	V
$V_{CE(SAT)}$	$I_C=100\text{mA}, I_B=10\text{mA}$		0.28	V
$V_{CE(SAT)}$	$I_C=300\text{mA}, I_B=30\text{mA}$		0.50	V
$V_{BE(SAT)}$	$I_C=30\text{mA}, I_B=3.0\text{mA}$	0.75	0.95	V
$V_{BE(SAT)}$	$I_C=100\text{mA}, I_B=10\text{mA}$		1.20	V
$V_{BE(SAT)}$	$I_C=300\text{mA}, I_B=30\text{mA}$		1.70	V
h_{FE}	$V_{CE}=0.4V, I_C=30\text{mA}$	30	120	
h_{FE}	$V_{CE}=0.5V, I_C=100\text{mA}$	25		
h_{FE}	$V_{CE}=1.0V, I_C=300\text{mA}$	15		

R3 (1-February 2010)

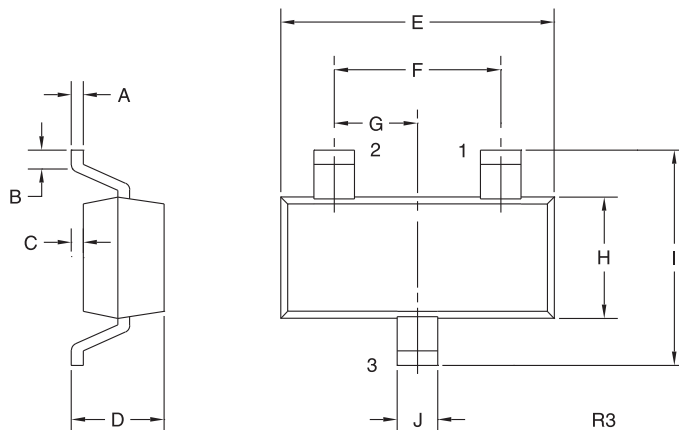
CMPT3646
SURFACE MOUNT
NPN SILICON TRANSISTOR



ELECTRICAL CHARACTERISTICS - Continued: ($T_A=25^\circ\text{C}$ unless otherwise noted)

SYMBOL	TEST CONDITIONS	MIN	MAX	UNITS
f_T	$V_{CE}=10\text{V}$, $I_C=30\text{mA}$, $f=100\text{MHz}$	350		MHz
C_{ob}	$V_{CB}=5.0\text{V}$, $I_E=0$, $f=1.0\text{MHz}$		5.0	pF
C_{ib}	$V_{BE}=0.5\text{V}$, $I_C=0$, $f=1.0\text{MHz}$		8.0	pF
t_{on}	$V_{CC}=10\text{V}$, $I_C=300\text{mA}$, $I_{B1}=30\text{mA}$		18	ns
t_{off}	$V_{CC}=10\text{V}$, $I_C=300\text{mA}$, $I_{B1}=I_{B2}=30\text{mA}$		28	ns
t_s	$V_{CC}=10\text{V}$, $I_C=I_{B1}=I_{B2}=10\text{mA}$		18	ns

SOT-23 CASE - MECHANICAL OUTLINE



LEAD CODE:

- 1) Base
- 2) Emitter
- 3) Collector

MARKING CODE: C2R

SYMBOL	INCHES		MILLIMETERS	
	MIN	MAX	MIN	MAX
A	0.003	0.007	0.08	0.18
B	0.006	-	0.15	-
C	-	0.005	-	0.13
D	0.035	0.043	0.89	1.09
E	0.110	0.120	2.80	3.05
F	0.075		1.90	
G	0.037		0.95	
H	0.047	0.055	1.19	1.40
I	0.083	0.098	2.10	2.49
J	0.014	0.020	0.35	0.50

SOT-23 (REV: R3)

R3 (1-February 2010)

OUTSTANDING SUPPORT AND SUPERIOR SERVICES



PRODUCT SUPPORT

Central's operations team provides the highest level of support to insure product is delivered on-time.

- Supply management (Customer portals)
- Inventory bonding
- Consolidated shipping options
- Custom bar coding for shipments
- Custom product packing

DESIGNER SUPPORT/SERVICES

Central's applications engineering team is ready to discuss your design challenges. Just ask.

- Free quick ship samples (2nd day air)
- Online technical data and parametric search
- SPICE models
- Custom electrical curves
- Environmental regulation compliance
- Customer specific screening
- Up-screening capabilities
- Special wafer diffusions
- PbSn plating options
- Package details
- Application notes
- Application and design sample kits
- Custom product and package development

REQUESTING PRODUCT PLATING

1. If requesting Tin/Lead plated devices, add the suffix "TIN/LEAD" to the part number when ordering (example: 2N2222A TIN/LEAD).
2. If requesting Lead (Pb) Free plated devices, add the suffix "PBFREE" to the part number when ordering (example: 2N2222A PBFREE).

CONTACT US

Corporate Headquarters & Customer Support Team

Central Semiconductor Corp.
145 Adams Avenue
Hauppauge, NY 11788 USA
Main Tel: (631) 435-1110
Main Fax: (631) 435-1824
Support Team Fax: (631) 435-3388
www.centrasemi.com

Worldwide Field Representatives:
www.centrasemi.com/wwreps

Worldwide Distributors:
www.centrasemi.com/wwdistributors

For the latest version of Central Semiconductor's **LIMITATIONS AND DAMAGES DISCLAIMER**, which is part of Central's Standard Terms and Conditions of sale, visit: www.centrasemi.com/terms