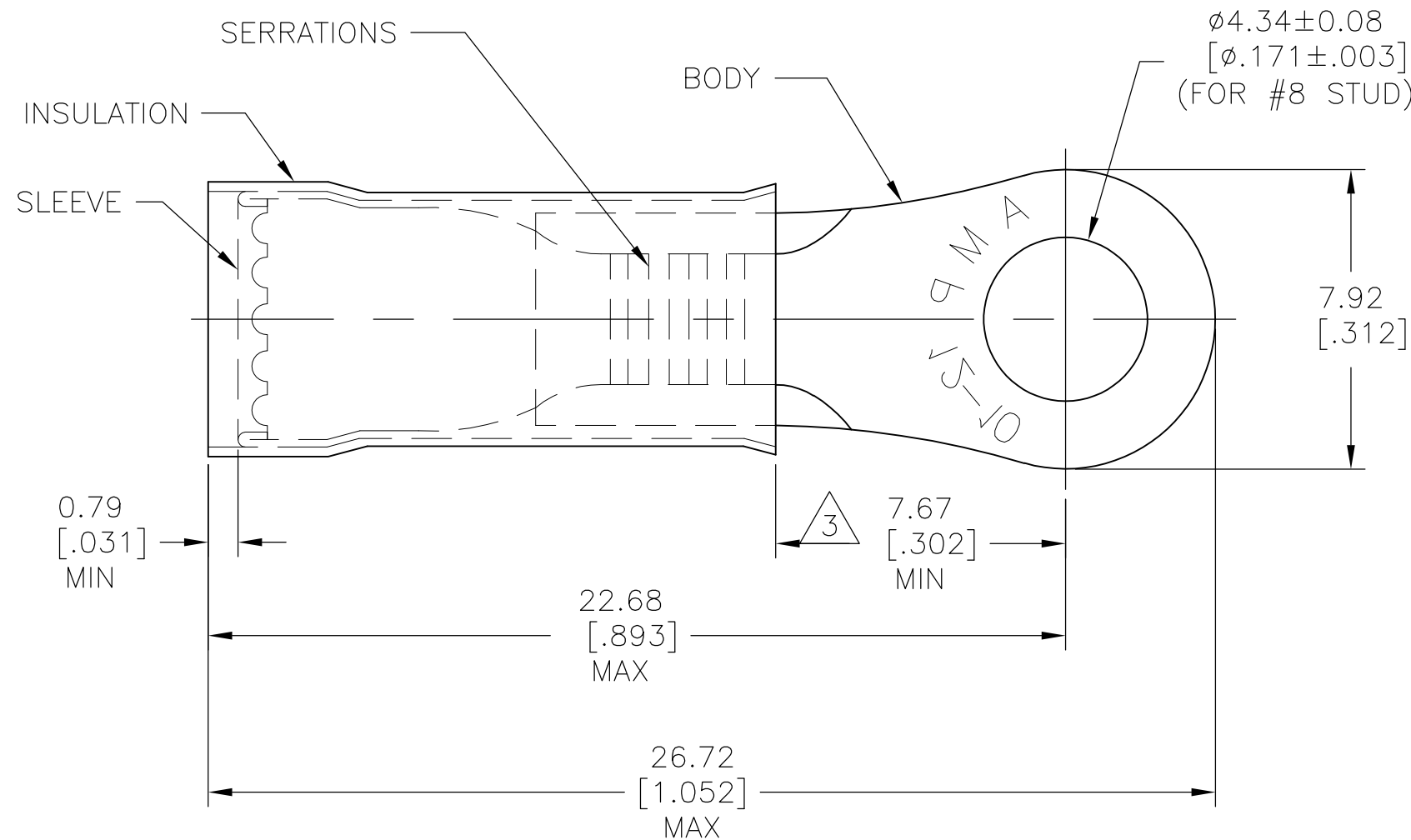


THIS DRAWING IS UNPUBLISHED. RELEASED FOR PUBLICATION
© COPYRIGHT BY TYCO ELECTRONICS CORPORATION. ALL INTERNATIONAL RIGHTS RESERVED.

LOC	DIST	REVISIONS					
		P	LTR	DESCRIPTION	DATE	DWN	APVD
G	14		G1	REVISED PER ECR-09-017960	27AUG09	HMR	JR

- 1 FOR 3.81 [.150] TO 5.84 [.230] WIRE INSULATION DIA
- 2 TONGUE MATERIAL THK: 1.02±0.05 [.040±.002]
- 3 APPLIES FROM THE METAL EDGE OF THE BARREL TO THE CENTER OF THE STUD



	100	LOOSE PC, BOX	BODY: COPPER (ASTM-B152) TIN PL (ASTM-B545) SLEEVE: COPPER (ASTM-B152)	8-324915-1
OBSOLETE	4000	324915 ON TAPE		-1-324915-1-
	1	WIRE TERMINAL	INSULATION: NYLON COLOR: YELLOW	324915
	QTY	DESCRIPTION	MATERIAL & FINISH	PART NO

THIS DRAWING IS A CONTROLLED DOCUMENT.		DWN RAGHAVENDRA 27AUG09	Tyco Electronics Corporation Harrisburg, PA 17105-3608	
DIMENSIONS: mm [INCHES]		CHK JEFF RUTH 27AUG09	NAME WIRE TERMINAL PIDG - RING TONGUE WIRE SIZE: 12-10	
TOLERANCES UNLESS OTHERWISE SPECIFIED: 0 PLC ± - 1 PLC ± - 2 PLC ± - 3 PLC ± 0.20 [.008] 4 PLC ± - ANGLES ± 5°		APVD TOM MICHIELUTTI 27AUG09	PRODUCT SPEC -	
MATERIAL SEE TABLE		FINISH SEE TABLE	APPLICATION SPEC -	RESTRICTED TO -
		WEIGHT -	SIZE A3	CAGE CODE 00779
		DRAWING NO G-324915		SCALE 6:1
		CUSTOMER DRAWING		SHEET 1 OF 1
				REV G1