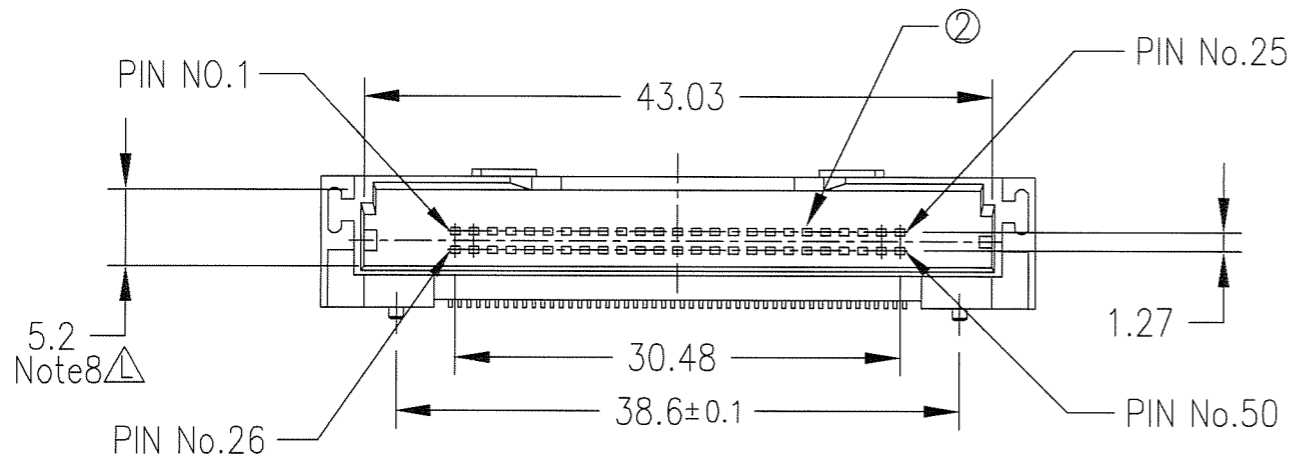
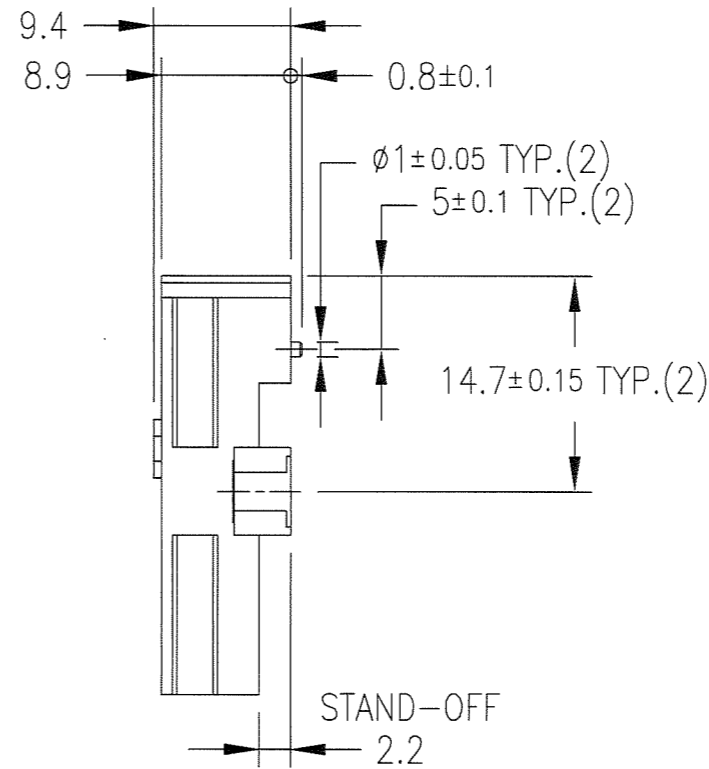
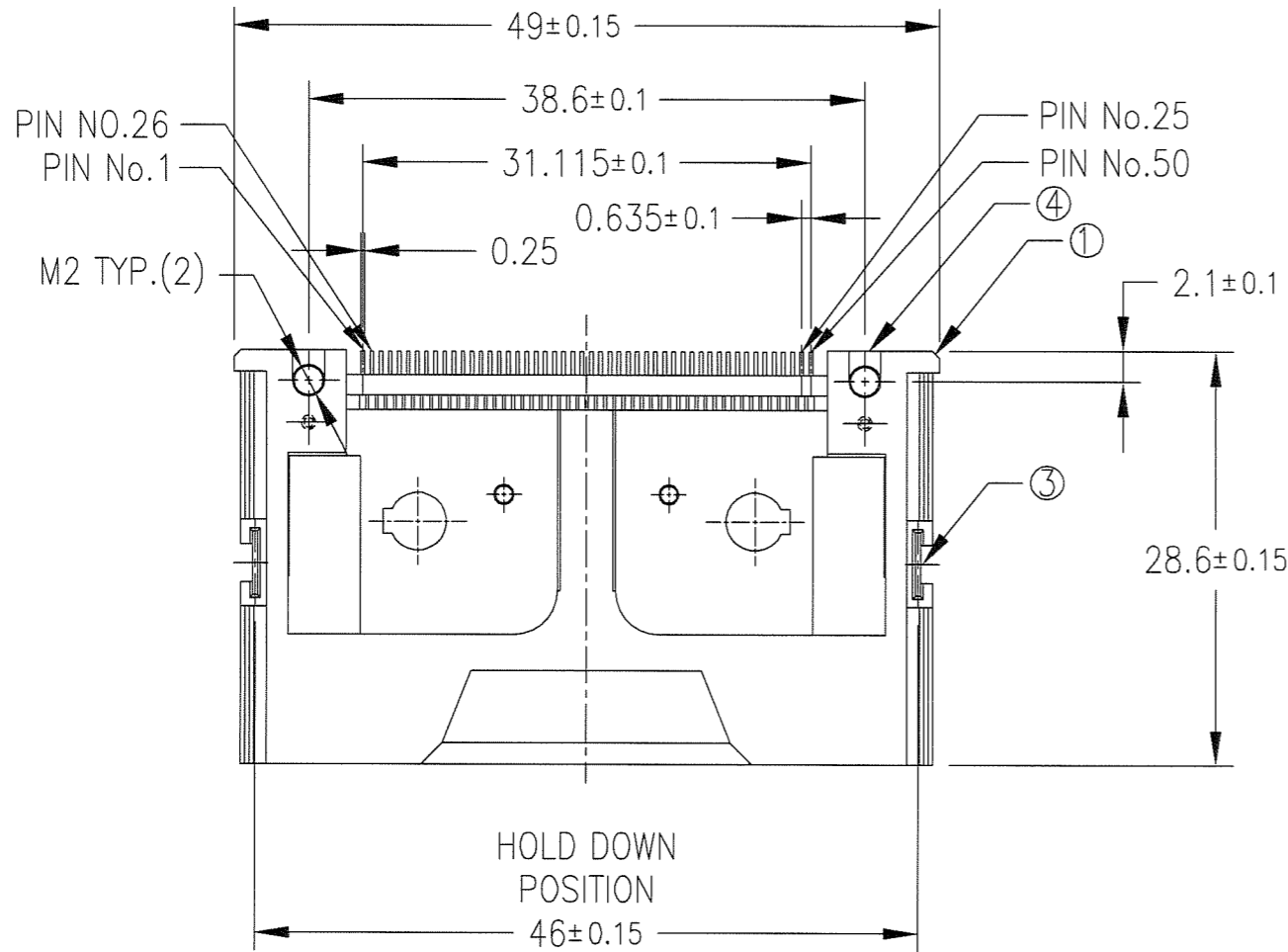


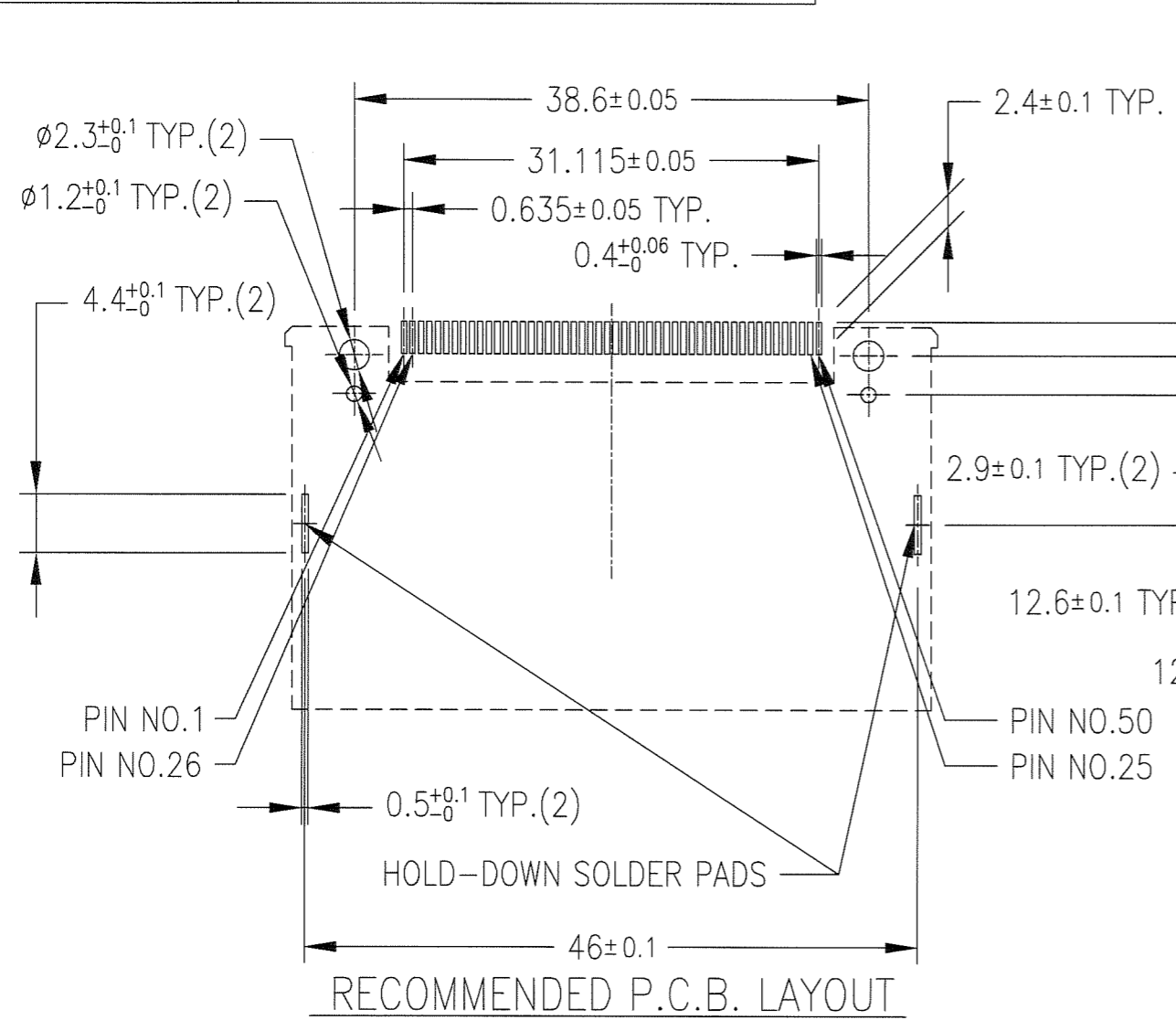
PRODUCT NO.	REMARKS
62453-022LF	WITH METAL PLATE( M2 SCREWS)



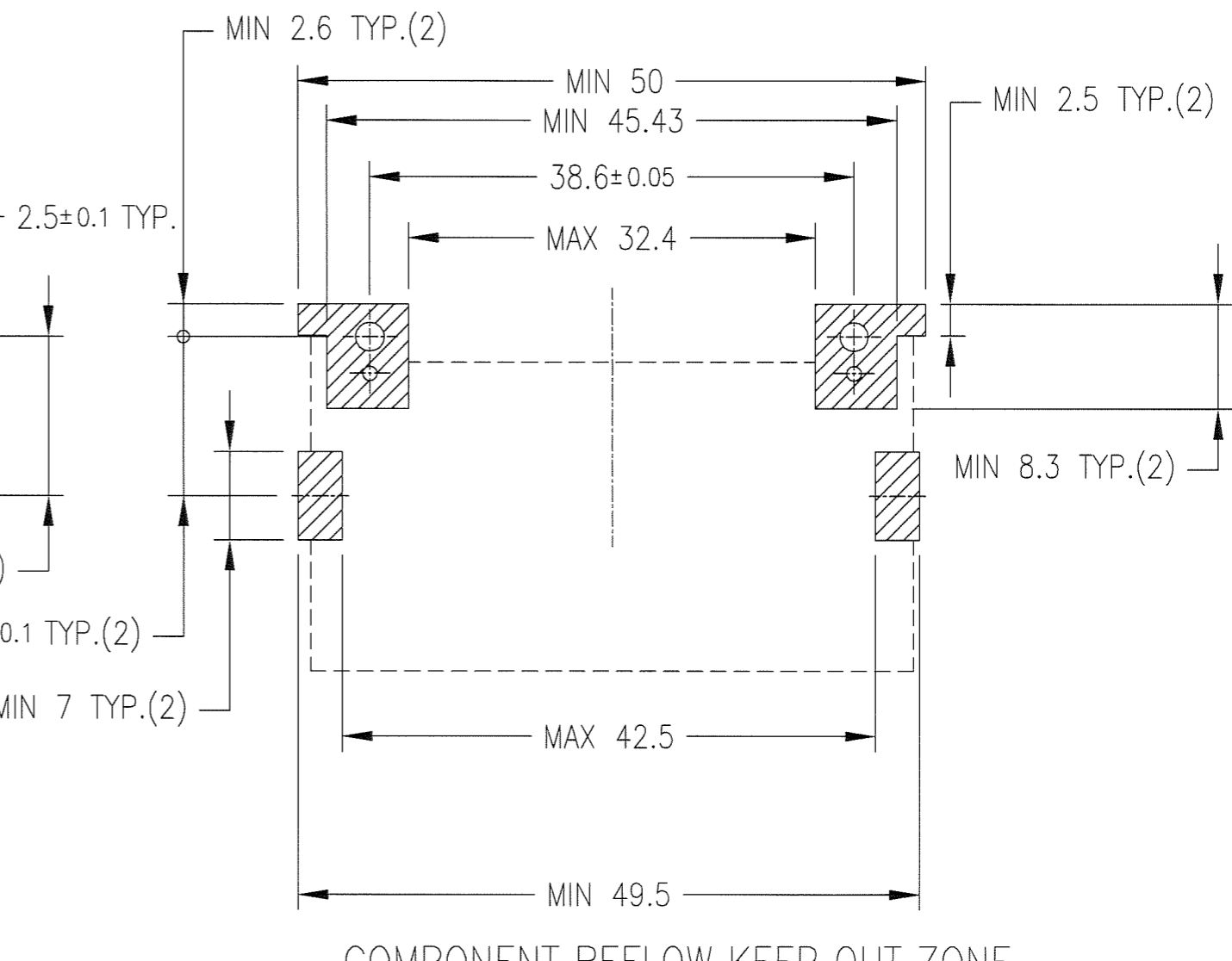
COMPONENT	MATERIAL	FINISH	QTY.
① HOUSING	FLAME RETARDANT RESIN	NONE (BLACK)	1
② PIN	PHOSPHOR BRONZE	UNDER : 1.0μm MIN. Ni CONTACT AREA : 0.2μm MIN. Au SOLDER TAIL : 0.05μm MIN. Au	50
③ HOLD DOWN	PHOSPHOR BRONZE	UNDER : 1.27μm MIN. Ni SOLDER TAIL : 2.0μm MIN. Sn	2
④ METAL PLATE	BRASS	2μm MIN. Ni	2

mat'l. code				surface		tolerance		projection		product family		CODE
---				ISO 1302		ISO 406 ISO 1101		mm		5AZF - CF HEADER		JP
description				tolerances unless		angles		linear		title		
ecn no				otherwise specified		0'±2'		0.X ±0.3		COMPACT FLASH HDR		
dr								0.XX ±0.3		TOP MOUNT		
date								0.XXX ±0.3		scale 2:1		
F ADDED SHEET 5,6				J04-0061		HS		2/18/04		S.WATANABE		7/28/08
G ADDED SHEET 7,8				J05-0357		M.H		6/16/05		S.WATANABE		7/28/08
H REVISED				J05-0748		R.S		10/31/05		S.WATANABE		7/28/08
J REVISED				J06-0315		R.S		8/1/06		S.WATANABE		7/28/08
K REVISED				J06-0399		R.S		10/20/06		S.WATANABE		7/28/08
L REVISED				J08-0316		S.W		7/28/08		S.WATANABE		7/28/08
sheet index				revision sheet		L J E E E E E E				sheet 1 of 8 size		
1				2		3 4 5 6 7 8				62453		A3
										type Product Customer Drawing		Rev.
												L

PRODUCT NO.	REMARKS
62453-022LF	WITH METAL PLATE( M2 SCREWS)



RECOMMENDED P.C.B. LAYOUT

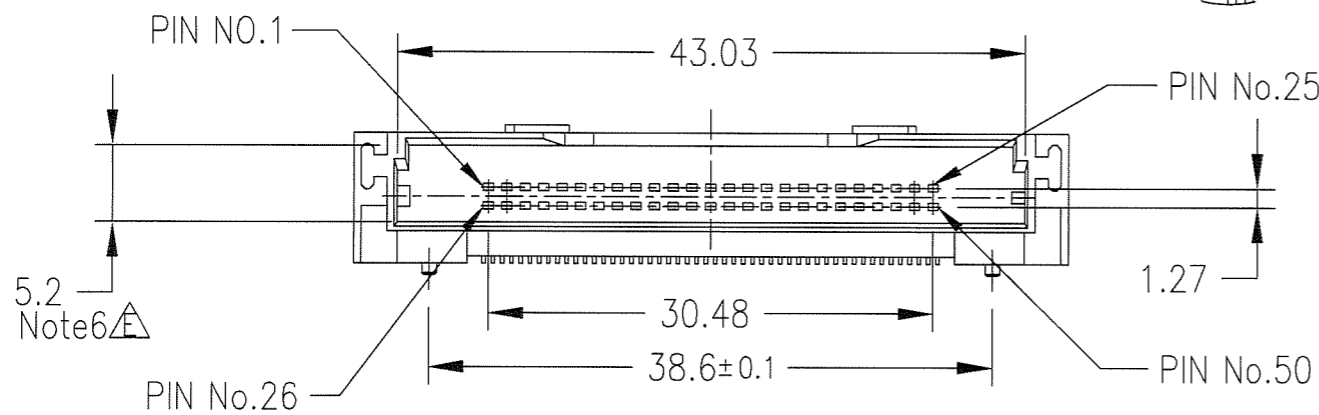
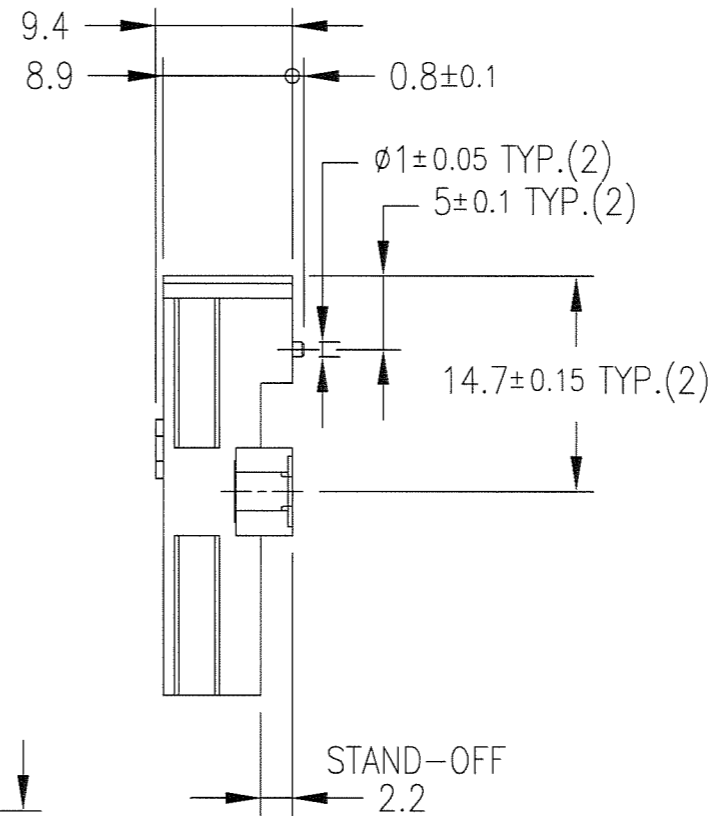
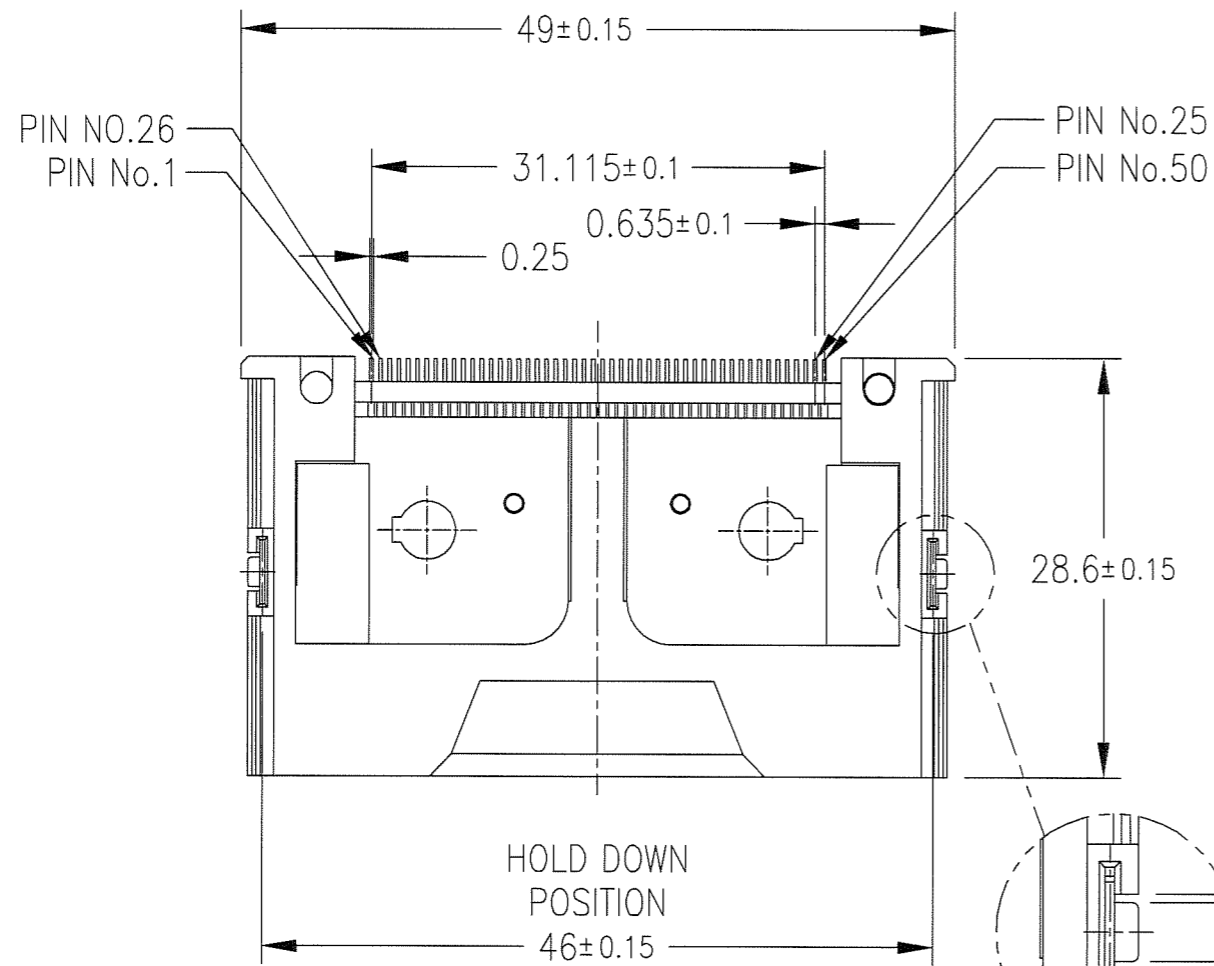


COMPONENT REFLOW KEEP OUT ZONE

- NOTE
- 1.PRODUCT SPECIFICATION : 110-404
  - 2.PACKAGING SPECIFICATION : GES-14-620
  - 3.RECOMMENDED TIGHTENING TORQUE : 0.127N.m [1.3kgf.cm]
  - 4.SOLDER TAIL CO-PLANARITY : MAX 0.1
  - 5.RECOMMENDED HOLD-DOWN SCREW  
M 2mm X 6mm SCREWS  
FOR 0.062in/1.57mm THICK PCB
  - 6,FOR LEAD FREE P/N, THE PRODUCT MEETS EUROPEAN UNION DIRECTIVES AND OTHER COUNTRY REGULATIONS AS DESCRIBED IN GS-22-008.
  - 7.THE HOUSING WILL WITHSTAND EXPOSURE TO 260°C PEAK TEMPERATURE FOR 10 SECONDS IN A CONVENTION, INTRA-RED OR VAPOR PHASE REFLOW OVEN.
  - 8.MEASURED AT THE BOTTOM.

mat'l. code				surface		tolerance		projection		product family		CODE
---				ISO 1302		ISO 406		mm		5AZF - CF HEADER		JP
						ISO 1101				title		
ltr	description	ecn no	dr	date	tolerances unless otherwise specified					COMPACT FLASH HDR		
D	REVISED	V20696	HS	5/15/02	angles	linear	0.X	±0.3			TOP MOUNT	
E	ADDED SHEET 3,4	V20659	HS	12/25/02	0'±2'		0.XX	±0.3				
F	REVISED	J05-0748	R.S	10/31/05			0.XXX	±0.3	scale 2:1			
G	REVISED	J06-0315	R.S	8/1/06	dr	S.WATANABE	7/28/08		FCJ		dwg no	sheet 2 of 8 size
H	REVISED	J06-0399	R.S	10/20/06	engr	S.WATANABE	7/28/08				62453	A3
J	REVISED	J08-0316	S.W	7/28/08	chr	J. Muddan	2008-7-29				type	Product Customer Drawing
sheet index		revision sheet										Rev.
												J

PRODUCT NO.	REMARKS
62453-122LF	WITHOUT METAL PLATE(M2 SCREWS)



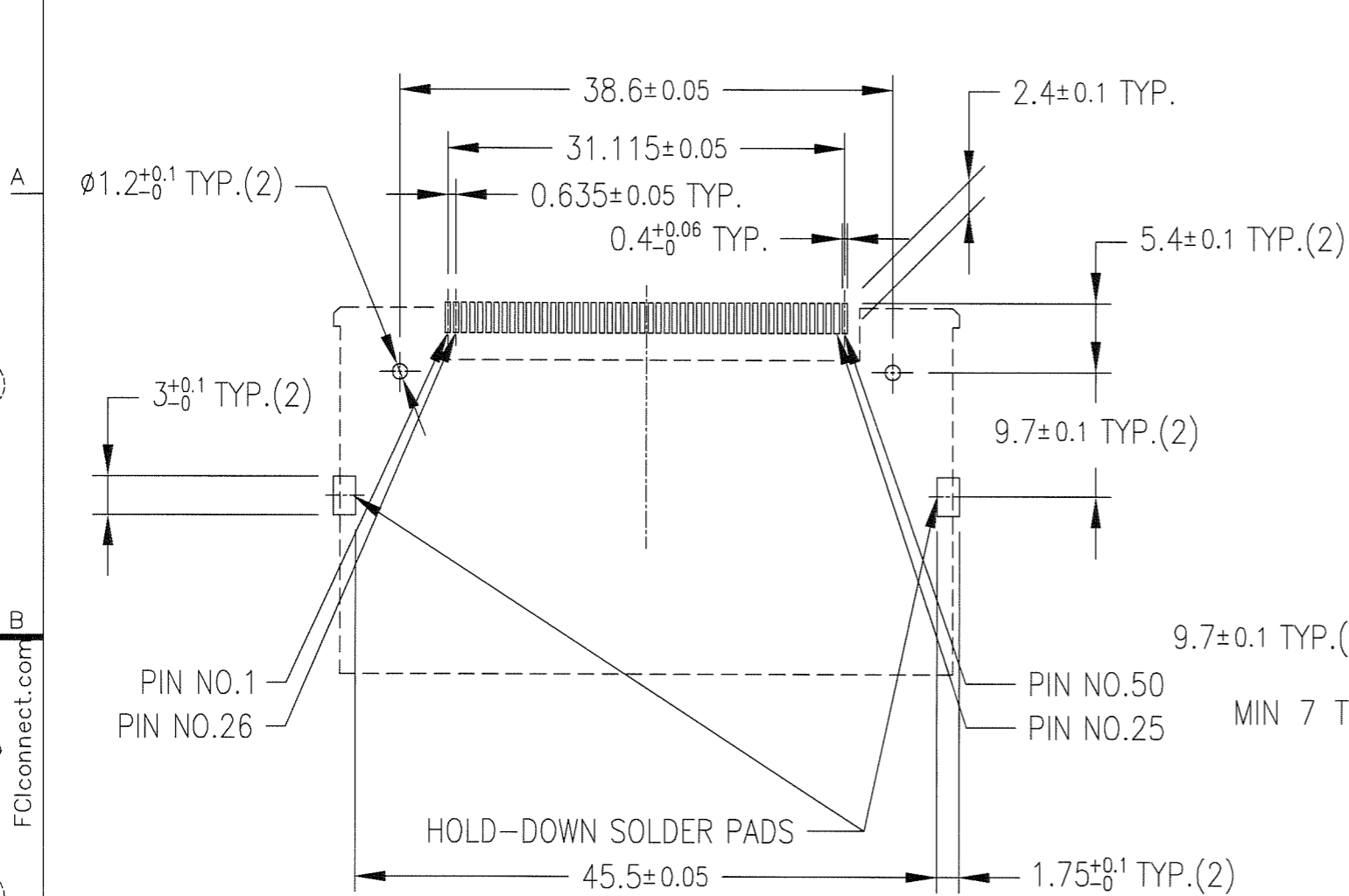
COMPONENT	MATERIAL	FINISH	QTY.
① HOUSING	FLAME RETARDANT RESIN	NONE (BLACK)	1
② PIN	PHOSPHOR BRONZE	UNDER : 1.0μm MIN. Ni CONTACT AREA : 0.2μm MIN. Au SOLDER TAIL : 0.05μm MIN. Au	50
③ HOLD DOWN	PHOSPHOR BRONZE	UNDER : 1.27μm MIN. Ni SOLDER TAIL : 2.0μm MIN. Sn	2

mat'l. code				surface	tolerance	projection	product family	CODE
---				ISO 1302	ISO 406		5AZF - CF HEADER	JP
				tolerances unless otherwise specified		title		
ltr	description	ecn no	dr	date	angles	linear	COMPACT FLASH HDR	
A	RELEASED	J20659	HS	2/18/'04			TOP MOUNT	
B	REVISED	J05-0748	R.S	10/31/'05				
C	REVISED	J06-0315	R.S	8/1/'06	0°±2'			
D	REVISED	J06-0399	R.S	10/20/'06				
E	REVISED	J08-0316	S.W	7/28/'08				
				dr	S.WATANABE	7/28/'08	sheet 3 of 8 size	
				enr	S.WATANABE	7/28/'08	62453 A3	
				chr			type Product Customer Drawing	
				appd			Rev. E	
sheet index	revision sheet							

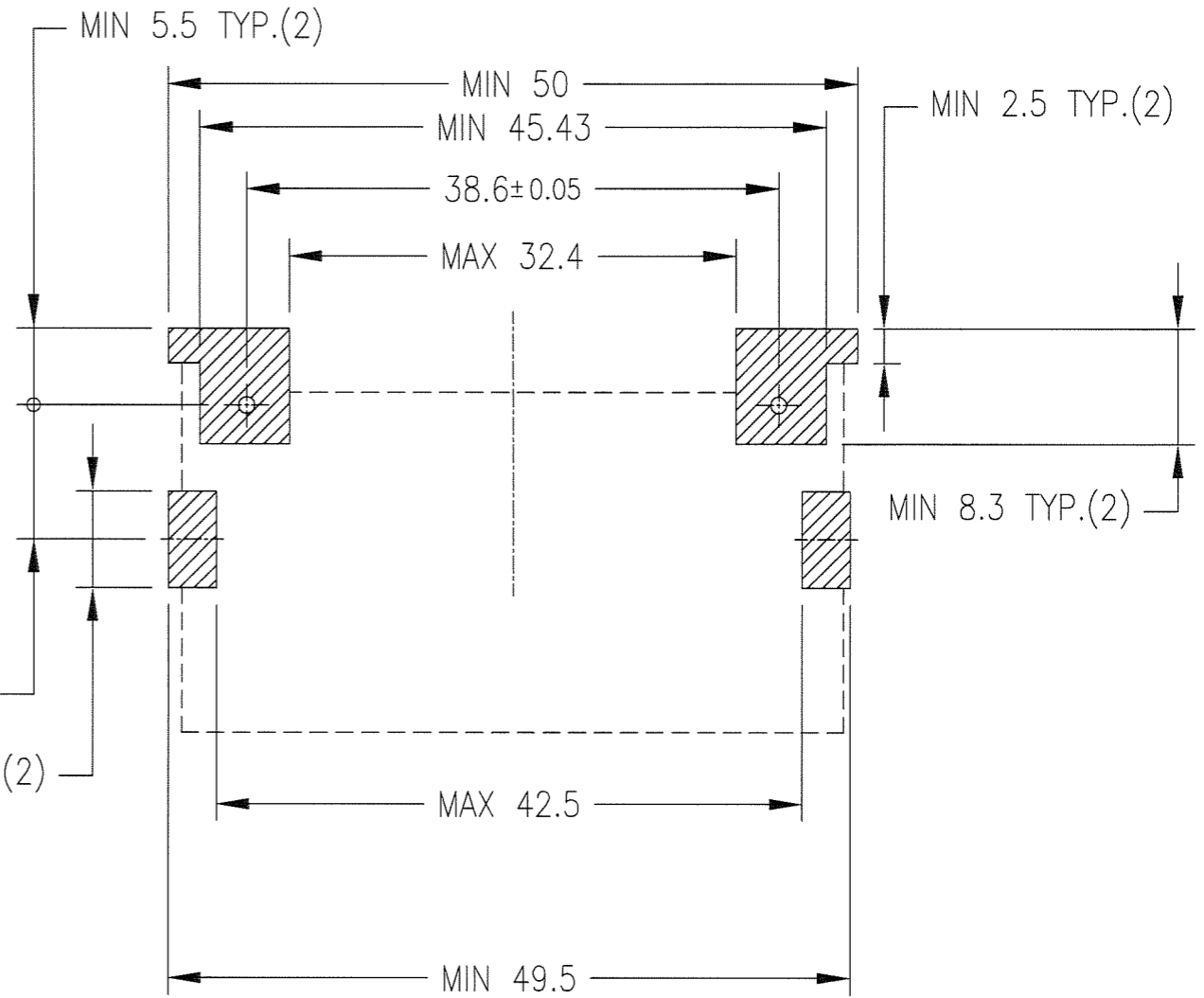


Copyright FCI

PRODUCT NO.	REMARKS
62453-122LF	WITHOUT METAL PLATE(M2 SCREWS)



RECOMMENDED P.C.B. LAYOUT



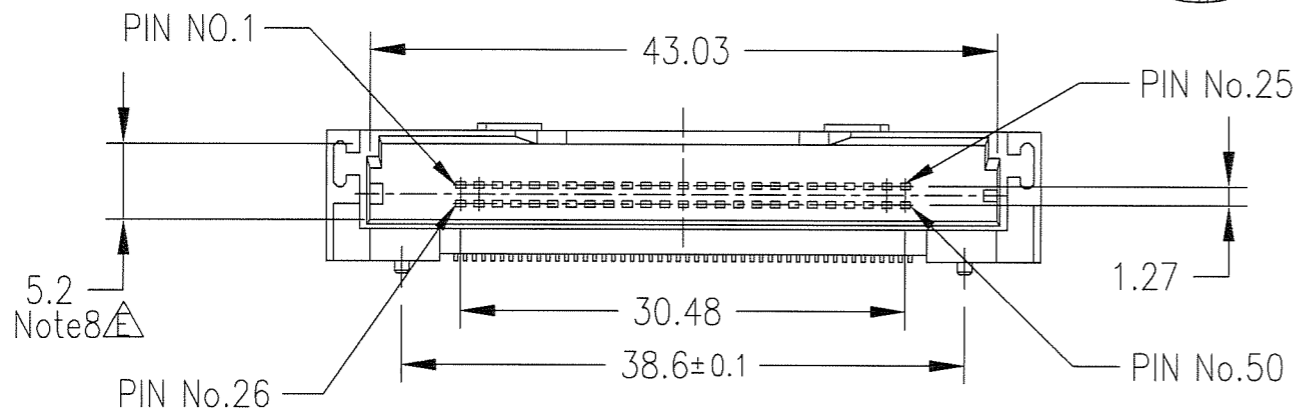
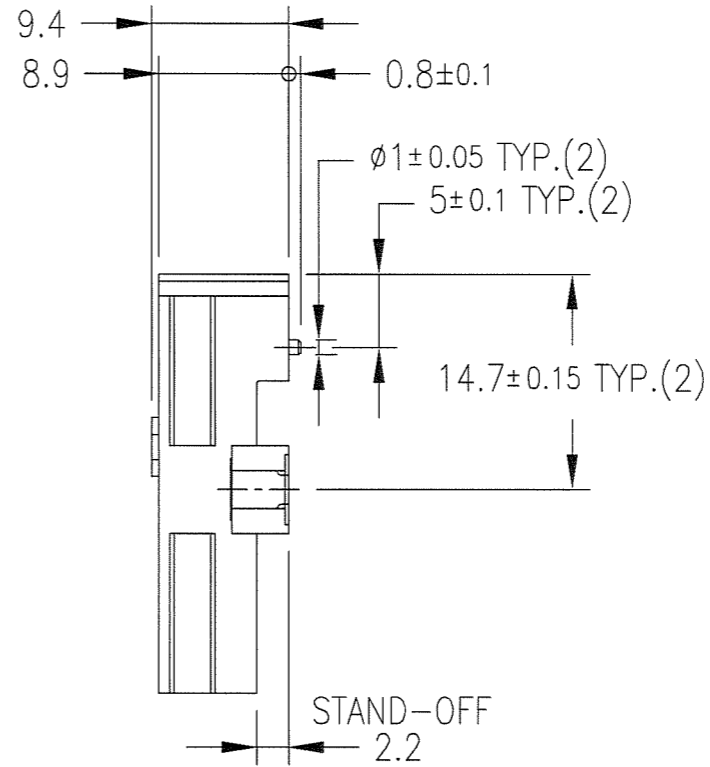
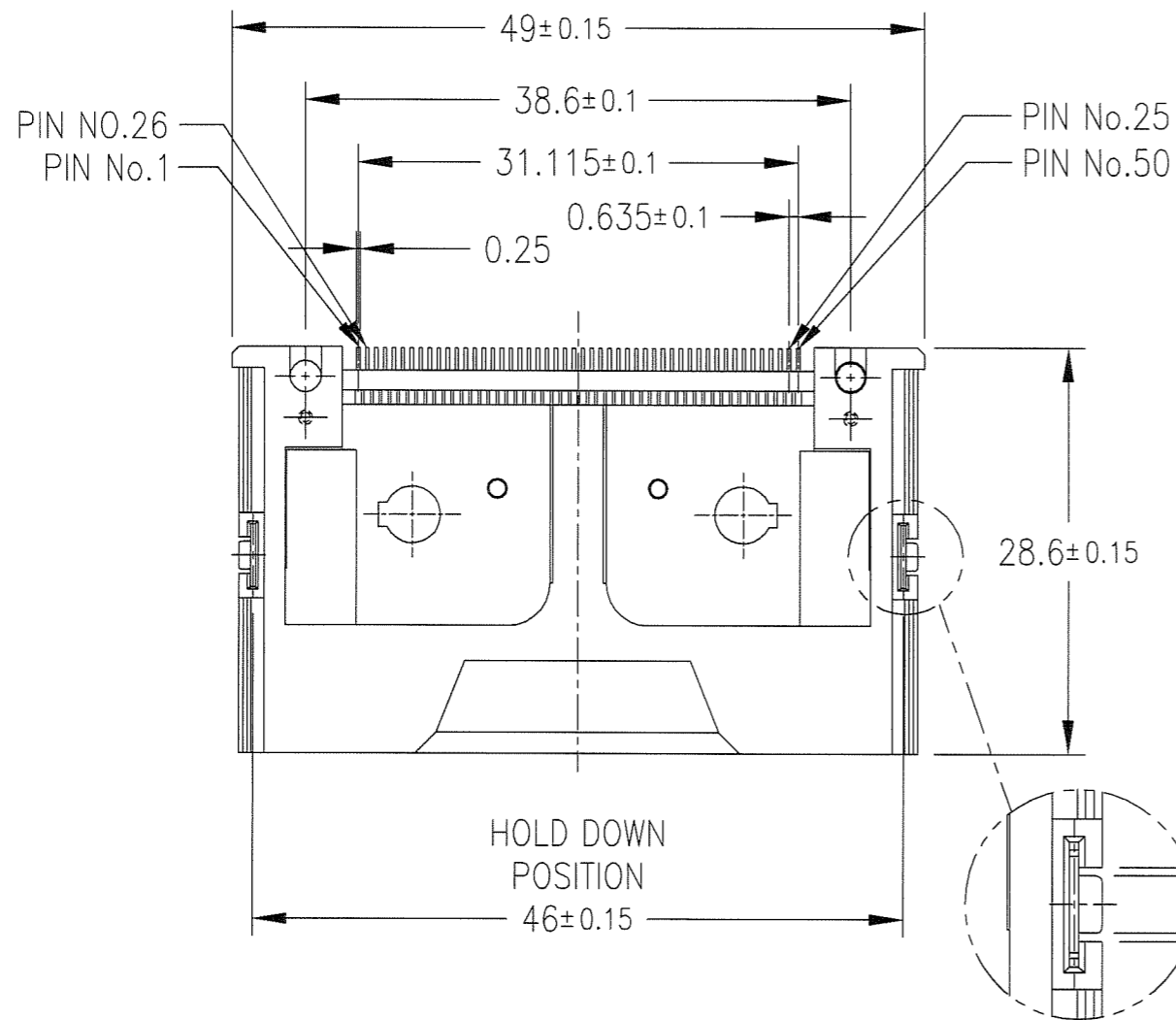
COMPONENT REFLOW KEEP OUT ZONE

NOTE

- 1.PRODUCT SPECIFICATION : 110-404
- 2.PACKAGING SPECIFICATION : GES-14-620
- 3.SOLDER TAIL CO-PLANARITY : MAX 0.1
- 4, FOR LEAD FREE P/N, THE PRODUCT MEETS EUROPEAN UNION DIRECTIVES AND OTHER COUNTRY REGULATIONS AS DESCRIBED IN GS-22-008.
5. THE HOUSING WILL WITHSTAND EXPOSURE TO 260°C PEAK TEMPERATURE FOR 10 SECONDS IN A CONVENTION, INTRA-RED OR VAPOR PHASE REFLOW OVEN.
6. MEASURED AT THE BOTTOM.

mat'l. code ---				surface ISO 1302 <input checked="" type="checkbox"/>		tolerance ISO 406 ISO 1101		projection 		product family 5AZF - CF HEADER		CODE JP
tolerances unless otherwise specified				angles		linear		mm		title COMPACT FLASH HDR TOP MOUNT		
ltr	description	ecn no	dr	date						scale 2:1		
1	RELEASED		HS	9/12/02			0.X	±0.3		sheet 4 of 8 size		
A	RELEASED	J20659	HS	12/25/02			0.XX	±0.3		62453 A3		
B	REVISED	J05-0748	R.S	10/31/05	0'±2'		0.XXX	±0.3		type Product Customer Drawing		
C	REVISED	J06-0315	R.S	8/1/06	dr	S.WATANABE	7/28/08			Rev.		
D	REVISED	J06-0399	R.S	10/20/06	enr	S.WATANABE	7/28/08			E		
E	REVISED	J08-0316	S.W	7/28/08	chr	<i>S. Watanabe</i>	2008-7-29					
sheet index		revision sheet										

PRODUCT NO.	REMARKS
62453-222LF	WITH METAL PLATE( M2 SCREWS)



COMPONENT	MATERIAL	FINISH	QTY.
① HOUSING	FLAME RETARDANT RESIN	NONE (BLACK)	1
② PIN	PHOSPHOR BRONZE	UNDER : 1.0μm MIN. Ni CONTACT AREA : 0.2μm MIN. Au SOLDER TAIL : 0.05μm MIN. Au	50
③ HOLD DOWN	PHOSPHOR BRONZE	UNDER : 1.27μm MIN. Ni SOLDER TAIL : 2.0μm MIN. Sn	2
④ METAL PLATE	BRASS	2μm MIN. Ni	2

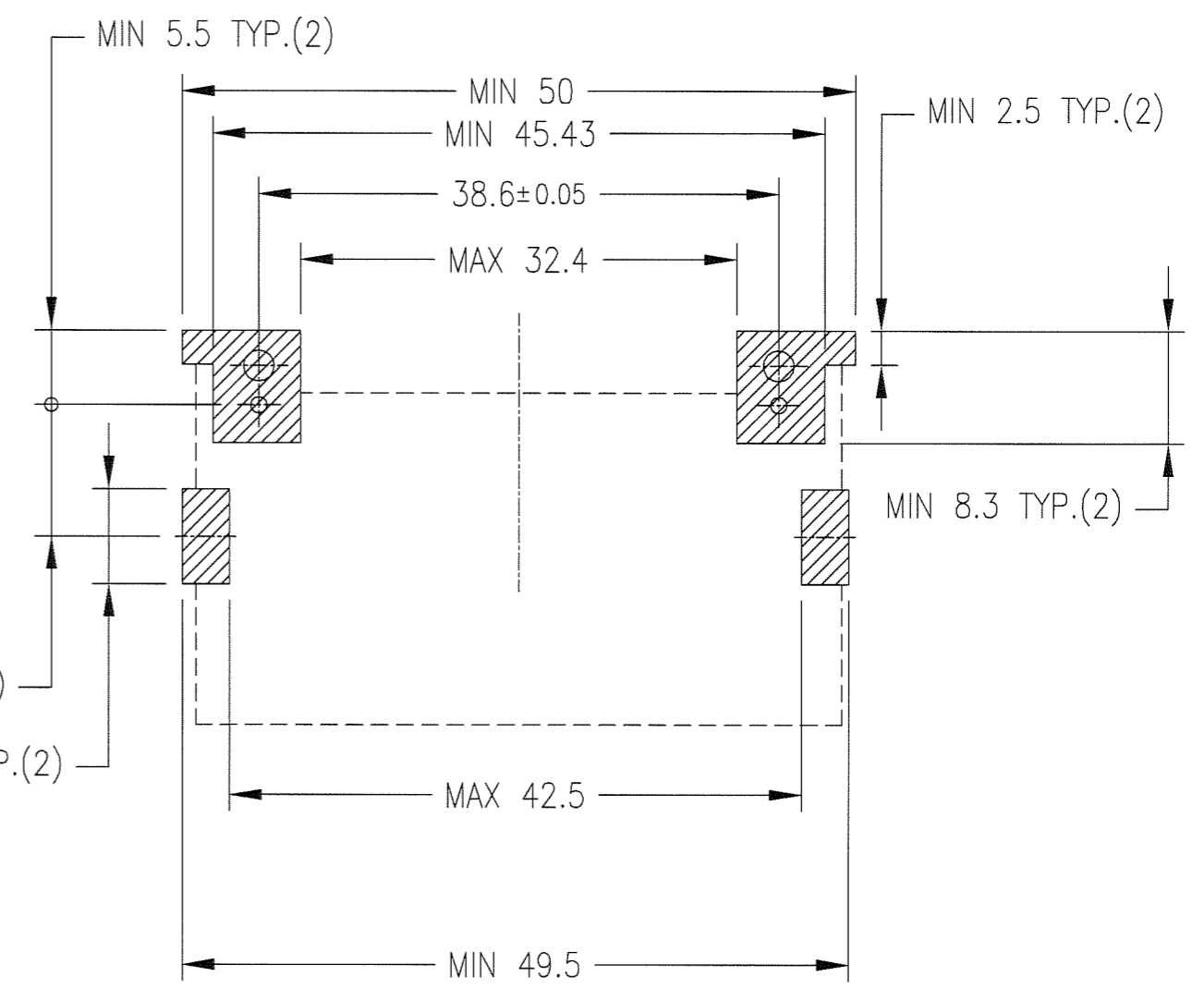
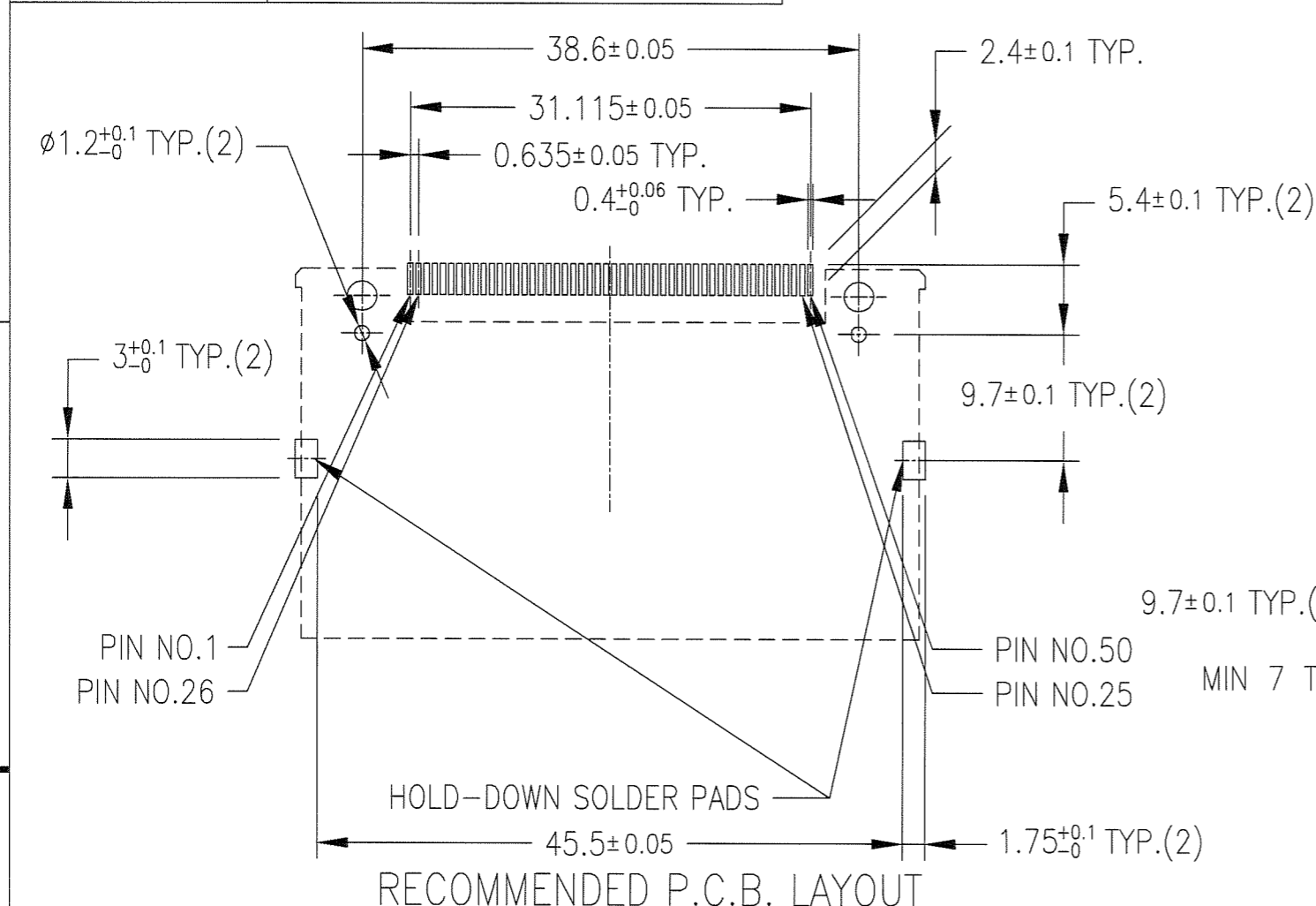
mat'l. code		surface		tolerance		projection		product family		CODE	
---		ISO 1302 <input checked="" type="checkbox"/>		ISO 406				5AZF - CF HEADER		JP	
				ISO 1101		mm		title			
				tolerances unless otherwise specified		scale 2:1		COMPACT FLASH HDR			
								TOP MOUNT			
								dwg no		sheet 5 of 8 size	
								62453		A3	
								type		Product Customer Drawing	
										Rev.	
										E	

sheet index	revision sheet										
-------------	----------------	--	--	--	--	--	--	--	--	--	--



Copyright FCI

PRODUCT NO.	REMARKS
62453-222LF	WITH METAL PLATE( M2 SCREWS)



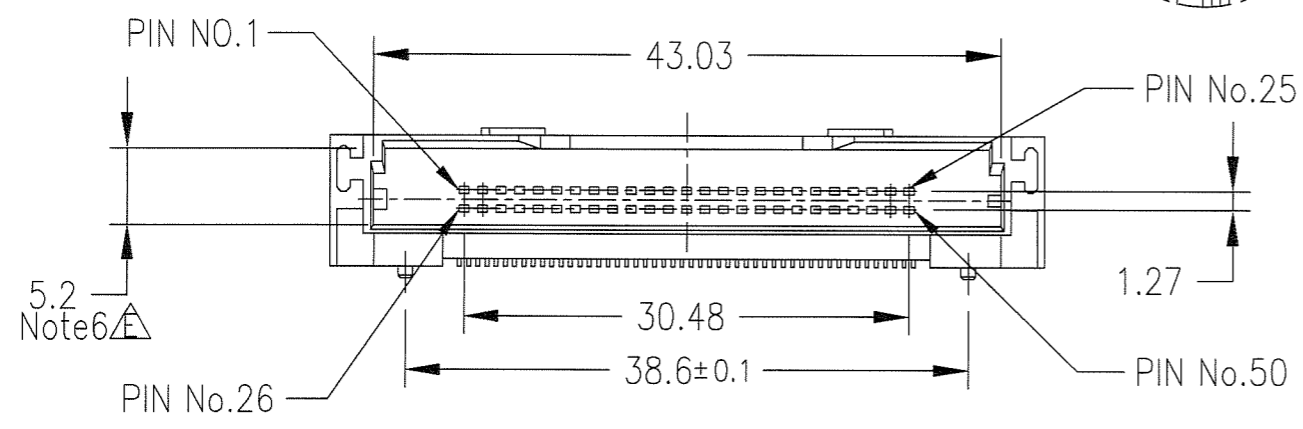
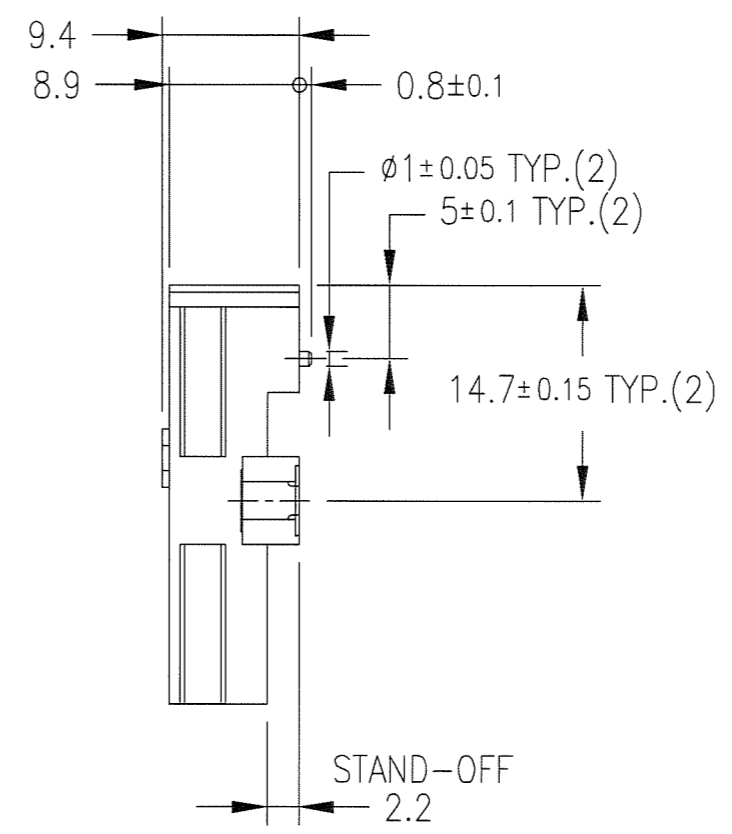
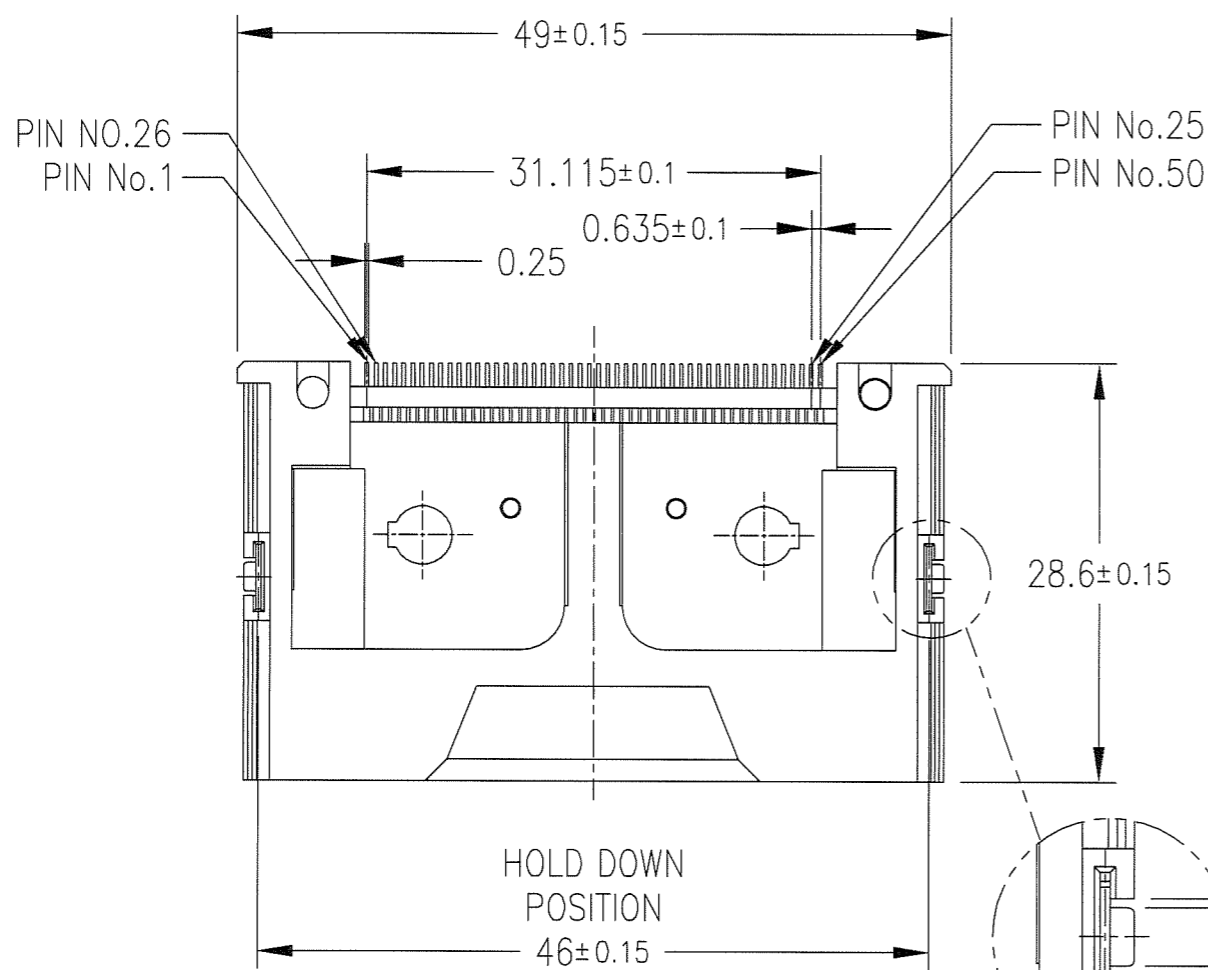
- NOTE
- 1.PRODUCT SPECIFICATION : 110-404
  - 2.PACKAGING SPECIFICATION : GES-14-620
  - 3.RECOMMENDED TIGHTENING TORQUE : 0.127N.m [1.3kgf.cm]
  - 4.SOLDER TAIL CO-PLANARITY : MAX 0.1
  - 5.RECOMMENDED HOLD-DOWN SCREW  
M 2mm X 6mm SCREWS(FCI P/N ; 95121-001)  
FOR 0.062in/1.57mm THICK PCB
  - 6,FOR LEAD FREE P/N, THE PRODUCT MEETS EUROPEAN UNION DIRECTIVES AND OTHER COUNTRY REGULATIONS AS DESCRIBED IN GS-22-008.
  - 7.THE HOUSING WILL WITHSTAND EXPOSURE TO 260°C PEAK TEMPERATURE FOR 10 SECONDS IN A CONVENTION, INTRA-RED OR VAPOR PHASE REFLOW OVEN.
  - 8.MEASURED AT THE BOTTOM.

mat'l. code				surface		tolerance		projection		product family		CODE
---				ISO 1302		ISO 406		mm		5AZF - CF HEADER		JP
						ISO 1101				title		
ltr	description	ecn no	dr	date	tolerances unless otherwise specified		scale 2:1		COMPACT FLASH HDR			
1	RELEASED		HS	9/12/02	angles	linear	0.X	$\pm 0.3$	TOP MOUNT			
A	RELEASED	J20659	HS	12/25/02			0.XX	$\pm 0.3$				
B	REVISED	J05-0748	R.S	10/31/05			0.XXX	$\pm 0.3$				
C	REVISED	J06-0315	R.S	8/1/'06	dr	S.WATANABE	7/28/'08			sheet 6 of 8 size		
D	REVISED	J06-0399	R.S	10/20/'06	enr	S.WATANABE	7/28/'08			62453 A3		
E	REVISED	J08-0316	S.W	7/28/'08	chr					type Product Customer Drawing		
sheet index		revision sheet								Rev. E		



Copyright FCI

PRODUCT NO.	REMARKS
62453-622LF	WITHOUT METAL PLATE(M2 SCREWS)



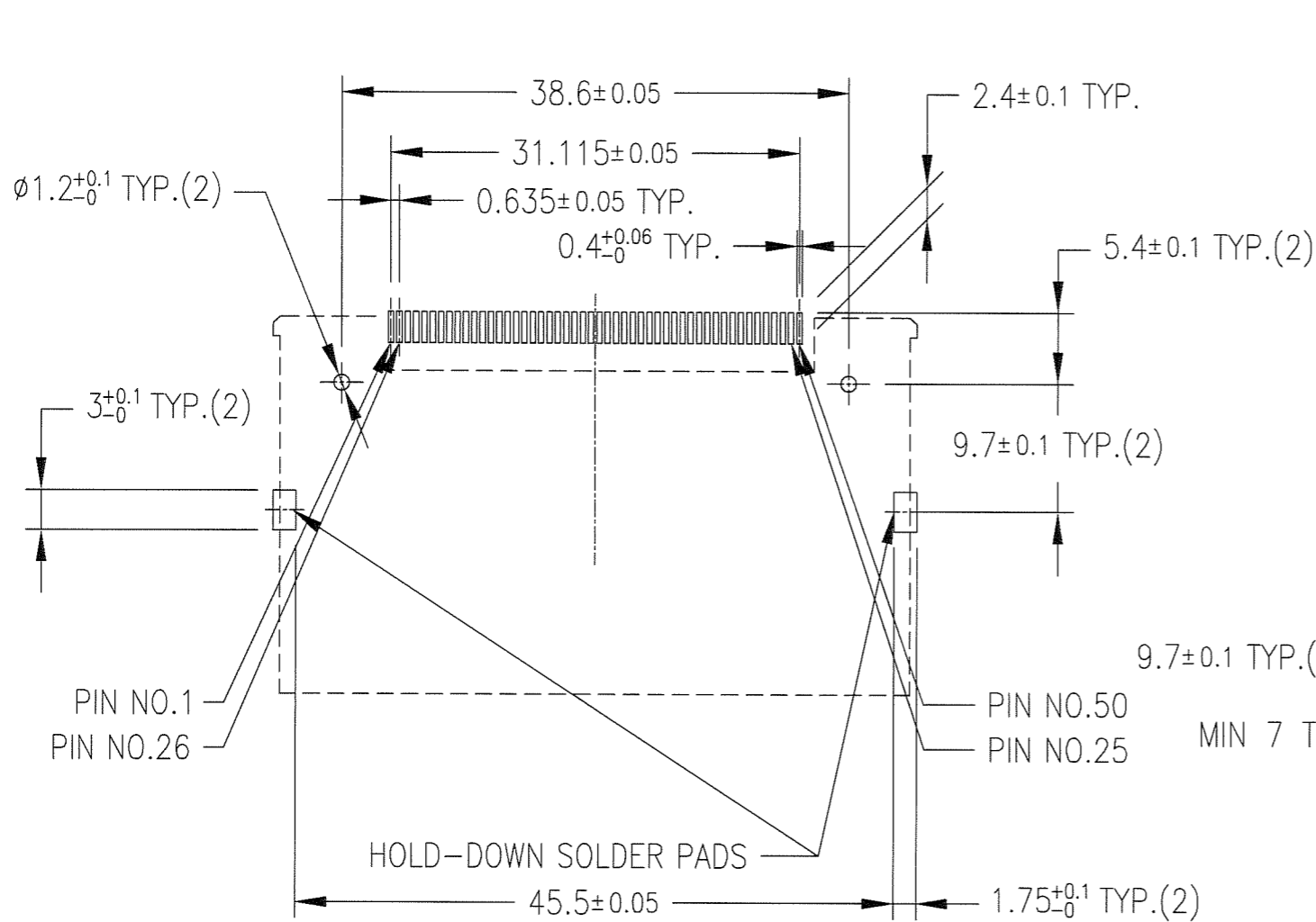
COMPONENT	MATERIAL	FINISH	QTY.
① HOUSING	FLAME RETARDANT RESIN	NONE (BLACK)	1
② PIN	PHOSPHOR BRONZE	UNDER : 1.0μm MIN. Ni CONTACT AREA : 0.76μm MIN. Au SOLDER TAIL : 0.05μm MIN. Au	50
③ HOLD DOWN	PHOSPHOR BRONZE	UNDER : 1.27μm MIN. Ni SOLDER TAIL : 2.0μm MIN. Sn	2

mat'l. code		surface		tolerance		projection		product family		CODE	
---		ISO 1302 <input checked="" type="checkbox"/>		ISO 406				5AZF - CF HEADER		JP	
				tolerances unless otherwise specified				title			
ltr	description	ecn no	dr	date	angles	linear	mm	COMPACT FLASH HDR			
A	RELEASED	J05-0357	M.H	6/16/05		0.X	±0.3	TOP MOUNT			
B	REVISED	J05-0748	R.S	10/31/05		0.XX	±0.3				
C	REVISED	J06-0315	R.S	8/1/06	0'±2'	0.XXX	±0.3	scale 2:1			
D	REVISED	J06-0399	R.S	10/20/06	dr	S.WATANABE	7/28/08	dwg no		sheet 7 of 8 size	
E	REVISED	J08-0316	S.W	7/28/08	enr	S.WATANABE	7/28/08	62453		A3	
								type		Product Customer Drawing	
										Rev.	
sheet index		revision sheet								E	

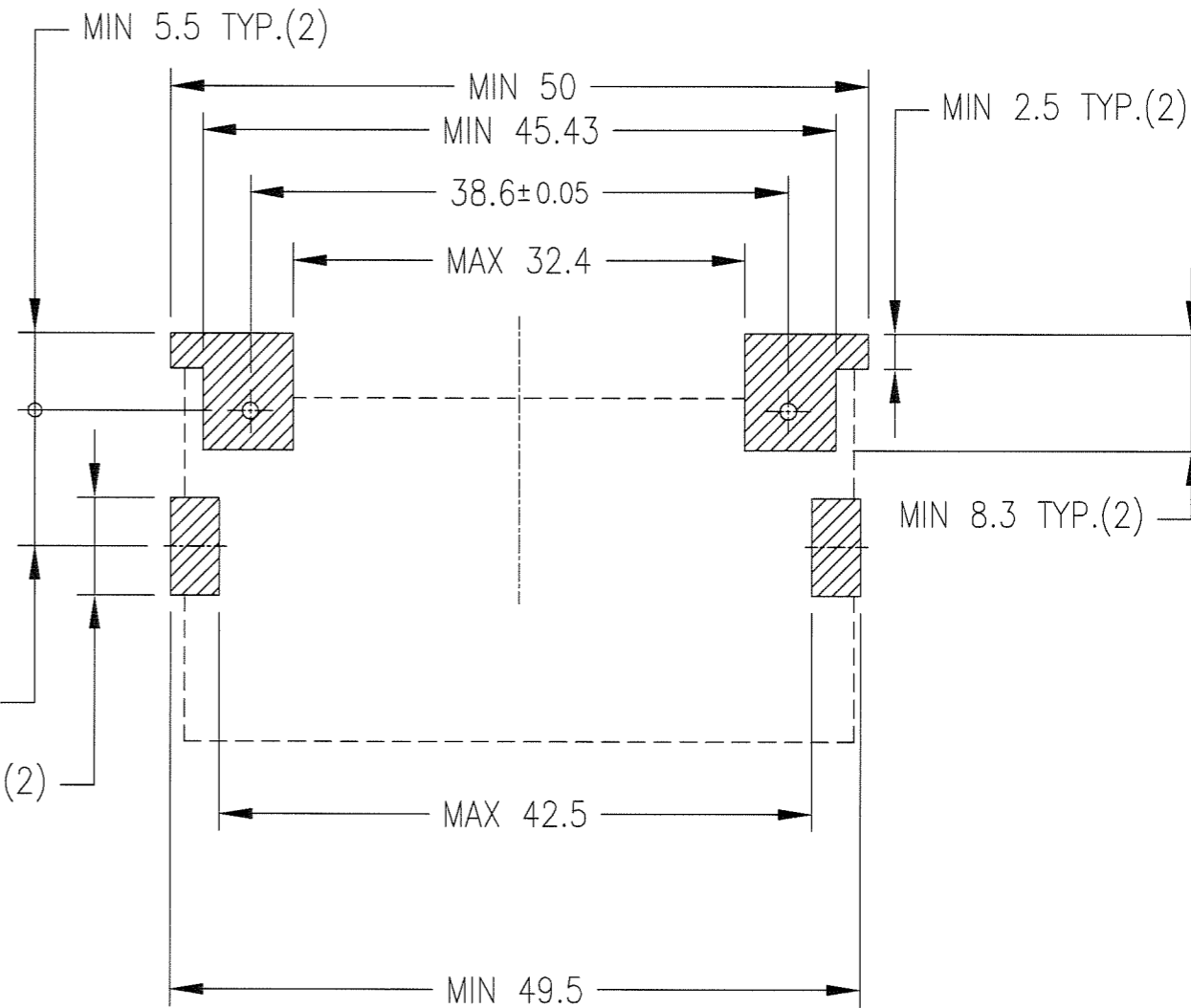


Copyright FCI

PRODUCT NO.	REMARKS
62453-622LF	WITHOUT METAL PLATE(M2 SCREWS)



RECOMMENDED P.C.B. LAYOUT



COMPONENT REFLOW KEEP OUT ZONE

NOTE

- PRODUCT SPECIFICATION : 110-404
- PACKAGING SPECIFICATION : GES-14-620
- SOLDER TAIL CO-PLANARITY : MAX 0.1
- FOR LEAD FREE P/N, THE PRODUCT MEETS EUROPEAN UNION DIRECTIVES AND OTHER COUNTRY REGULATIONS AS DESCRIBED IN GS-22-008.
- THE HOUSING WILL WITHSTAND EXPOSURE TO 260°C PEAK TEMPERATURE FOR 10 SECONDS IN A CONVENTION, INTRA-RED OR VAPOR PHASE REFLOW OVEN.
- MEASURED AT THE BOTTOM.

mat'l. code ---				surface ISO 1302 <input checked="" type="checkbox"/>		tolerance ISO 406 ISO 1101		projection 		product family 5AZF - CF HEADER		CODE JP
ltr	description	ecn no	dr	date	tolerances unless otherwise specified		mm		title COMPACT FLASH HDR TOP MOUNT			
A	RELEASED	J05-0357	M.H	6/16/05	angles	linear	0.X	±0.3	scale 2:1			
B	REVISED	J05-0748	R.S	10/31/05			0.XX	±0.3				
C	REVISED	J06-0315	R.S	8/1/06	0°±2'		0.XXX	±0.3	dwg no			
D	REVISED	J06-0399	R.S	10/20/06	dr	S.WATANABE	7/28/08	sheet 8 of 8		size		
E	REVISED	J08-0316	S.W	7/28/08	enr	S.WATANABE	7/28/08	62453		A3		
sheet index		revision sheet		chr		appd		type		Product Customer Drawing		
										Rev. E		