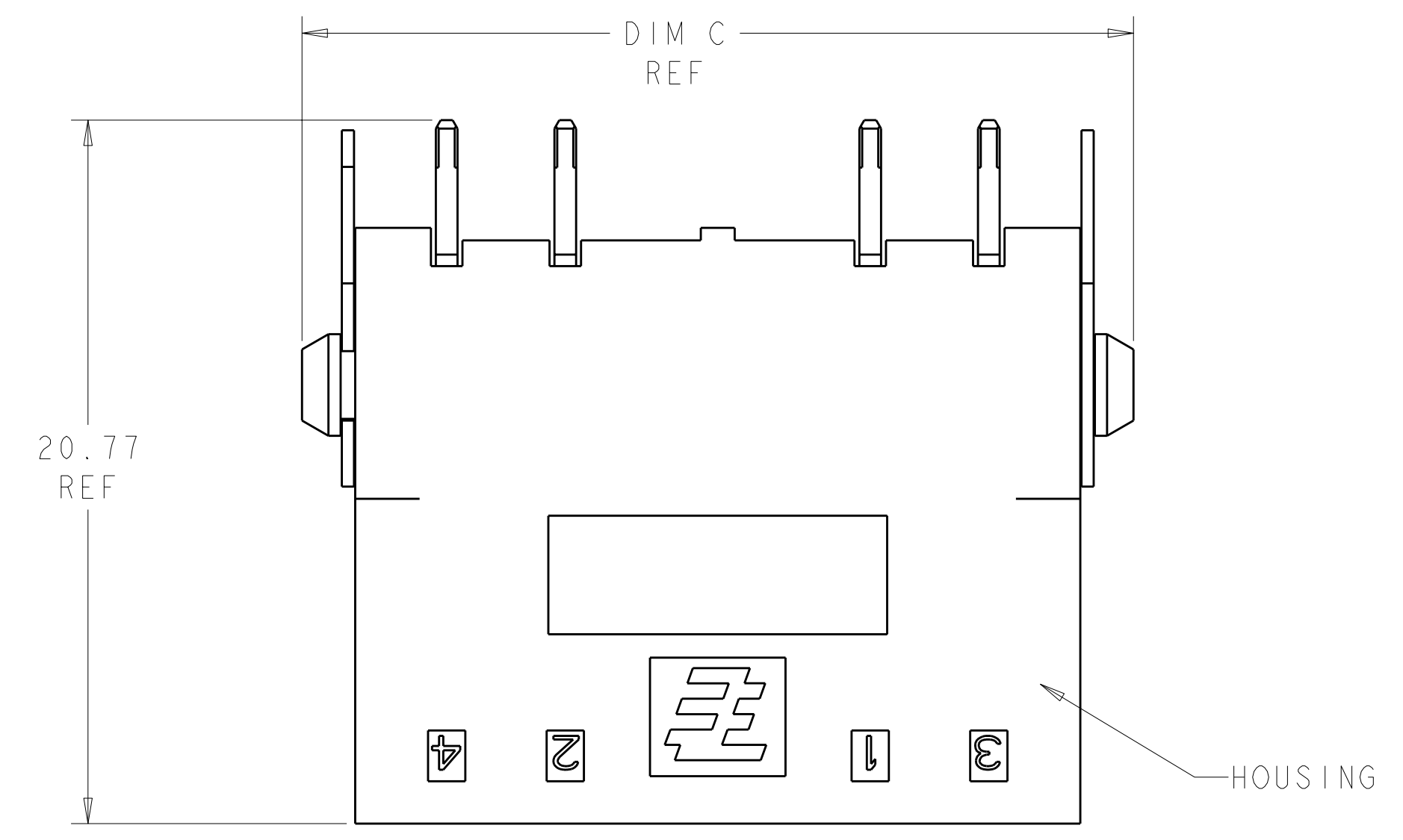
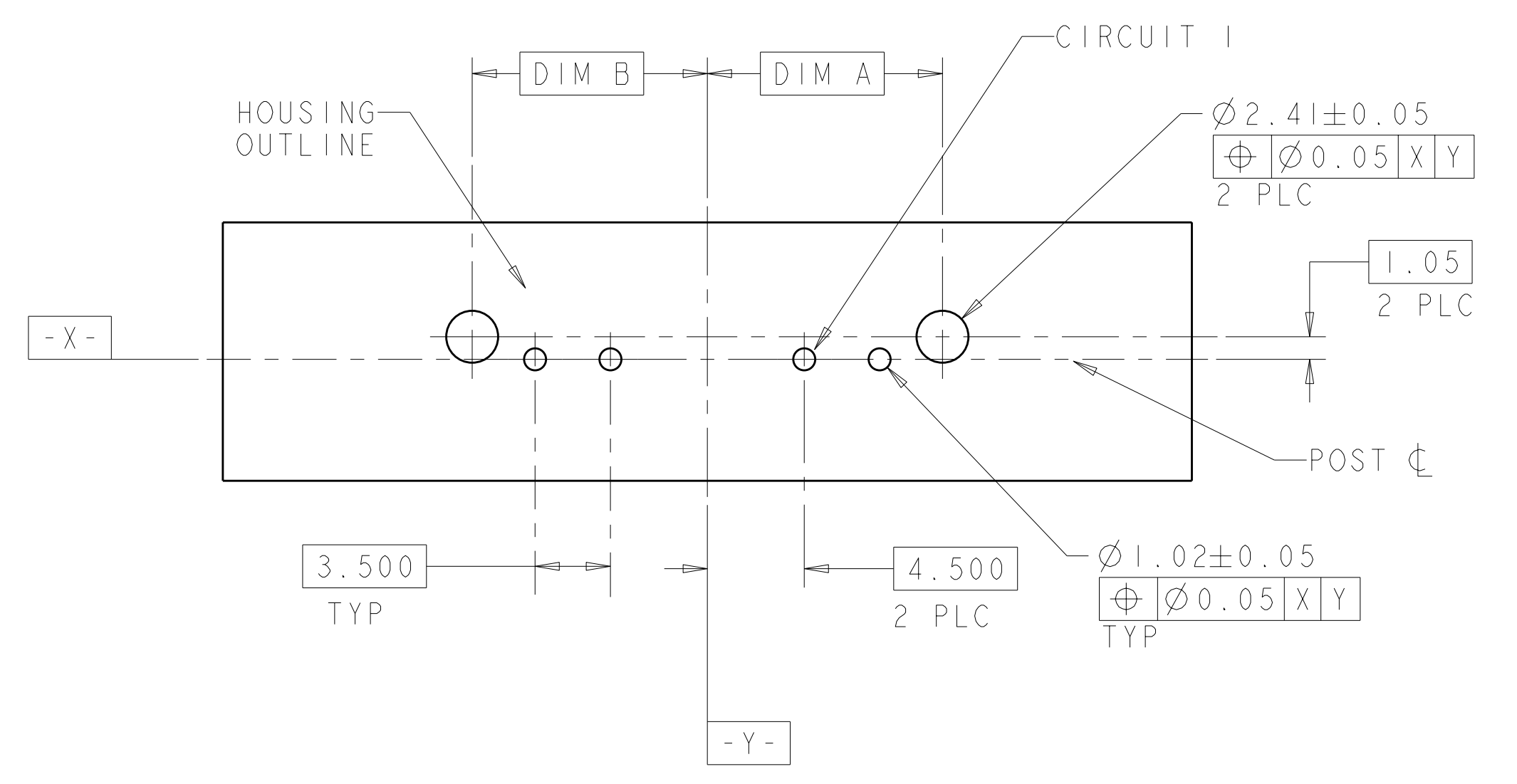
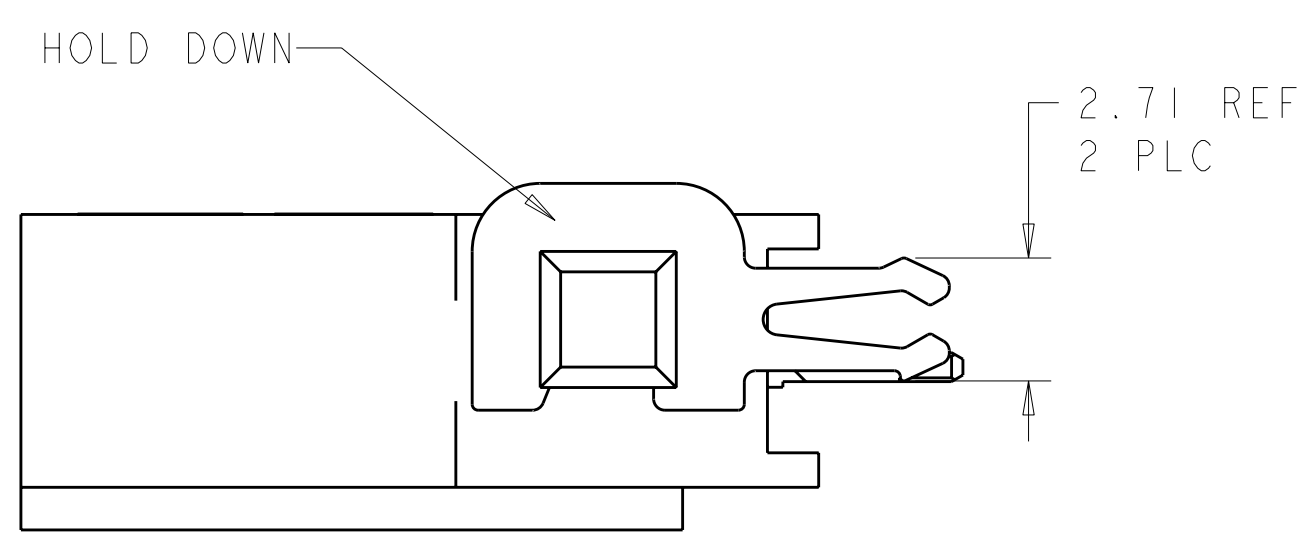
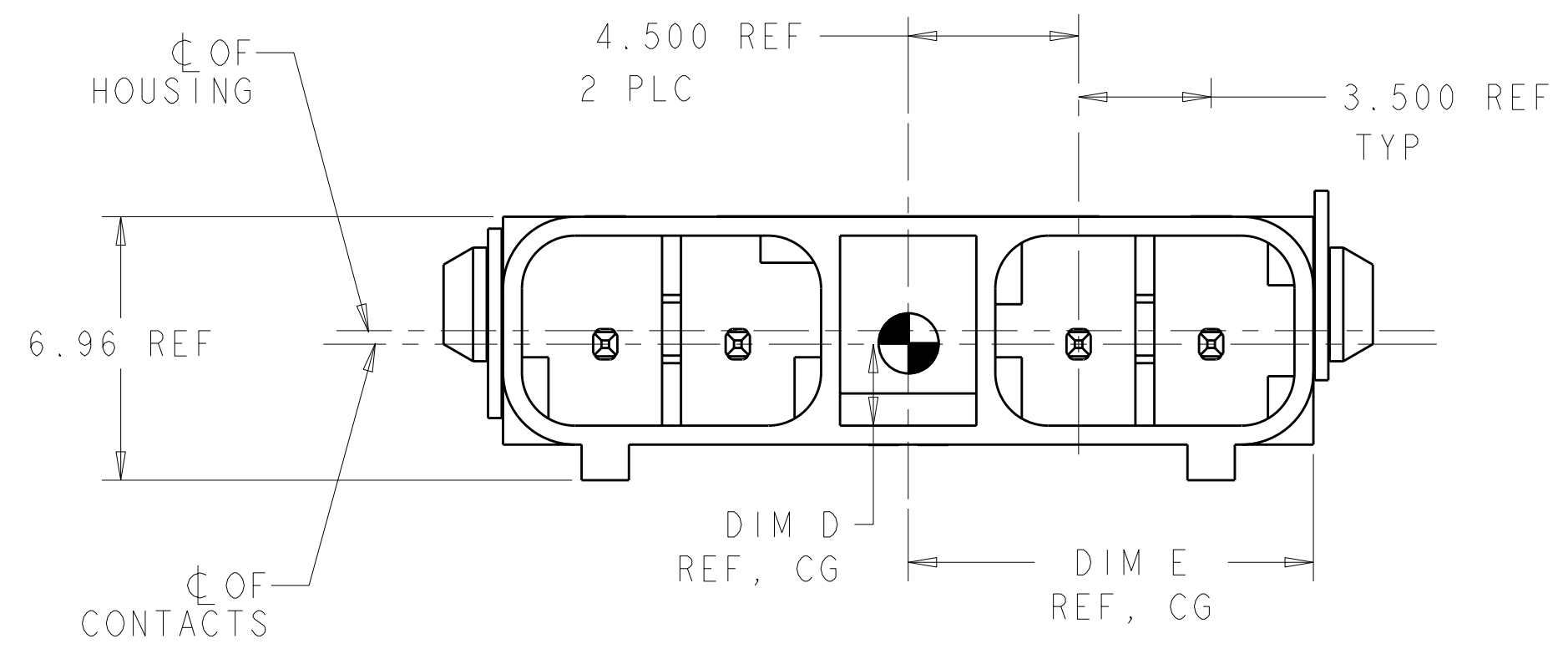


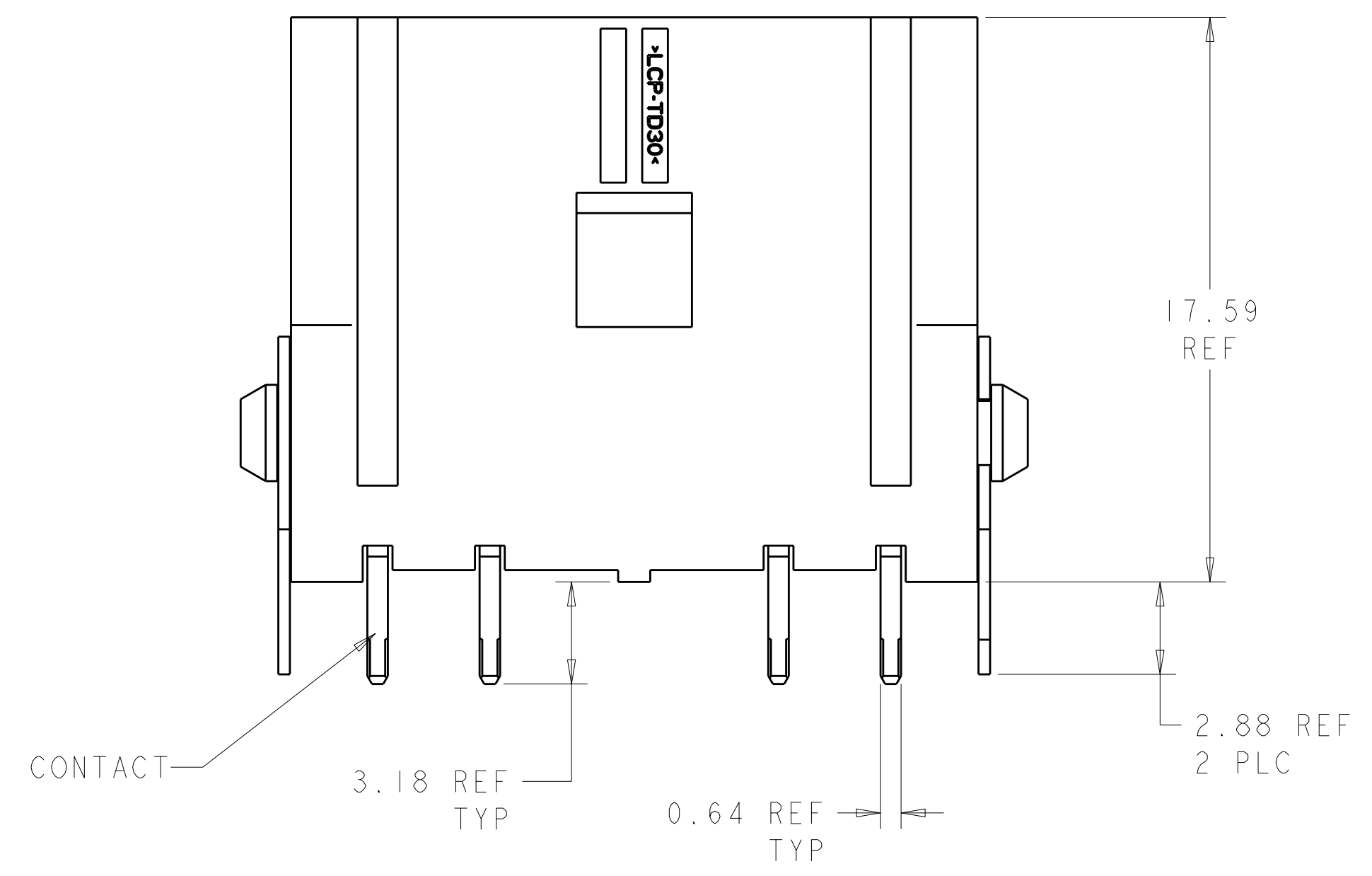
LOC	DIST	REV	DATE	BY	CHK	APPV
CM	00	A	07JUL2010	HMR	DD	



- △ MATERIAL: HOUSING: LCP, COLOR: BLACK.
- △ CONTACTS: BRASS.  
FINISH: 2.54μm MIN MATTE TIN OVER NICKEL (ENTIRE POST).
- △ HOLDDOWN: COPPER ALLOY.  
FINISH: 2.54μm MIN MATTE TIN OVER NICKEL.
- 4. THIS PRODUCT HAS NOT COMPLETED VALIDATION TESTING.
- △ RECOMMENDED PC BOARD THICKNESS OF 1.57.
- 6. PACKAGED IN TUBES.
- 7. MUST COMPLY WITH DIRECTIVE 2002/95/EC (ROHS).



RECOMMENDED PC BOARD HOLE LAYOUT, COMPONENT SIDE  
 DIMENSIONS APPLY TO ALL POSITIONS, UNLESS OTHERWISE NOTED



10.69	2.94	24.54	10.92	10.92	4	2106112-6
8.95	2.94	21.04	7.42	10.92	3	2106112-4
7.19	2.94	17.54	7.42	7.42	2	2106112-2
DIM E	DIM D	DIM C	DIM B	DIM A	POSN	PART NUMBER

DIMENSIONS: mm TOLERANCES UNLESS OTHERWISE SPECIFIED: 9 PLC ±0.5 2 PLC ±0.13 5 PLC ±0.013 4 PLC ±0.0001 ANGLES ±2°		DWN: MM VAN SCOOC 19FEB2009 CHK: A. BUCHER 19FEB2009 APVD: A. BUCHER 19FEB2009		Tyco Electronics Harrisburg, PA 17105-3608	
MATERIAL: △ FINISH: △△△		PRODUCT SPEC: 108-2391 APPLICATION SPEC: 114-13261		NAME: ASSEMBLY, VERTICAL THRU HOLE HEADER, SLIMSEAL SSL CONNECTOR SIZE: CAGE CODE DRAWING NO: A100779C-2106112 WEIGHT: - SCALE: 4:1 SHEET 1 OF 1 REV A	
CUSTOMER DRAWING					