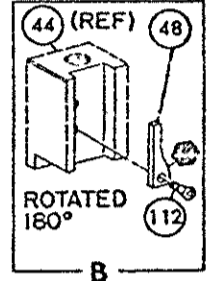


SPECIAL PRE-FEED  
1 7/8\"/>



NOTES:

1- ONLY THE ITEMS WITH QUANTITIES SPECIFIED ON PARTS LIST ARE USED ON THIS APPLICATOR.

△ USED IN PLACE OF ITEM 38 WHEN INSULATION CRIMP IS NOT USED.

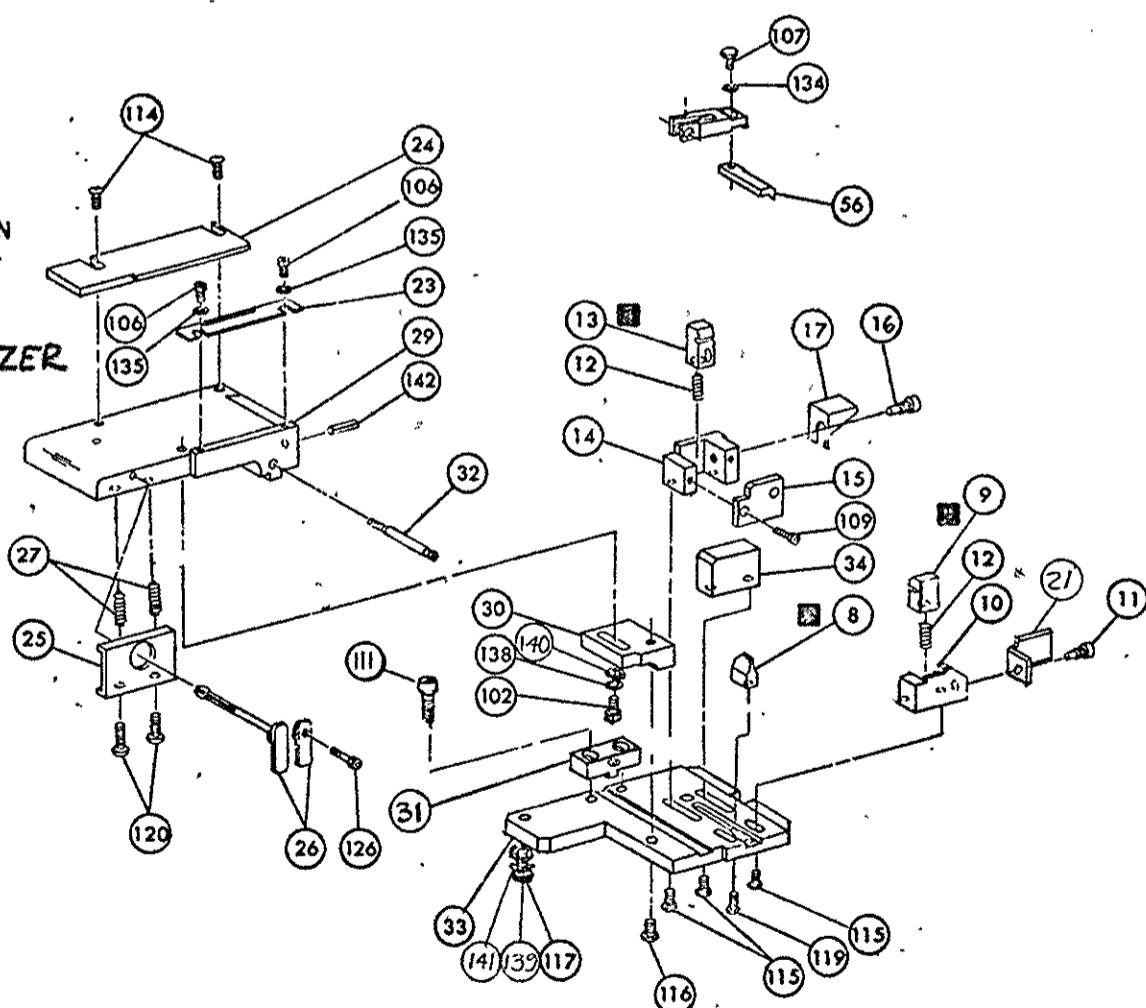
3-FEED PIVOT-CENTER HOLE

▲ GUIDE OFF STABILIZER BARREL.

KEY:

☐ RECOMMENDED SPARE PARTS

🛢 GREASE WEEKLY



74 MOUNTS BETWEEN ITEMS 2 & 75.

QTY	PART NO	DESCRIPTION	ITEM NO	QTY	PART NO	DESCRIPTION	ITEM NO
1	45567-1	PLATE, TERMINAL NO	145				59
2	620101-2	PLATE, SERIAL NO	144				58
			143				57
1	4-21028-0	PIN, SLOT SPR (.093 DIA X .75) STR G PLATE	142	REF	1-694433-4	PAWL FEED	56
1	21899-2	WASHER, FLAT (NO 10) MOUNTING	141				55
1	21899-2	WASHER, FLAT (NO 10) S. G. ADJ BLOCK	140				54
1	21024-5	WASHER, LOCK (NO 10) MOUNTING	139				53
1	21024-5	WASHER, LOCK (NO 10) STRIP GUIDE ADJ BLOCK	138				52
			137	1	811242-2	BUMPER, HOLDDOWN	51
			136	1	690753-1	SPACER, TONKER	50
2	21057-2	WASHER, LOCK (NO 4) FRONT STRIP GUIDE	135	1	7-21002-9	BOLT, CRIMPER (BUT. HD. 5/16-24 UNF X 1.00)	49
REF	21024-4	WASHER, LOCK (NO 8) FEED FINGER	134	1	690602-6	CAM PRE FEED 1.62 STROKE	48
2	21024-4	WASHER, LOCK (NO 8) DEPRESSOR	133				47
REF	21024-4	WASHER, LOCK (NO 6) STRIPPER	132				46
			131	1	690191-1	PLUG, NYLON	45
			130	1	455673-1	RAM	44
1	21068-5	NUT, HEX MACH (6-32) HOLDDOWN	129	1	690125-1	WASHER, LAMINATED	43
			128	1	690124-1	WASHER, RAM	42
			127				41
			126	2	23241-6	BALL, STEEL	40
			125	2	690170-1	SPRING, COMPRESSION	39
1	21009-2	SCR, SKT SET (1/4-20 X .25) (LOC-WEL) RAM	124	1	690142-1	DISC, INSULATION	38
			123	1	5-690692-9	DISC, WIRE	37
2	21017-2	SCR, DRIVE (#2 X .188 LG)	122	1	22480-5	WASHER, SPRING	36
1	819347-1	PLATE, I.D.	121	1	690212-1	POST, RAM	35
2	2-21002-9	SCR, BUT HD SKT CAP (10-32 X .75) DRAG	120	1	460712-2	SUPPORT, TERMINAL	34
1	22733-8	SCR, BUT HD SKT CAP (8-32 X .38) (LOC-WEL) ANVIL	119	1	462544-1	PLATE, BASE SPECIAL	33
			118	1	690432-3	SCREW, ADJUSTMENT	32
1	3-21000-9	SCR, SOC HD SKT CAP (10-32 X 1.00) MOUNTING	117	1	462543-1	BLOCK, SCREVVY SPECIAL	31
2	2-22733-1	SCR, BUT HD SKT CAP (10-32 X .50) SG ADJ BLOCK	116	1	455689-1	BLOCK, STRIP GUIDE ADJ	30
4	22733-9	SCR, BUT HD SKT CAP (8-32 X .50) SHEAR	115	1	455671-3	PLATE, STRIP GUIDE	29
2	2-21002-2	SCR, BUT HD SKT CAP (8-32 X .50) R STRIP GUIDE	114	1	455888-4	SPACER, FRONT SHEAR DEPRESSOR	28
			113	2	1-72284-1	SPRING, DRAG	27
1	1-21002-7	SCR, BUT HD SKT CAP (6-32 X .50) CAM	112	1	690546-1	LEVER, DRAG RELEASE	26
2	2-21000-7	SCR, SKT HD CAP (6-32 X .25) (LOC-WEL) CP DISC	111	1	240792-1	DRAG, STOCK	25
2	23030-1	SCR, SKT HD CAP (6-32 X .25) REAR SHEAR PLATE	109	1	6-690504-3	GUIDE STRIP (REAR)	24
2	2-21000-7	SCR, SKT HD CAP (8-32 X .50) DEPRESSOR (REAR)	108	1	690438-1	GUIDE, STRIP (FRONT)	23
REF	2-21002-1	SCR, BUT HD SKT CAP (8-32 X .38) FEED FINGER	107	1	463756-1	GUIDE, SCRAP	21
2	1-21000-3	SCR, SKT HD CAP (4-40 X .25) F STRIP GUIDE	106				20
REF	2-21002-1	SCR, BUT HD SKT CAP (8-32 X .38) STRIPPER	105	REF	462615-1	STRIPPER	19
			104				18
			103				17
			102				16
			101				15
			79				14
			78				13
2	463310-6	BLADE, STRIPPING (#22)	77	1	5-22280-0	SPRING, SHEAR	12
			76	1	690461-2	STOP, SHEAR (FRONT)	11
1	455888-5	SPACER, CRIMPER	75	1	462548-1	HOLDER, SHEAR (FRONT) SPECIAL	10
1	461679-3	CRIMPER, STABILIZER	74	1	462547-1	SHEAR, FLOAT (FRONT) SPECIAL	9
			73	1	9-690471-5	ANVIL	8
2	690603-1	SPRING, ASSIST	72				7
			71				6
			70	1	462838-1	DEPRESSOR, SHEAR (REAR)	5
			69	1	1-238011-0	SPACER, TUBULAR, INS CRIMPER	4
			68	1	5-456135-1	CRIMPER, INSULATION	3
			67	1	455888-3	SPACER, CRIMPER	2
			66	1	2-456402-5	CRIMPER, WIRE	1
65			64				
63			62				
61			60				
REF	816472-1	STOP, WIRE					

REMARKS	NO	REV
APPL USED ON MACHINE PART NO	MACH SERIAL NO	DISTRIBUTION
CUSTOMER NAME	APPL SERIAL NO	ORIGINAL
ADDRESS	PURCHASE ORDER	CUSTOMER COPY
CITY	ENG APP	FIELD ENG COPY

CRIMP	SIZE	TYPE	FEED	APPL INST
WIRE	.055	F	.330	A1
INSUL	.070	0*		
WIRE RANGE	26-22	INSULATION RANGE	.038-.062	PRESS NO
				463345-1

APPLICATOR WILL APPLY

87124
87330
87846

WIRE RANGE 26-22 INSULATION RANGE .038-.062 PRESS NO 463345-1

REMARKS

\*INS CRIMP HEIGHT TO BE .072 MAX.

SIM 687676

ECN R-6696  
ECN R-1249  
ECN R-6547  
REV PER R-5172  
REV PER R-5105  
ADD TECH SERIAL R334  
REV ITEM 27 R2377

SET UP GAGE 10-1  
574

AMP INCORPORATED  
Harrisburg Pa

AMP INCORPORATED  
Harrisburg Pa

NO 466930-1

NAME AMPOMATIC STRIPPER CRIMPER APPLICATOR  
SIDE FEED CONTACT ASSY.

REVISION RECORD

DATE CODE 00776

CUSTOMER AND ASSEMBLY DRAWING

466930-1

THIS DRAWING UNAPPROVED BY AMP INCORPORATED ALL RIGHTS RESERVED COPYRIGHT 1998

AMP 2983-3 (8-73)