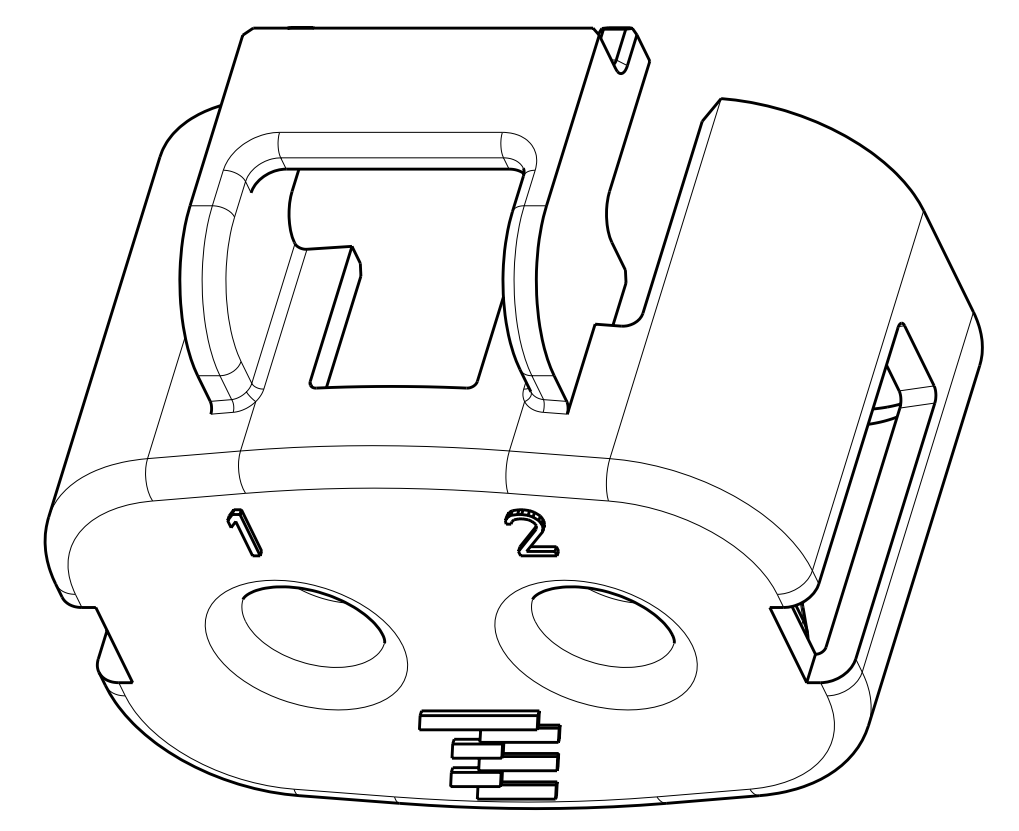
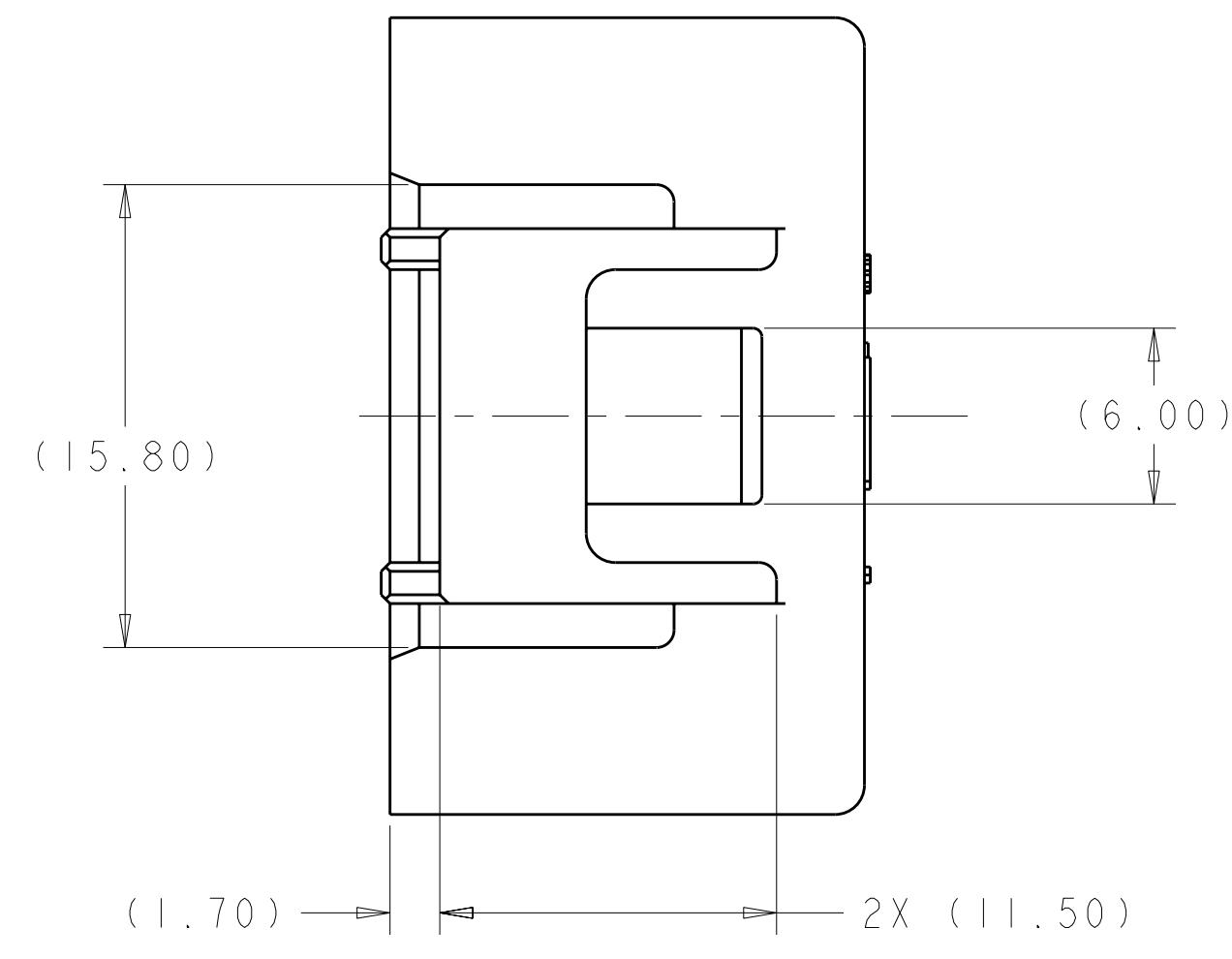
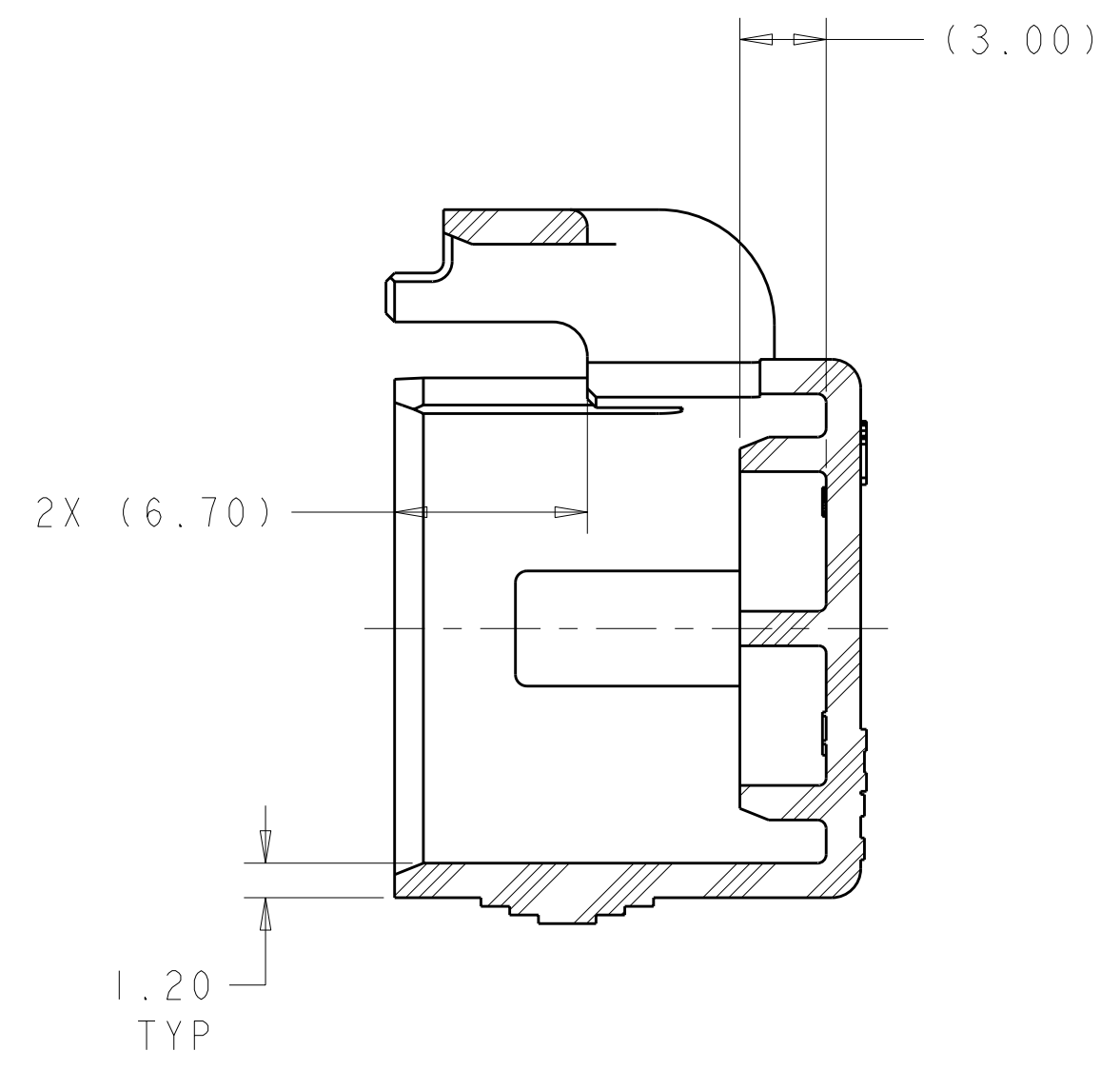
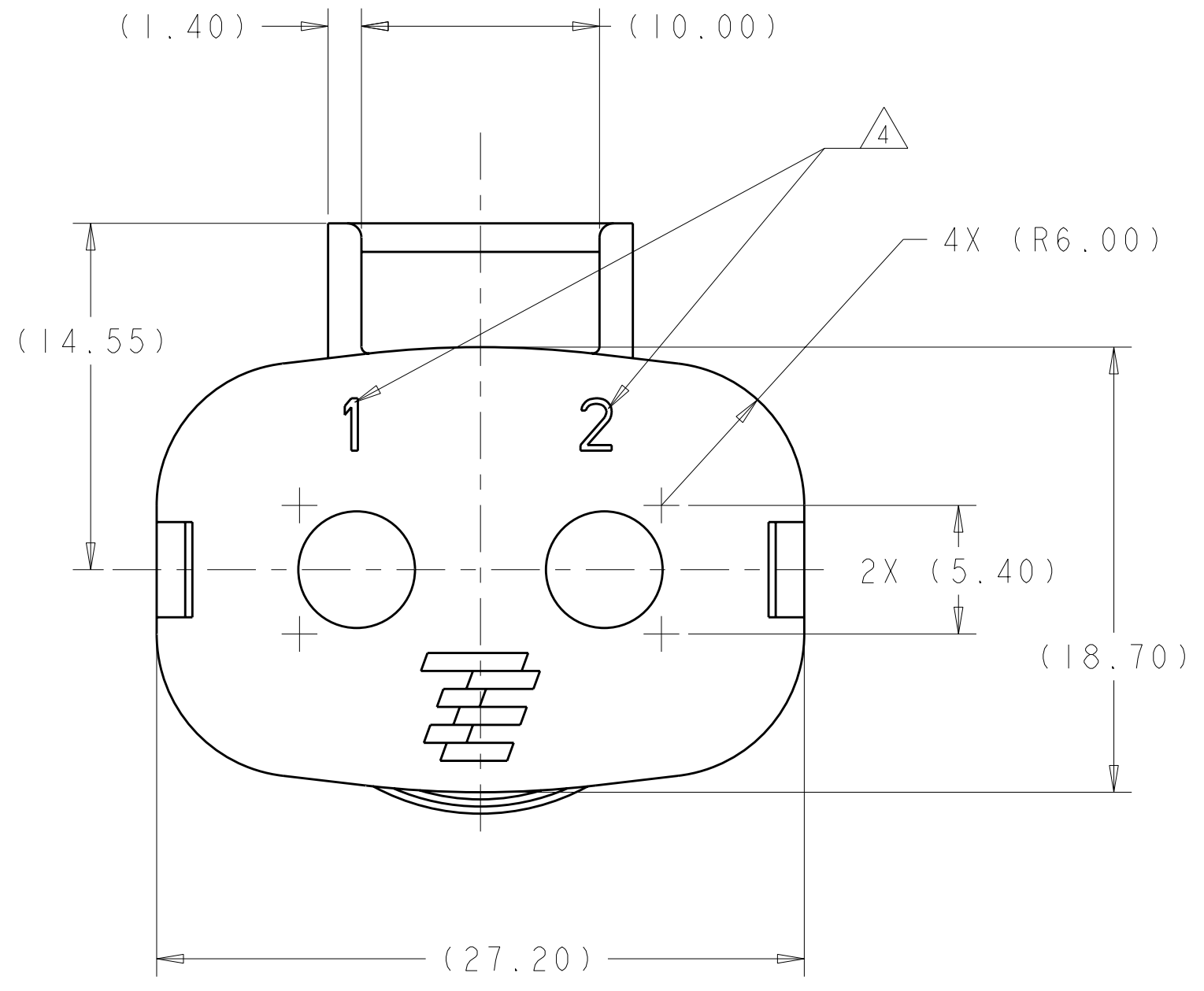
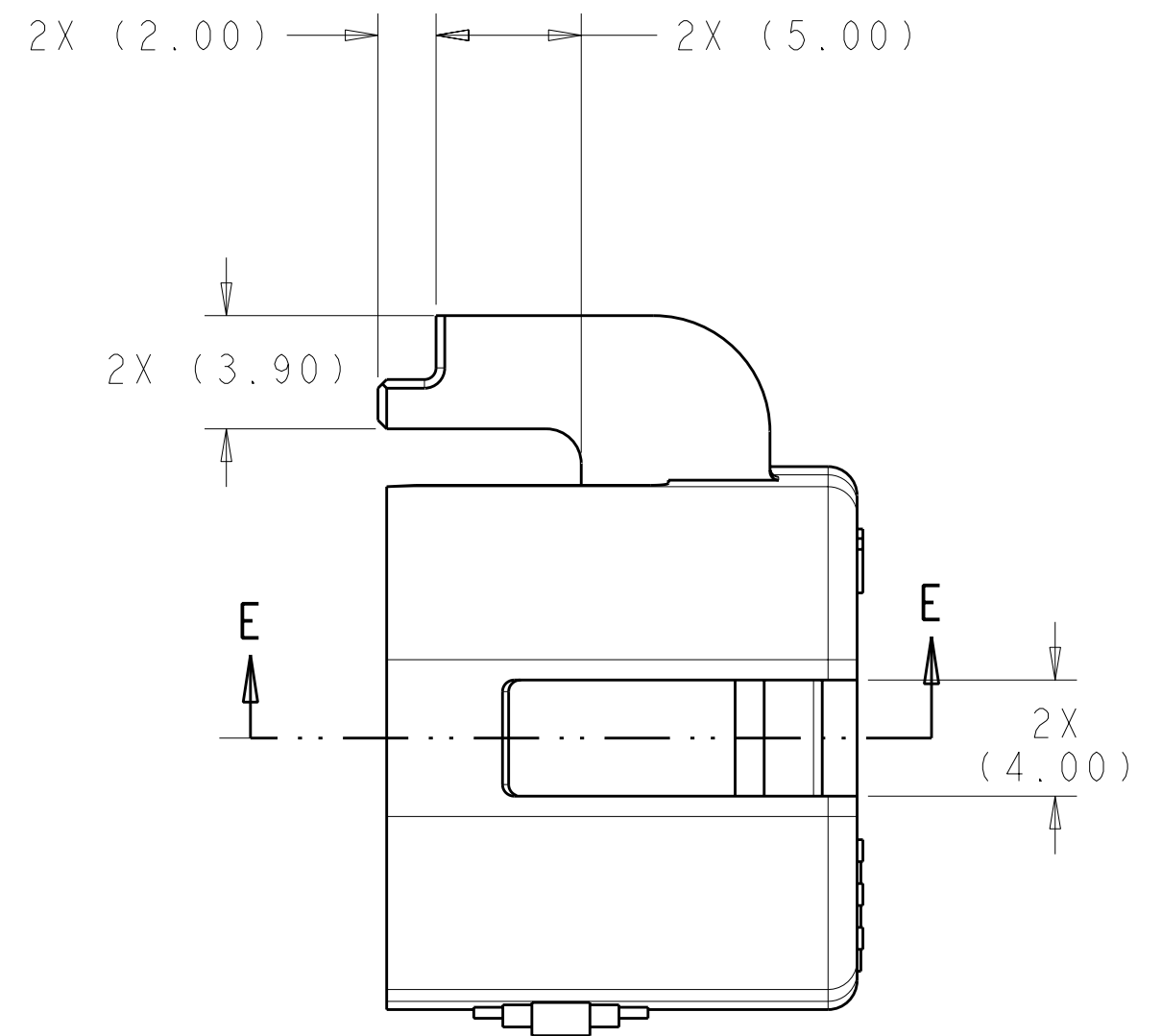
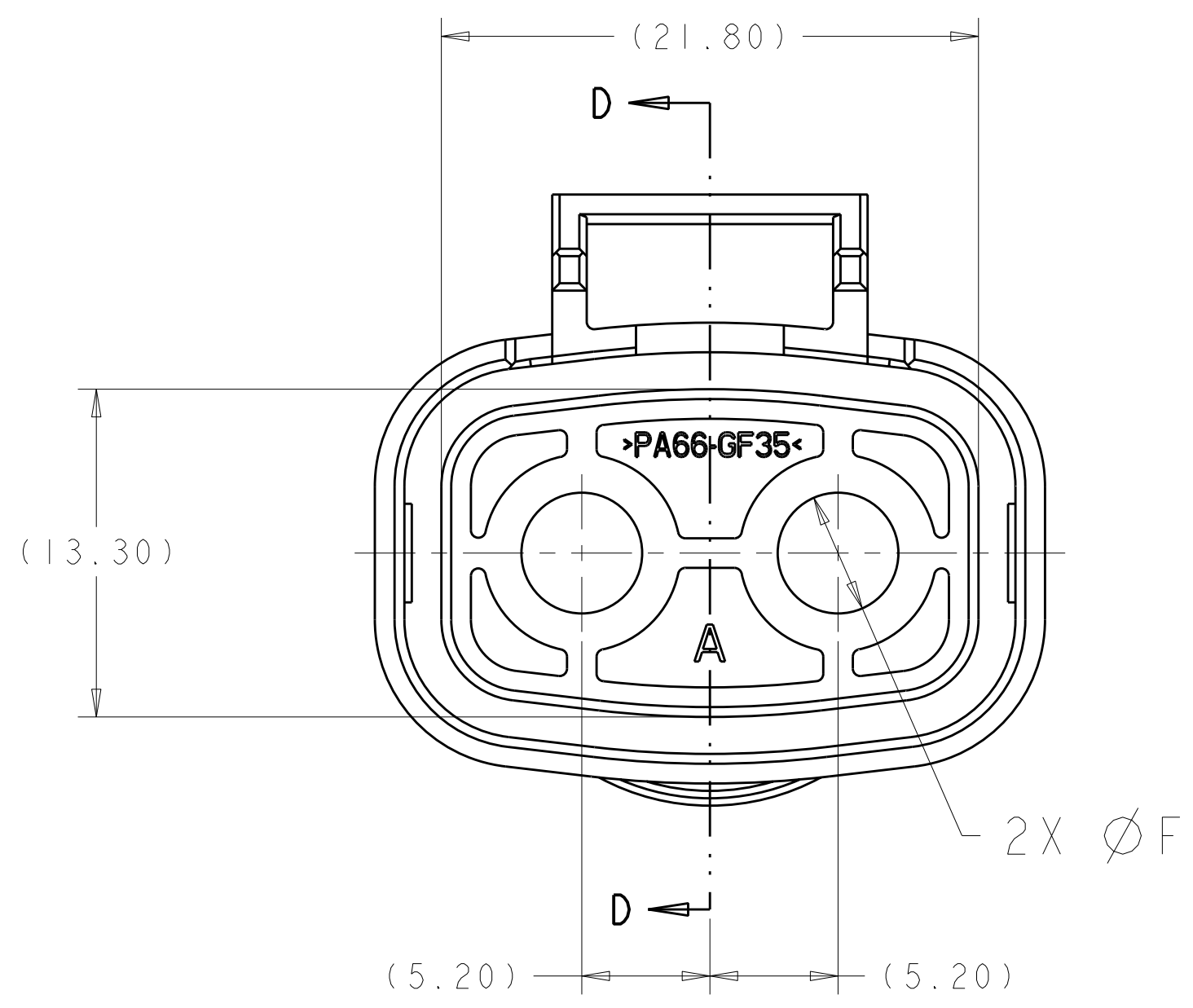


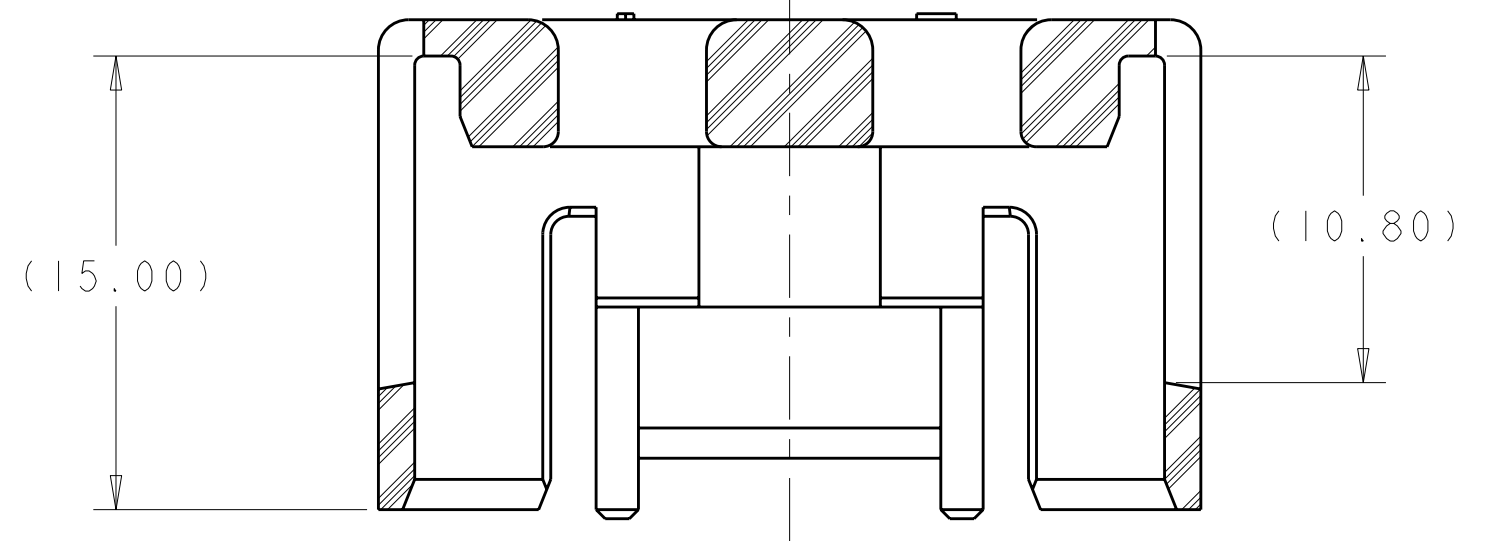
| LOC | | DIST | | REVISIONS | | | |
|-----|-----------|------|------|---------------|------|-----|------|
| REV | DATE | BY | APPD | DESCRIPTION | DATE | OWN | APVD |
| B1 | 23MAR2011 | DS | AT | ECO-11-006038 | | | |



SECTION D-D
REMOVED



- △ MATERIAL :
TYPE : PA66 35%GF
COLOR : SEE TABLE
- 2. FEATURES DENOTED BY REFERENCE DIMENSIONS
MUST BE INSPECTED FOR PRESENCE
- 3. PART MUST BE FREE OF EXCESSIVE FLASH, MIS-MATCH,
SINK MARKS, OR OTHER VISUAL IMPERFECTIONS THAT
MAY AFFECT PRODUCT FIT FORM OR FUNCTION
- △ 4 CIRCUIT ID
- △ 5 PRELIMINARY PART—NOT RELEASED FOR PRODUCTION



SECTION E-E
REMOVED, ROTATED 90° CCW

| COLOR | MIN | MAX | F | DESCRIPTION | PART NO |
|---------|------|------|------|-----------------------------|-----------|
| DK GRAY | 5.48 | 6.10 | 6.20 | CABLE SEAL RETAINER, SIZE C | 1587827-3 |
| ORANGE | 4.76 | 5.48 | 5.60 | CABLE SEAL RETAINER, SIZE B | 1587827-2 |
| BLACK | 4.11 | 4.76 | 4.90 | CABLE SEAL RETAINER, SIZE A | 1587827-1 |

THIS DRAWING IS A CONTROLLED DOCUMENT.

| | | | |
|-------------|--|------------------|-----------|
| DIMENSIONS: | TOLERANCES UNLESS OTHERWISE SPECIFIED: | DWN | 05JUN2009 |
| mm | 0 PLC ±.2 | DRN | D SIMPSON |
| | 1 PLC ±0.2 | CHK | A TYLER |
| | 2 PLC ±0.10 | APVD | |
| | 3 PLC ±0.100 | NAME | |
| | 4 PLC ±0.0001 | PRODUCT SPEC | 108-2394 |
| | ANGLES ±.1° | APPLICATION SPEC | 114-13259 |
| MATERIAL: | FINISH: | WEIGHT | |
| | | | |

STE TE Connectivity

CABLE SEAL RETAINER
HVA280-2P1

SIZE CAGE CODE DRAWING NO RESTRICTED TO
A100779C=1587827

CUSTOMER DRAWING SCALE 4:1 SHEET 1 OF 1 REV B1