

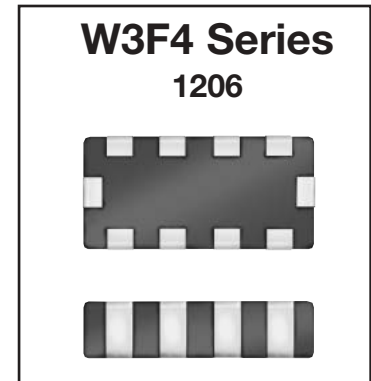
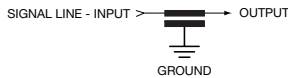
# Feedthru 0805/1206 Capacitors



## W3F4 Series - 4 Element 1206 Feedthru Array

### GENERAL DESCRIPTION

The Feedthru Capacitor Array contains four elements with a common ground connection. This makes them an ideal choice for Multi-line designs needing EMI suppression, broadband I/O filtering or Vcc power line conditioning. Additional benefits are reduced component count and PCB space savings. The unique construction provides low parallel inductance and offers excellent decoupling capability for all high di/dt environments. It provides significant noise reduction in digital circuits to <5 GHz. A number of capacitor values are available in NPO and X7R ceramic dielectrics.



### CAPACITOR VALUES

Part Number	Size	Voltage	Dielectric	Capacitance
W3F41A 220 8ATxx	1206	100V	NPO	22pF
W3F41A 470 8ATxx	1206	100V	NPO	47pF
W3F41A 101 8ATxx	1206	100V	NPO	100pF
W3F45C 221 8ATxx	1206	50V	X7R	220pF
W3F45C 471 8ATxx	1206	50V	X7R	470pF

### PERFORMANCE CHARACTERISTICS

	NPO	X7R
Capacitance Tolerance	+50%, -20%	+50%, -20%
Voltage Rating	100V	50V
Current Rating	300mA	300mA
Insulation Resistance	1000MΩ	1000MΩ
DC Resistance	<0.6Ω	<0.6Ω
Operating Temperature Range	-55 to +125°C	

### HOW TO ORDER

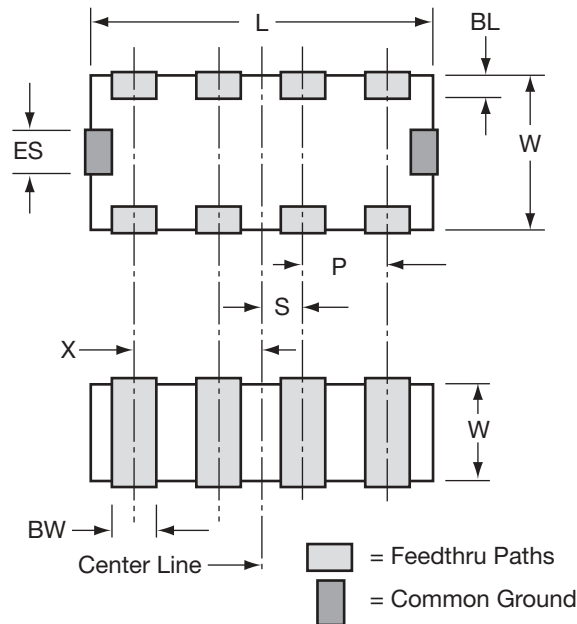
<b>W</b>	<b>3</b>	<b>F</b>	<b>4</b>	<b>5</b>	<b>C</b>	<b>223</b>	<b>8</b>	<b>A</b>	<b>T</b>	<b>3</b>	<b>A</b>
<b>Style</b>	<b>Size</b>	<b>Feedthru</b>	<b>Number of Elements</b>	<b>Voltage*</b>	<b>Dielectric</b>	<b>Capacitance Code</b>	<b>Capacitance Tolerance</b>	<b>Failure Rate</b>	<b>Terminations</b>	<b>Packaging Code (Reel Size)</b>	<b>Quantity Code (Pcs./Reel)</b>
	2=0805 3=1206			1=100v 5=50v	A=NPO C=X7R		8=+50/-20%	A=Not Applicable	T=Plated	1=7" Reel Embossed Tape 3=13" Reel Embossed Tape	F=1,000 A=2,000, 4,000 or 10,000

\*Note: NPO available in 100V only and X7R available in 50V only.

# Feedthru 0805/1206 Capacitors



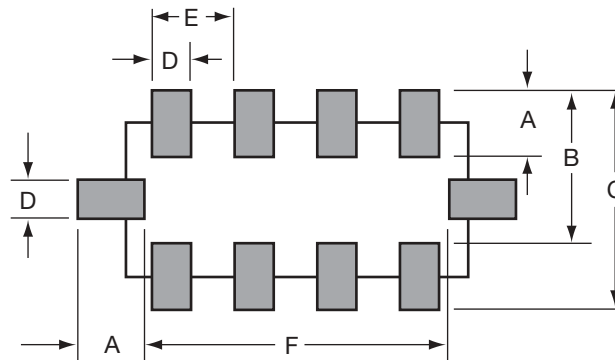
## W3F4 Series - 4 Element 1206 Feedthru Array



### DIMENSIONS

millimeters (inches)

L	W	T	BW	BL	P	X	S	ES
3.25±0.15 (0.128±0.006)	1.60±0.20 (0.063±0.008)	1.22 max (0.048 max)	0.41±0.10 (0.016±0.004)	0.18 <sup>+0.25</sup> <sub>-0.08</sub> (0.007 <sup>+0.010</sup> <sub>-0.003</sub> )	0.76 ref. (0.030 ref.)	1.14±0.10 (0.045±0.004)	0.38±0.10 (0.015±0.004)	0.41±0.10 (0.016±0.004)



### PAD LAYOUT DIMENSIONS

	A	B	C	D	E	F
mm	0.6	1.6	2.2	0.35	0.76	2.6
Inches	(0.024)	(0.064)	(0.088)	(0.014)	(0.030)	(0.104)

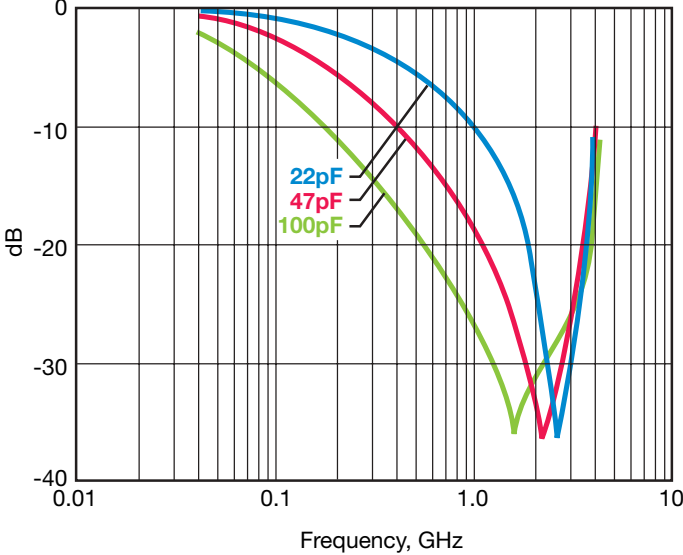
# Feedthru 0805/1206 Capacitors



## W3F4 Series - 4 Element 1206 Feedthru Array

### PERFORMANCE CHARACTERISTICS

S21 vs. Frequency  
NP0 4 Element Feedthru



S21 vs. Frequency  
X7R 4 Element Feedthru

