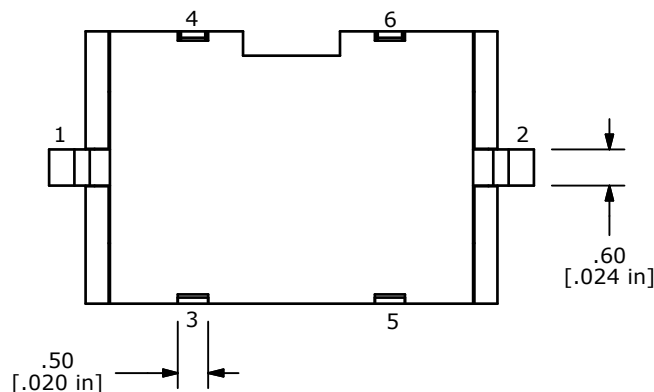
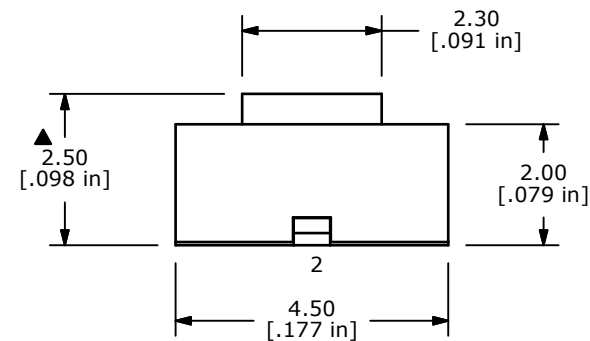
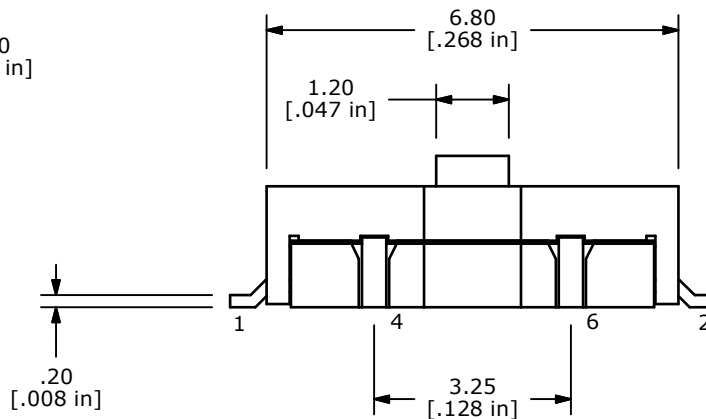
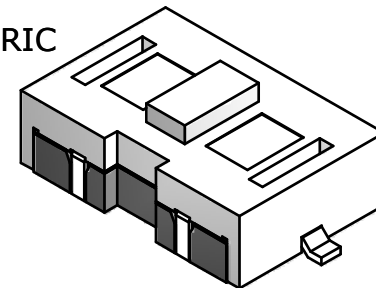


ISOMETRIC



- NOTES:
1. ALL DIMENSIONS IN MM [INCH]
  2. GENERAL TOLERANCE: X.X=± 0.4  
X.XX=± 0.25
  3. RATING: 12VDC, 50mA MAX.
  4. CONTACT RESISTANCE: 500mΩ MAX.
  5. INSULATION RESISTANCE: 100VDC, 100MΩ MIN.
  6. TRAVEL: 0.25 mm
  - ▲ 7. OPERATING FORCE: 160 +75/-30gf
  8. OPERATING TEMPERATURE: -20°C TO 70°C
  9. OPERATING LIFE: 30,000 CYCLES.
  10. PACKAGING: TAPE & REEL, 3000 PIECES PER REEL
  11. ▲ DENOTES CRITICAL PARAMETER
  12. 2002/95/EC (ROHS) COMPLIANT

LED Specifications	Units	BLUE	WHITE
Forward Current	mA	15	30
Forward Voltage	V	3.5-3.8	3.5-4.0
Luminous Intensity@20mA	mcd	45	180



C	18119	CORRECT BLUE / WHITE LED POSITIONS	6/2/08	BLR
B	18117	CORRECT DRAWING VIEWS (MODELS)	5/29/08	BLR
REV	PCR NO	DESCRIPTION	DATE	BY

TITLE TL3200AF160BWQ				
SCALE 8:1	DATE 6/2/2008	DR BLR	DWG B200106	REV C

THE INFORMATION CONTAINED IN THIS DOCUMENT IS PROPRIETARY TO E-SWITCH AND IS NOT TO BE COPIED OR TRANSFERRED