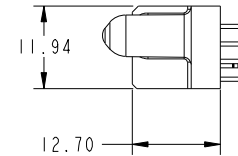
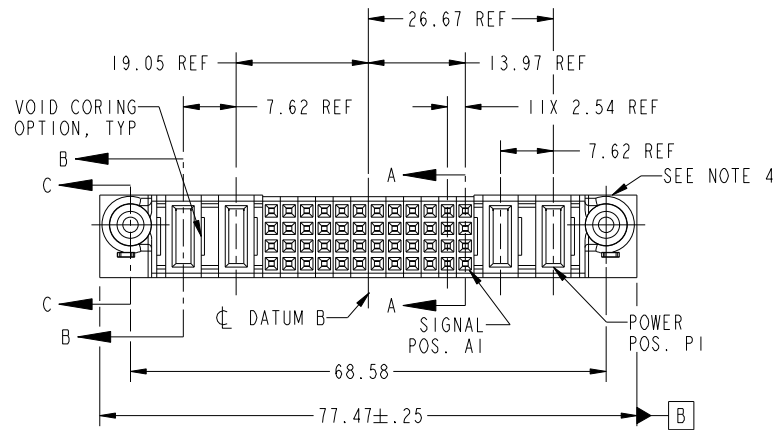


Tous droits strictement reserves. Reproduction ou communication a des tiers interdite sous quelque forme que ce soit sans autorisation écrite du propriétaire. Propriete de c FCI. Droits de reproduction FCI.



All rights strictly reserved. Reproduction or issue to third parties in any form whatever is not permitted without written authority from the proprietor. Property of FCI. Copyright FCI.

PRODUCT NO.	ROWS	POWER		SIGNAL								POWER							
		E2	P4	P3	12	11	10	9	8	7	6	5	4	3	2	1	P2	P1	E1
51940-221-- NOTE: 3	D C B A																		



CODE	DIM "M" MATING LENGTH	CONTACT TYPE
E	[N/A]	SIGNAL
PA	[1.07]	POWER
HA	[N/A]	HOLD-DOWN

mat'l code				SEE NOTES		tolerances unless otherwise specified		CUSTOMER		www.fciconnect.com	
ltr	ecn no.	dr	date	linear	0.X ± 0.3	projection		COPY		title	
A	DG07-0092	JMG	03/20/07	angles	0.XX ± 0.13					2ACP + 48S + 2ACP VERTICAL SOLDER RECEPT	
					0.XXX ± 0.051					product family PwrBlade code 213	
				dr	0° ± 2°	scale		size		sheet	
				enrg	JM GUO 03/20/07	1:1		A		1 of 4	
				chr	RYAN YUAN 03/20/07			dwg no		51940-221	
				appd	GARY HSIEH 03/20/07			cage code		22526	
					JOSEPH HSIA 03/20/07						
sheet index	revision sheet	A	A	A	A						
		1	2	3	4						

1 | 2

Pro/E

3 |

cage code 22526

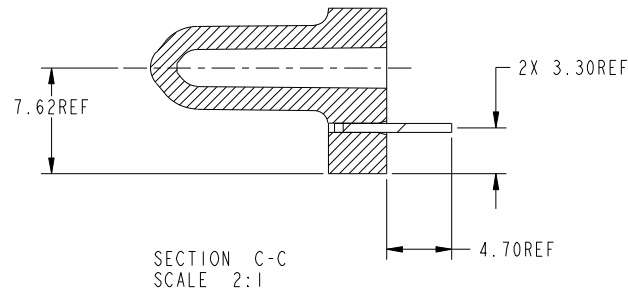
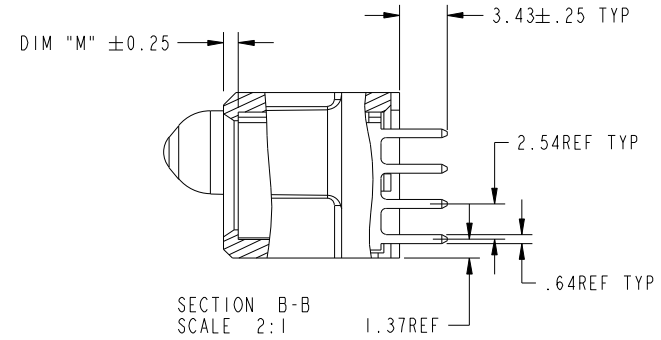
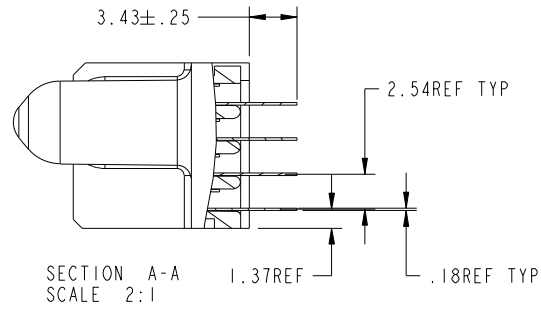
4

Tous droits strictement reserves. Reproduction ou communication a des tiers interdite sous quelque forme que ce soit sans autorisation écrite du propriétaire. Propriete de c FCI. Droits de reproduction FCI.



All rights strictly reserved. Reproduction or issue to third parties in any form whatever is not permitted without written authority from the proprietor. Property of FCI. Copyright FCI.

PRODUCT NUMBER
51940-221--
NOTE: 3



mat'l code				tolerances unless otherwise specified		CUSTOMER		 www.fciconnect.com	
ltr	ecn no.	dr	date	linear	0.X ± 0.3	COPY		title	
A					0.XX ± 0.13	projection		2ACP + 48S + 2ACP VERTICAL SOLDER RECEPT	
				angles	0.XXX ± 0.051			product family	
				dr	0° ± 2°			PwrBlade	
				enr	JM GUO 03/20/07	scale		code	
				chr	RYAN YUAN 03/20/07	1:1		213	
				appd	GARY HSIEH 03/20/07	size		sheet	
					JOSEPH HSIA 03/20/07	A		2 of 4	
sheet index		revision sheet							

cage code 22526

Pro/E

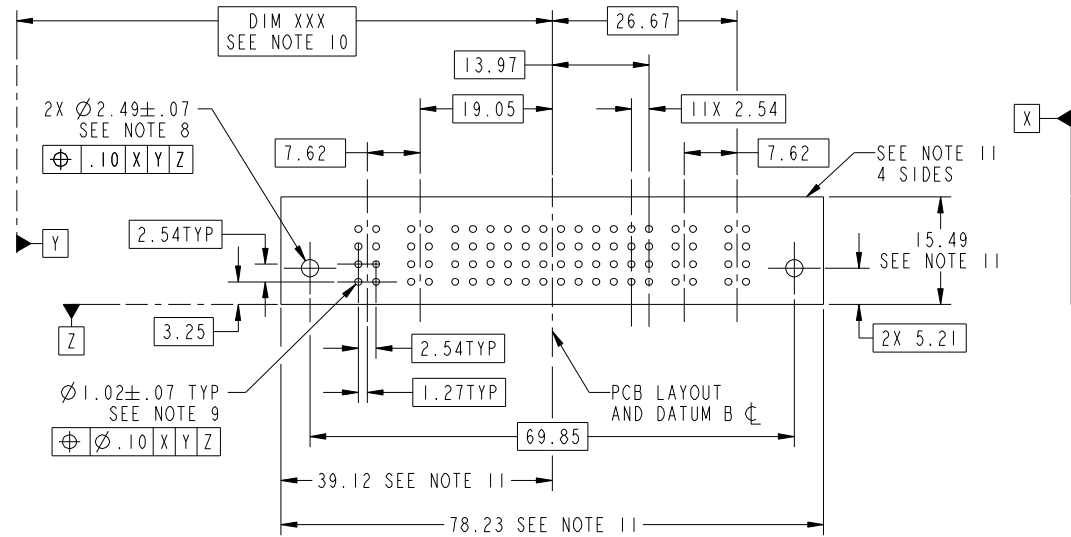
Tous droits strictement reserves. Reproduction ou communication a des tiers interdite sous quelque forme que ce soit sans autorisation écrite du propriétaire. Propriete de c FCI. Droits de reproduction FCI.



All rights strictly reserved. Reproduction or issue to third parties in any form whatever is not permitted without written authority from the proprietor. Property of FCI. Copyright FCI.

PRODUCT NUMBER
51940-221--
NOTE: 3

1 | 2 | 3 | 4



mat'l code				tolerances unless otherwise specified		CUSTOMER		FCI	
ltr	ecn no.	dr	date	linear	0.X ±0.3	COPY		www.fciconnect.com	
A					0.XX ±0.13	projection		title	
				angles	0.XXX ±0.051			2ACP + 48S + 2ACP VERTICAL SOLDER RECEPT	
				dr	0° ±2°	MIM		product family PwrBlade code	
				enr	JM GUO 03/20/07			size	
				chr	RYAN YUAN 03/20/07	scale		dwg no	
				appd	GARY HSIEH 03/20/07	1:1		51940-221	
					JOSEPH HSIA 03/20/07			sheet	
sheet index		revision sheet						3 of 4	

1 | 2 | Pro/E | 3 | cage code 22526 | 4

Tous droits strictement reserves. Reproduction ou communication a des tiers interdite sous quelque forme que ce soit sans autorisation écrite du propriétaire. Propriete de c FCI. Droits de reproduction FCI.

All rights strictly reserved. Reproduction or issue to third parties in any form whatever is not permitted without written authority from the proprietor. Property of FCI. Copyright FCI.



PRODUCT NUMBER
51940-221--
NOTE: 3

NOTES:

1. DIMENSIONS AND TOLERANCES ARE IN ACCORDANCE WITH ASME Y14.5M, 1994 UNLESS OTHERWISE SPECIFIED.

CONNECTOR NOTES:

- ② HOUSING MATERIAL: UL 94 V-0 GLASS FILLED
HIGH-TEMP THERMOPLASTIC
POWER CONTACT MATERIAL: COPPER ALLOY
SIGNAL PIN MATERIAL: COPPER ALLOY
- 3. PLATING SPEC.
51940-221,51940-221LF PLATING SPEC. WAS SHOWN IN THE PRINT OF 10064183.
- ④ MANUFACTURER'S NAME, P/N, AND DATE CODE TO APPEAR ON THIS SURFACE.
- 5. PRODUCT SPECIFICATION GS-12-149.
APPLICATION SPECIFICATION BUS-20-067.
- 6. PACKAGED IN TRAYS.
- PCB NOTES:
7. ALL HOLE DIAMETERS ARE FINISHED HOLE SIZE.
- ⑧ MOUNTING HOLES, WHERE APPLICABLE, ARE UNPLATED.
- ⑨ $\varnothing 1.151 \pm 0.025$ DRILLED HOLES PLATED WITH
0.008 MIN SnPb OR Sn OVER 0.03
TO 0.08 Cu PLATING TO ACHIEVE
 $\varnothing 1.02 \pm .07$ HOLE.
- ⑩ "DIM XXX" TO BE DETERMINED BY THE CUSTOMER.
- ⑪ CONNECTOR KEEP-OUT ZONE.

mat'l code				tolerances unless otherwise specified		CUSTOMER		FCI		www.fciconnect.com	
ltr	ecr no.	dr	date	linear	0.X ± 0.3		COPY		projection	title	
A					0.XX ± 0.13		MIM			2ACP + 48S + 2ACP	
					0.XXX ± 0.051		←			VERTICAL SOLDER RECEPT	
				angles	0° ± 2°		MIM		product family		code
				dr	JM GUO	03/20/07	←		PwrBlade		213
				enrg	RYAN YUAN	03/20/07	←		size		sheet
				chr	GARY HSIEH	03/20/07	←		dwg no		4 of 4
				appd	JOSEPH HSIA	03/20/07	←		A		51940-221
sheet index		revision sheet				scale		1:1			

cage code 22526

Pro/E