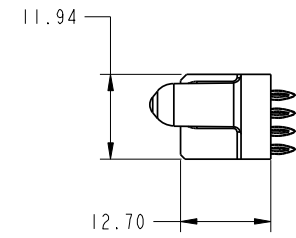
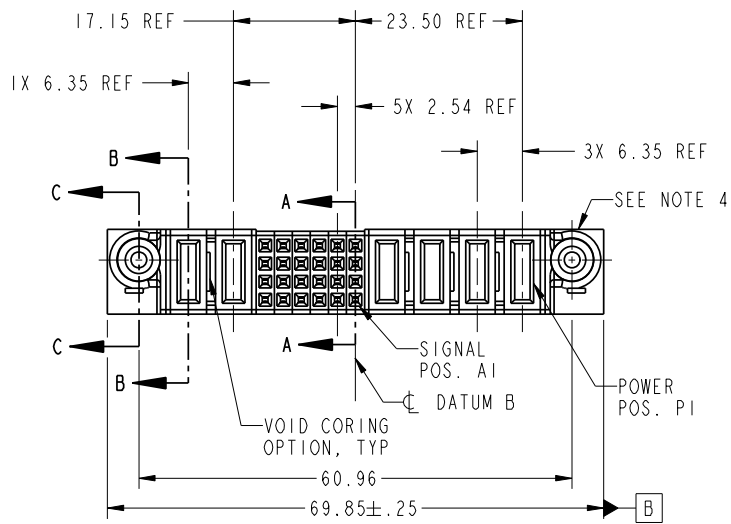


Tous droits strictement réservés. Reproduction ou communication a des tiers interdite sous quelque forme que ce soit sans autorisation écrite du propriétaire. Propriété de c FCI. Droits de reproduction FCI.



All rights strictly reserved. Reproduction or issue to third parties in any form whatever is not permitted without written authority from the proprietor. Property of FCI. Copyright FCI.

PRODUCT NO.	ROWS	POWER		SIGNAL				POWER				E1									
		E2	P6	P5	6	5	4	3	2	1	P4		P3	P2	P1						
51940-216-- NOTE: 3	D C A		PF	PC	F	F	F	F	F	F	F	F	F	F	F	F	F	F	F	F	



CODE	DIM "M" MATING LENGTH	CONTACT TYPE
PC	[1.07]	POWER
PF	[2.34]	POWER
F	[N/A]	SIGNAL

mat'l code				SEE NOTES		tolerances unless otherwise specified		CUSTOMER	
lir	ecn no.	dr	date	linear	0.X ± 0.3	projection		www.fciconnect.com	
A	DG07-0066	JULIA	01/24/07	angles	0.XX ± 0.13			title	
				dr	0.XXX ± 0.051	MM		4P + 24S + 2P	
				enr	0° ± 2°	scale		VERTICAL PRESS-FIT RECEPT	
				chr	JULIA WANG 01/24/07	1:1		product family	
				appd	JEROME CHEN 02/14/07			PwrBlade	
					BEER FU 01/24/07			code	
					JOSEPH HSIA 01/24/07			213	
sheet index	revision	A	A	A	A			sheet	
	sheet	1	2	3	4			1 of 4	

FCI
www.fciconnect.com

projection

MM

scale 1:1

product family PwrBlade code 213

size dwg no 51940-216 sheet 1 of 4

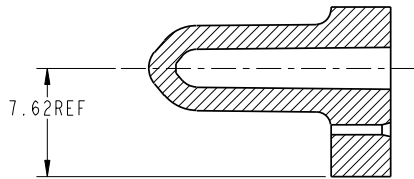
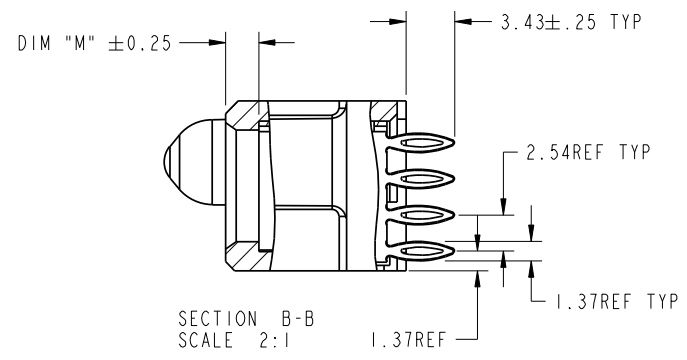
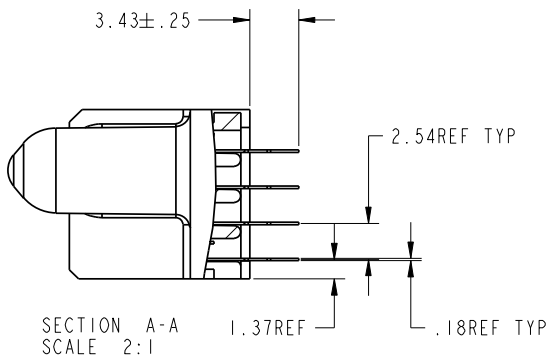
cage code 22526

Tous droits strictement reserves. Reproduction ou communication a des tiers interdite sous quelque forme que ce soit sans autorisation ecrite du proprietaire. Propriete de c FCI. Droits de reproduction FCI.



All rights strictly reserved. Reproduction or issue to third parties in any form whatever is not permitted without written authority from the proprietor. Property of FCI. Copyright FCI.

PRODUCT NUMBER
51940-216__
NOTE: 3



mat'l code				tolerances unless otherwise specified		CUSTOMER		FCI	
lfr	ecm no.	dr	date	linear	0.X ± 0.3	COPY		www.fciconnect.com	
A				linear	0.XX ± 0.13	projection		title	
				angles	0.XXX ± 0.051			4P + 24S + 2P VERTICAL PRESS-FIT RECEPT	
				dr	JULIA WANG 01/24/07			product family PwrBlade code	
				enrg	JEROME CHEN 02/14/07			size	
				chr	BEER FU 01/24/07			dwg no	
				appd	JOSEPH HSIA 01/24/07	scale 1:1		A 51940-216	
sheet index	revision sheet								213
									sheet 2 of 4

cage code 22526

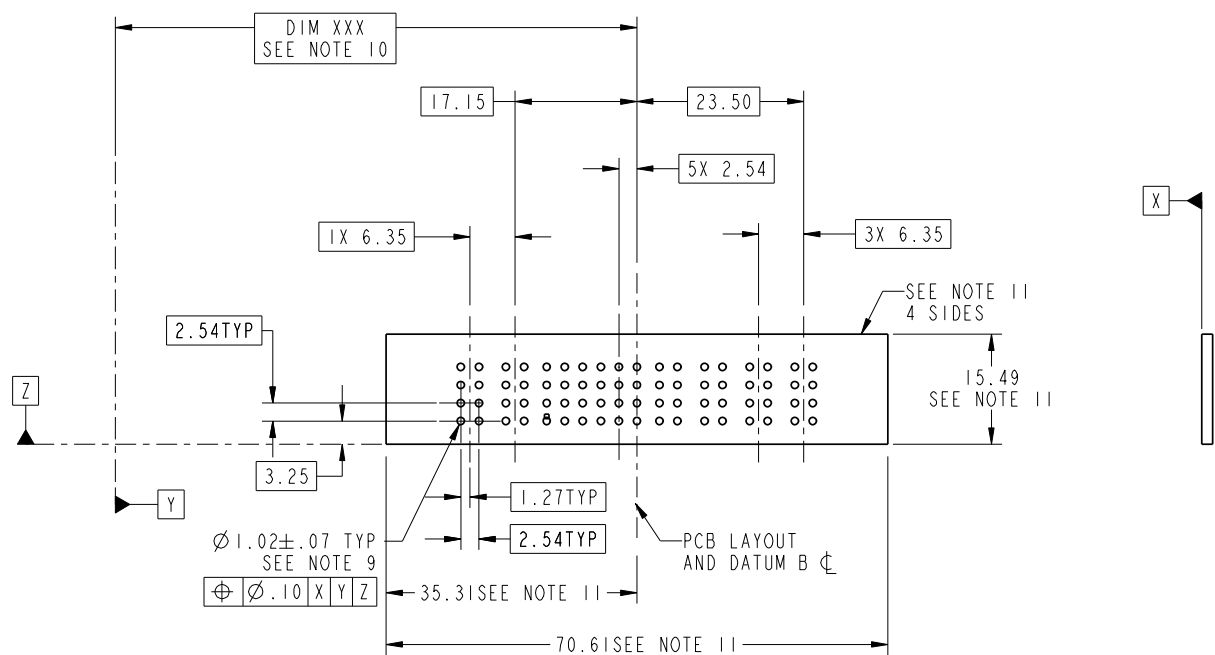
Pro/E

Tous droits strictement reserves. Reproduction ou communication a des tiers interdite sous quelque forme que ce soit sans autorisation écrite du propriétaire. Propriete de c FCI. Droits de reproduction FCI.



All rights strictly reserved. Reproduction or issue to third parties in any form whatever is not permitted without written authority from the proprietor. Property of FCI. Copyright FCI.

PRODUCT NUMBER
51940-216--
NOTE: 3



mat'l code				tolerances unless otherwise specified		CUSTOMER		FCI	
lir	ecn no.	dr	date	linear	0.X ± 0.3	COPY		www.fciconnect.com	
A					0.XX ± 0.13	projection		title 4P + 24S + 2P	
				angles	0.XXX ± 0.051	MM		VERTICAL PRESS-FIT RECEPT	
				dr	0° ± 2°	scale		product family PwrBlade code 213	
				enr	JULIA WANG 01/24/07	1:1		size A	
				chr	JEROME CHEN 02/14/07			dwg no 51940-216 sheet 3 of 4	
				appd	BEER FU 01/24/07				
					JOSEPH HSIA 01/24/07				
sheet index	revision sheet								

cage code 22526

Pro/E

Tous droits strictement reserves. Reproduction ou communication a des tiers interdite sous quelque forme que ce soit sans autorisation ecrite du proprietaire. Propriete de c FCI. Droits de reproduction FCI.



All rights strictly reserved. Reproduction or issue to third parties in any form whatever is not permitted without written authority from the proprietor. Property of FCI. Copyright FCI.

PRODUCT NUMBER
51940-216__
NOTE: 3

NOTES:

1. DIMENSIONS AND TOLERANCES ARE IN ACCORDANCE WITH ASME Y14.5M, 1994 UNLESS OTHERWISE SPECIFIED.

CONNECTOR NOTES:

- ② HOUSING MATERIAL: UL 94 V-0 GLASS FILLED
HIGH-TEMP THERMOPLASTIC
POWER CONTACT MATERIAL: COPPER ALLOY
SIGNAL PIN MATERIAL: COPPER ALLOY
- 3. PLATING SPEC.
51940-216,51940-216LF PLATING SPEC. WAS SHOWN IN THE PRINT OF 10064183.
- ④ MANUFACTURER'S NAME, P/N, AND DATE CODE TO APPEAR ON THIS SURFACE.
- 5. PRODUCT SPECIFICATION GS-12-149.
APPLICATION SPECIFICATION BUS-20-067.
- 6. PACKAGED IN TRAYS.

PCB NOTES:

- 7. ALL HOLE DIAMETERS ARE FINISHED HOLE SIZE.
- ⑧ MOUNTING HOLES, WHERE APPLICABLE, ARE UNPLATED.
- ⑨ $\varnothing 1.151 \pm 0.025$ DRILLED HOLES PLATED WITH 0.008 MIN SnPb OR Sn OVER 0.03 TO 0.08 Cu PLATING TO ACHIEVE $\varnothing 1.02 \pm .07$ HOLE.
- ⑩ "DIM XXX" TO BE DETERMINED BY THE CUSTOMER.
- ⑪ CONNECTOR KEEP-OUT ZONE.

mat'l code				tolerances unless otherwise specified		CUSTOMER		FCI	
lfr	ecr no.	dr	date	linear	$0.X \pm 0.3$	COPY		www.fciconnect.com	
A				linear	$0.XX \pm 0.13$	projection	title 4P + 24S + 2P VERTICAL PRESS-FIT RECEIPT		
				angles	$0^\circ \pm 2^\circ$		product family PwrBlade code 213		
				dr	JULIA WANG 01/24/07	MM	size	dwg no	sheet
				enrg	JEROME CHEN 02/14/07	scale	A	51940-216	4 of 4
				chr	BEER FU 01/24/07	1:1			
				appd	JOSEPH HSIA 01/24/07				
sheet index	revision sheet								

cage code 22526

Pro/E