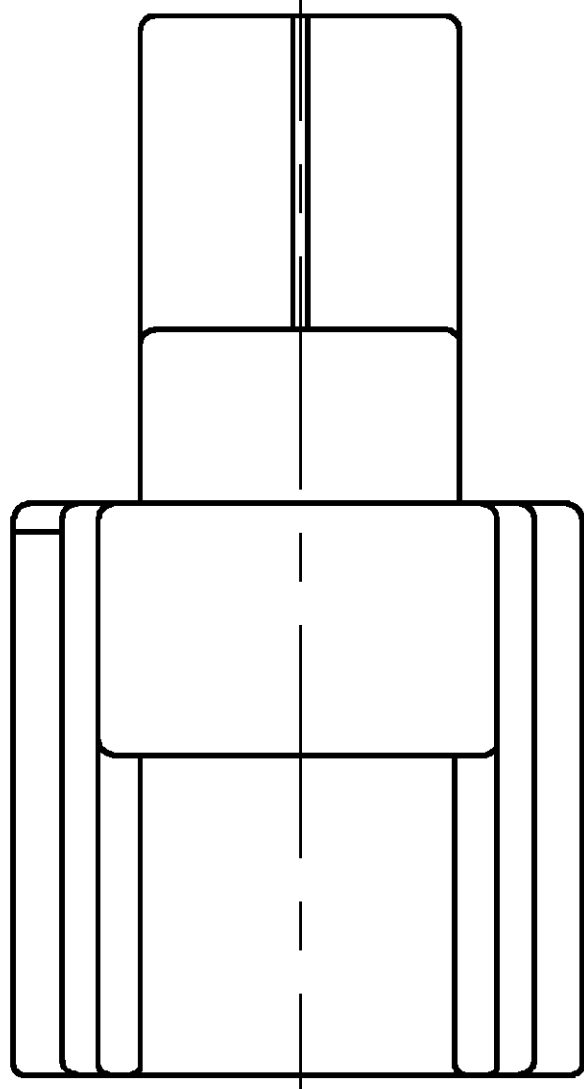
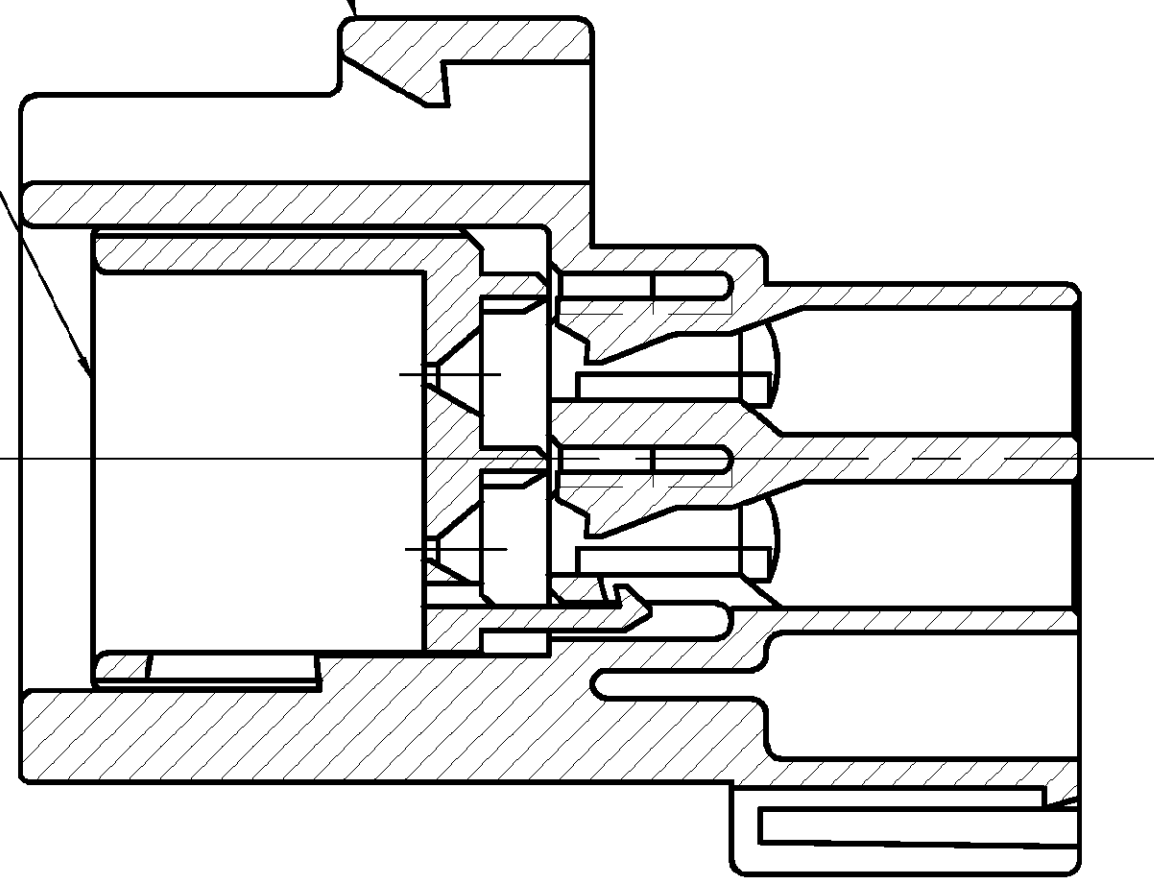


THIS DRAWING IS UNPUBLISHED. RELEASED FOR PUBLICATION
 © COPYRIGHT BY TYCO ELECTRONICS CORPORATION. ALL RIGHTS RESERVED.

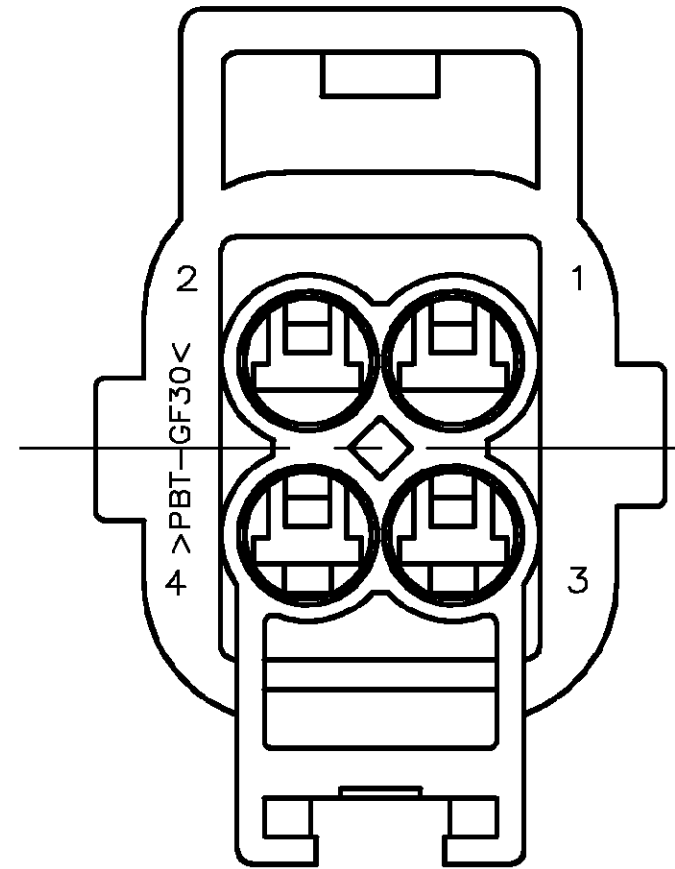
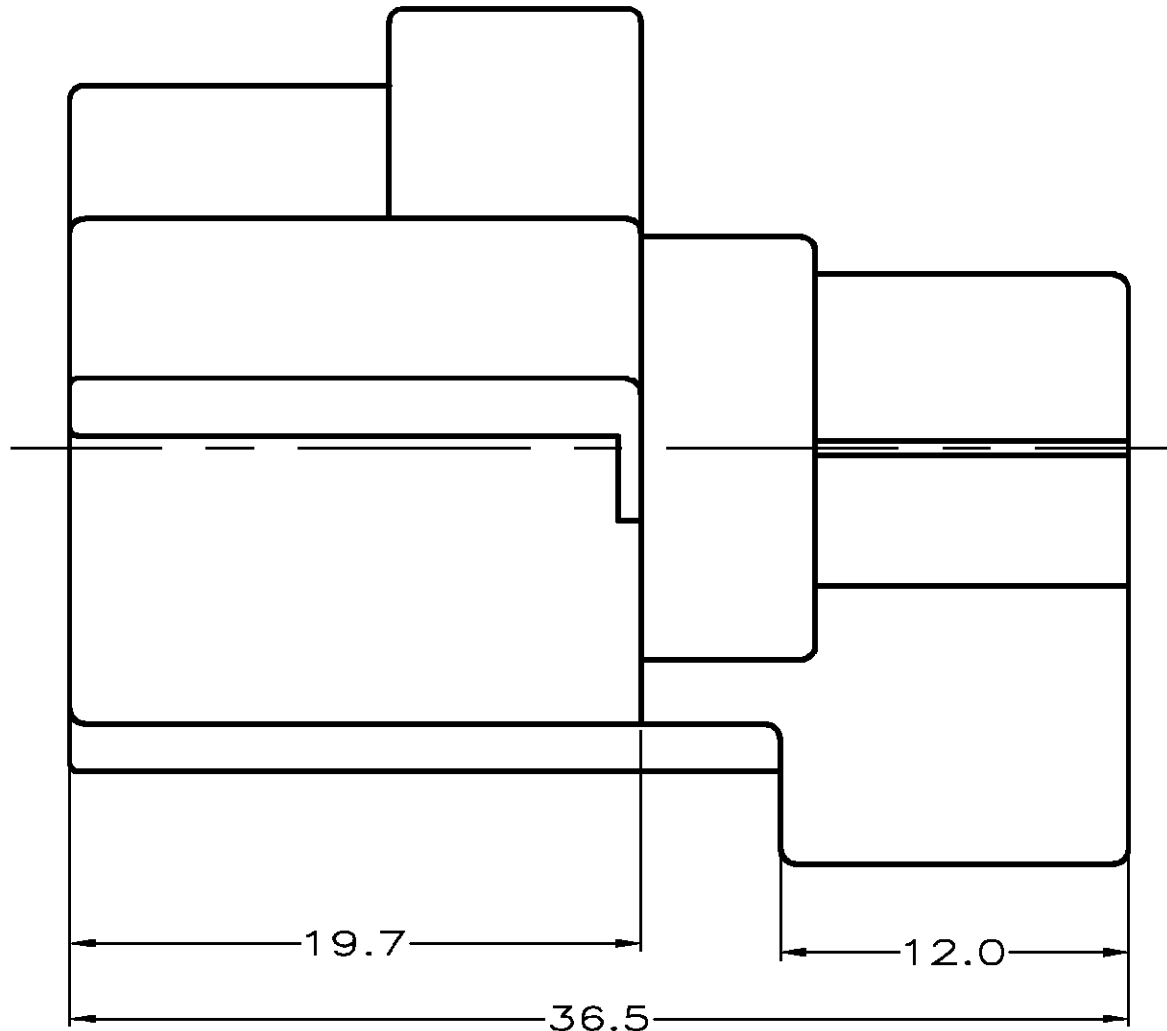
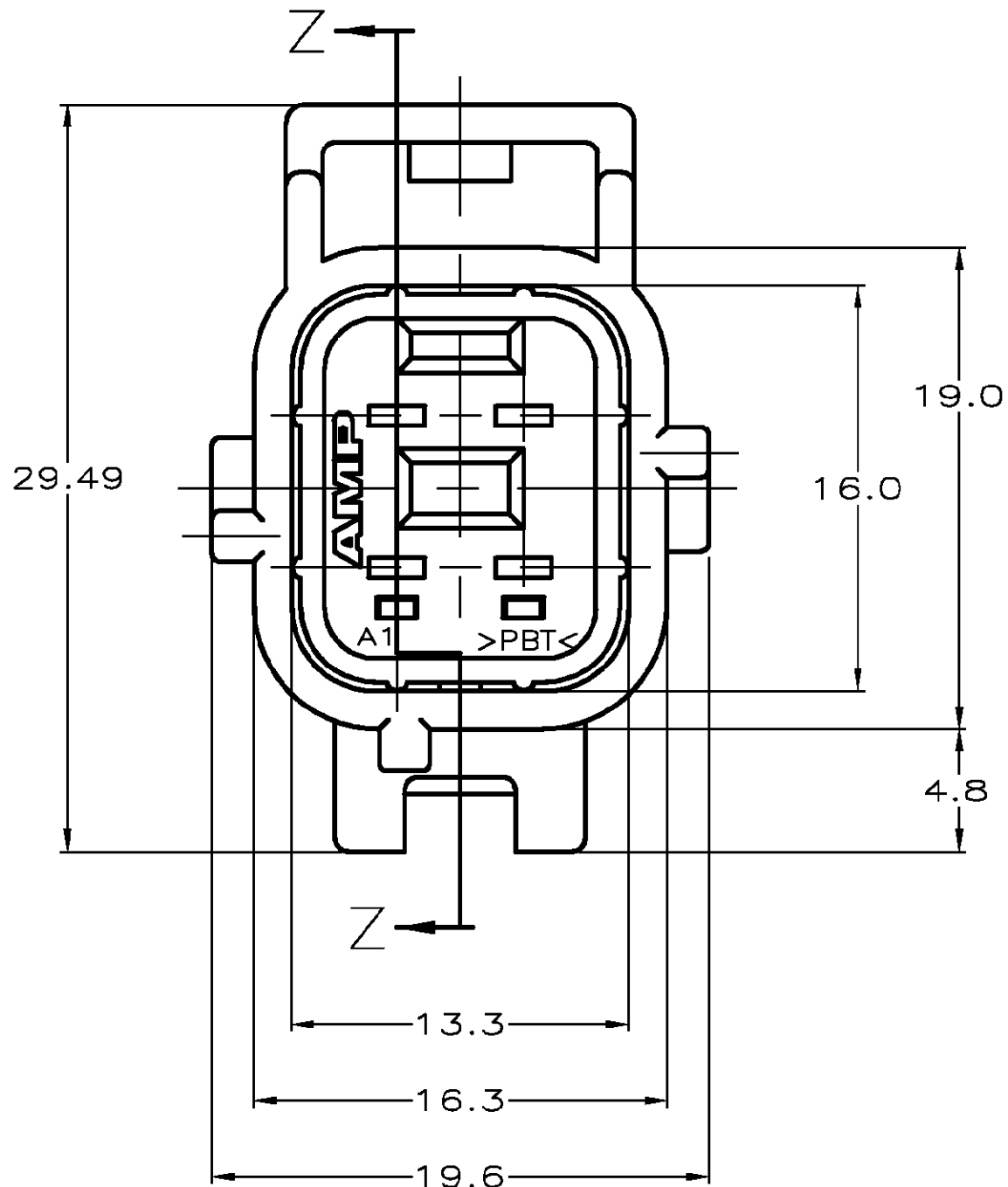
LOC	DIST	REVISIONS			
P	LTR	DESCRIPTION	DATE	DWN	APVD
GE	00	A	EC OK40-0651-02	25JUL02	JRB/KLC



DBL LOCK PLATE, CAP
 MATL: PBT, 15% GLASS FILLED
 CAP HOUSING
 MATL: PBT, 30% GLASS FILLED



SECTION Z-Z



GRAY	184408-2
NATURAL	184408-1
CAP COLOR	PART NUMBER

THIS DRAWING IS A CONTROLLED DOCUMENT.		DWN AJ GRAFF 03AUG01	Tyco Electronics Corporation Harrisburg, PA 17105-3608	
DIMENSIONS: MM		CHK K COBLE 03AUG01	NAME 2 x 2 CAP ASY, KEY G-C3	
TOLERANCES UNLESS OTHERWISE SPECIFIED:		APVD K COBLE 03AUG01	SIZE A2	
0 PLC ± -	1 PLC ± 0.3	PRODUCT SPEC	CAGE CODE 00779	DRAWING NO 184408
2 PLC ± 0.15	3 PLC ± -	APPLICATION SPEC	RESTRICTED TO	
4 PLC ± -	ANGLES ± -	WEIGHT	SCALE 4:1	SHEET 1 OF 1
MATERIAL	FINISH	CUSTOMER DRAWING	REV A	

1844084408