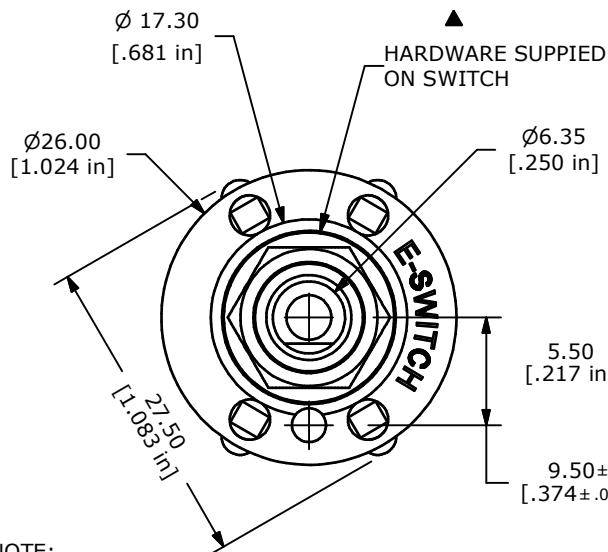
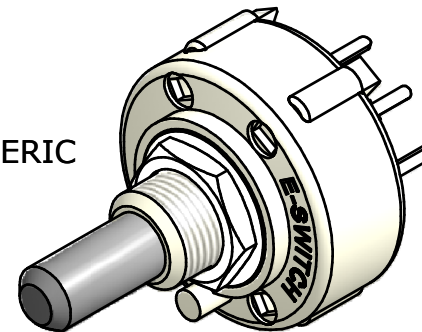
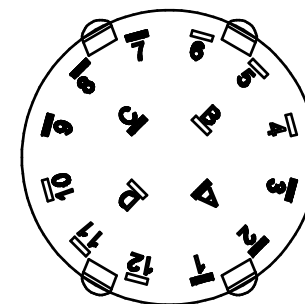
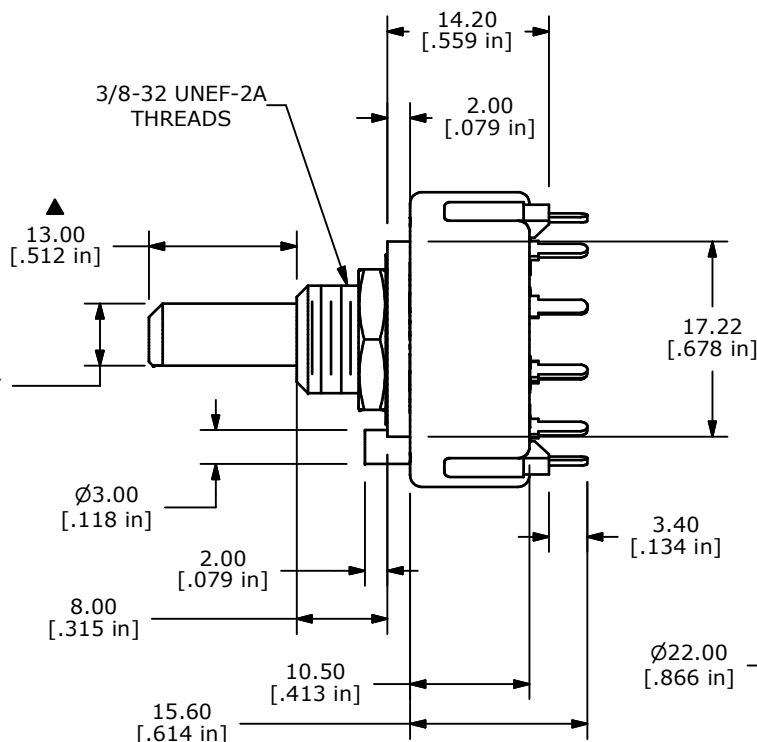


CONTACT CONFIGURATION
TIMING (BBM) NON-SHORTING

ISOMETERIC

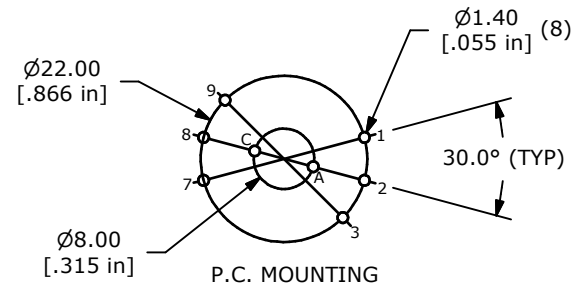


HARDWARE SUPPLIED ON SWITCH



NOTE:

1. ALL DIMENSIONS IN MM[INCH].
2. GENERAL TOLERANCE: X.X=±0.4
X.XX=±0.25
3. TERM. NOS. FOR REFERENCE ONLY.
- ▲ 4. CONTACT MATERIAL: SILVER
5. CONTACT RATING: 150MILLIAMP, 250VAC/DC
350MILLIAMP, 110VAC/DC
6. CONTACT RATING (NON-SWITCHING): 5A
7. OPERATING FORCE: 800 ± 300 gm/cm
8. OPERATING TEMP: -30°C TO 85°C
- ▲ 9. CIRCUIT DP: 3 POSITION 30° INDEX.
10. WITHSTAND VOLTAGE: 500VAC FOR 1 MINUTE.
- ▲ 11. HARDWARE SUPPLIED ON SWITCH:
LOCKWASHER, HEXNUT, STOP RING
12. ▲ DENOTES CRITICAL PARAMETER.
13. 2002/95/EC (ROHS) COMPLIANT



| | | | | |
|-----|--------|-------------------------|--------|-----|
| A | 18424 | RELEASED FOR PRODUCTION | 3/9/09 | BLR |
| REV | PCR NO | DESCRIPTION | DATE | BY |

| | | | | |
|----------------------|----------|-----|---------|-----|
| TITLE KC23A13.001NPS | | | | |
| SCALE | DATE | DR | DWG | REV |
| 1.5:1 | 3/9/2009 | BLR | G530254 | A |

THE INFORMATION CONTAINED IN THIS DOCUMENT IS PROPRIETARY TO E-SWITCH AND IS NOT TO BE COPIED OR TRANSFERRED