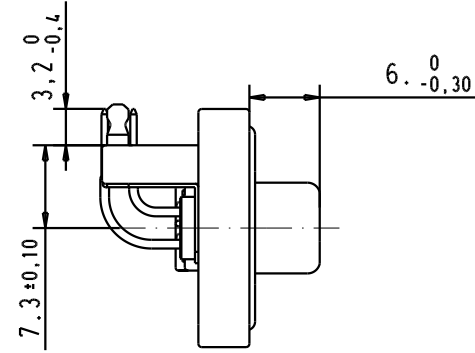
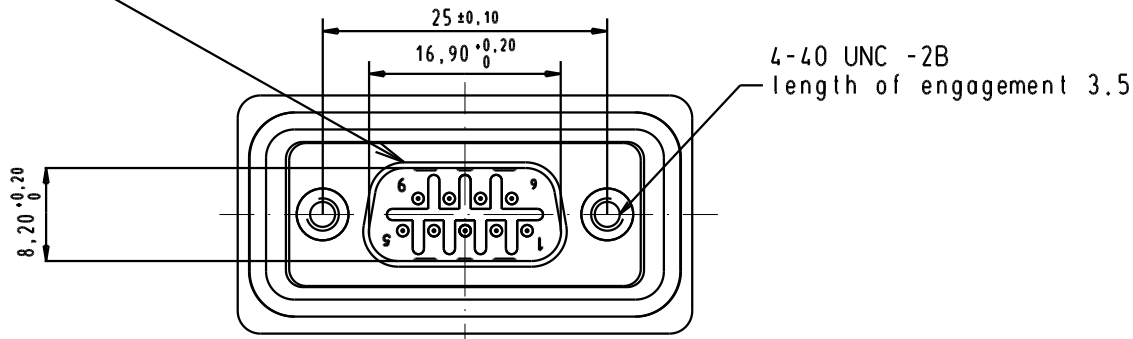


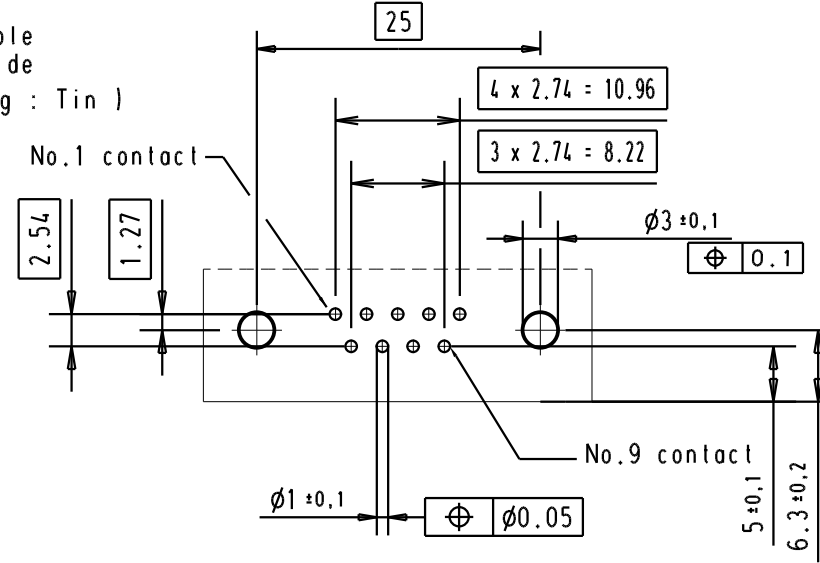
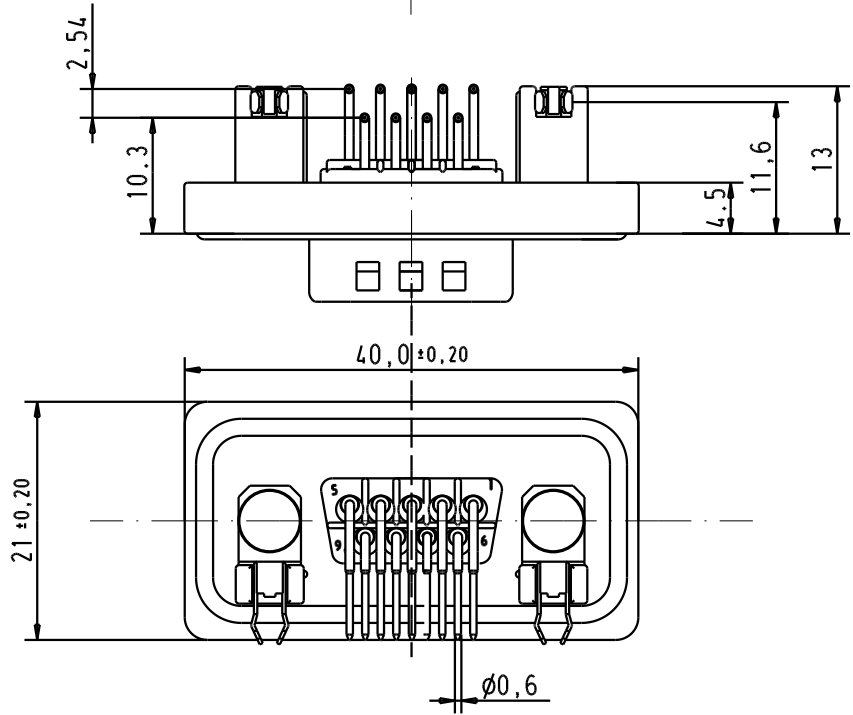
5 4 3 2 1

Mating face according to : MIL-C-24308 / DIN 41652 / CECC 75.01-802



1) Protection standard IP 67 according to IEC 529 / DIN 40050.

PCB layout hole component side  
( PCB holes plating : Tin )



D  
C  
B  
A

09 67 509 7658	Au plating 0,76 µm mini
Part Number	Performance Level

				Dat.	Name	<p>All Dim. in mm Orig. Size DIN A 4</p>	
				Detail.	20/01/04		S.H.
				Insp.			
				Stand.			
31587	20/01/04	S.H	HARTING ELEKTRONIK			TB 09 67 509 7658 Sub.	
Mod.	Dat.	Name	F-95972 Paris				

D-SUB IP67 male 09 Poles angled solder pin with bracket and clip for 1.6mm PCB 4-40 UNC nut		Maßstab/ Scale
TB 09 67 509 7658		Blatt / Page