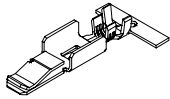
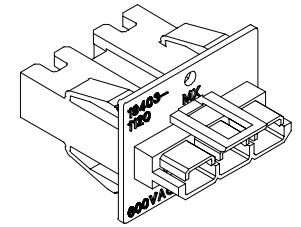
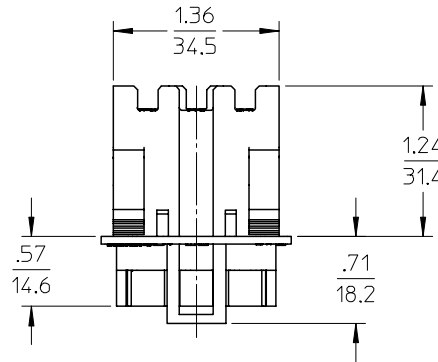
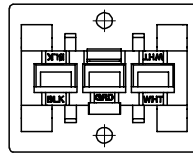
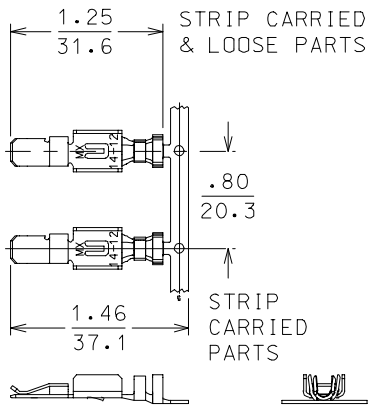


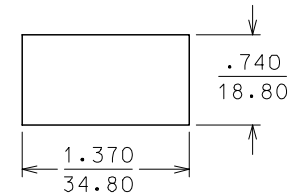
MATERIAL NUMBER	DESCRIPTION
194031120	SC HEADER
194031130	TERMINAL, STRIP CARRIED
194031131	TERMINAL, LOOSE PIECE



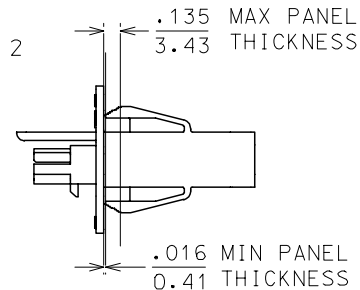
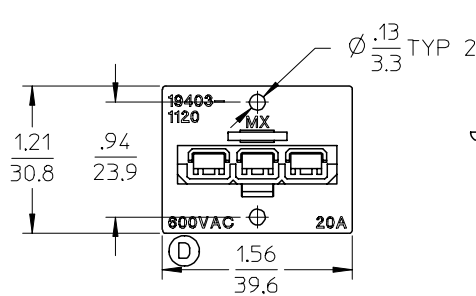
ISOMETRIC VIEW
TERMINAL, STRIP CARRIED



ISOMETRIC VIEW
SC HEADER



RECOMMENDED PANEL CUTOUT



SALES DRAWING

- NOTES:
- 1) TERMINAL MATERIAL: HIGH COPPER ALLOY
PLATING: TIN
 - 2) HOUSING MATERIAL: POLYESTER UL94-5VA

600VAC WAS 300VAC EC NO: ETC2005-0125 DRAWN: DMYRICK 2005/01/25 CHKD: RDEROSS 2005/01/26 APPR: RDEROSS 2005/01/26	DESCRIPTION	QUALITY SYMBOLS	GENERAL TOLERANCES (UNLESS SPECIFIED)		DIMENSION STYLE	SCALE	DESIGN UNITS	THIRD ANGLE PROJECTION
		▽=0	mm	INCH	IN/MM	1:1	INCH	
		▽=0	4 PLACES ± --- ± ---	3 PLACES ± --- ± .005	DRAWN BY DATE	TITLE		
		2 PLACES ± 0.13 ± .01	1 PLACE ± 0.3 ± ---	DYOUNG 00/01/18	CUSTOMER DRAWING			
REV	DESCRIPTION	ANGULAR ± 1/2°	DRAFT WHERE APPLICABLE MUST REMAIN WITHIN DIMENSIONS		CHECKED BY DATE	MOLEX INCORPORATED		SHEET NO. 1 OF 1
D					RDEROSS 00/01/18	SD-19403-117		
					MATERIAL NO.	DOCUMENT NO.		
					SEE CHART			
					THIS DRAWING CONTAINS INFORMATION THAT IS PROPRIETARY TO MOLEX INCORPORATED AND SHOULD NOT BE USED WITHOUT WRITTEN PERMISSION			