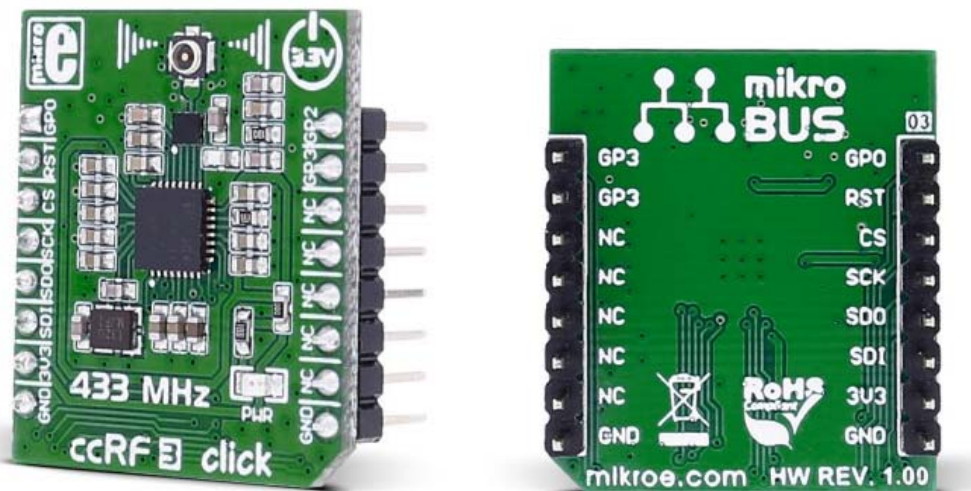


ccRF 3 click

PID: MIKROE-2389 Weight: 25 g



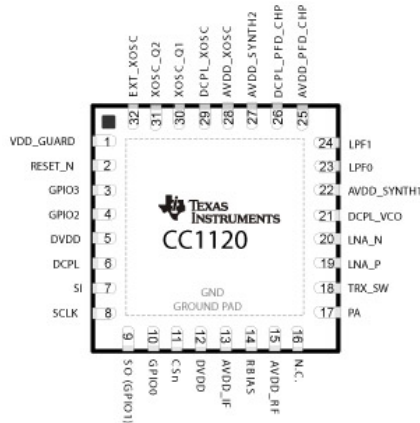
Description

ccRF 3 click carries the CC1120 high-performance RF transceiver for narrowband systems from Texas Instruments. The clicks will enable you to add a low-power consumption radio transceiver at **433 MHz frequency**. ccRF 3 click is designed to run on a 3.3V power supply. It communicates with the target microcontroller over SPI interface, with additional functionality provided by the following pins on the mikroBUS™ line: AN, RST, CS, PWM, INT.

Note: the click requires an external N.F.L. antenna

CC1120 RF transceiver features

The CC1120 device is a fully integrated single-chip radio transceiver designed for high performance at very low-power and low-voltage operation.



The device is mainly intended for Industrial, Scientific, and Medical (ISM) applications and Short Range Device (SRD).

The CC1120 device provides extensive hardware support for packet handling, data buffering, burst transmissions, clear channel assessment, link quality indication, and wake-on-radio. The main operating parameters of the CC1120 device can be controlled through an SPI interface.

Wake-On-Radio

Wake-On-Radio or eWOR enables CC1120 to periodically wake up from SLEEP and listen for incoming packets without MCU interaction.

When the CC1120 device enters RX mode, it listens and then returns to sleep if a valid RF packet is not received. The sleep interval and duty cycle can be configured to make a trade-off between network latency and power consumption. Incoming messages are time-stamped to simplify timer resynchronization. The eWOR timer runs off an ultra-low-power 32-kHz RC oscillator.

Power consumption

In IDLE mode the CC1120 uses 1.3mA, while in power down with retention mode the consumption goes to 0.12µA.

SmartRF™ Studio software

CC1120 can be configured using the **SmartRF™ Studio** software. SmartRF™ Studio is highly recommended for obtaining optimum register settings, and for evaluating performance and functionality.

After chip reset, all registers have default values and these might differ from the optimum register setting. It is therefore necessary to configure/reconfigure the radio through the SPI interface after the chip has been reset. SmartRF Studio provides a code export function making it easy to implement this in firmware.

Key features

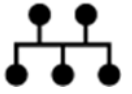
- CC1120 RF transceiver
 - 433 MHz frequency
 - Low-power and low-voltage operation
 - 1.3mA in IDLE mode
 - Wake-On-Radio
- SPI interface
- 3.3V power supply

Specification

Product Type	RF Sub 1GHz
Applications	Narrowband ultra-low-power wireless systems with channel spacing down to 12.5 kHz, wireless metering and wireless smart grid, home and building automation, wireless alarm and security systems, etc.
MCU	CC1120 high-performance RF transceiver for narrowband systems
Key Features	Power consumption of 1.3mA in IDLE mode, 433 MHz frequency band
Interface	SPI
Power Supply	3.3V
Compatibility	mikroBUS
Click board size	S (28.6 x 25.4 mm)

Pinout diagram

This table shows how the pinout on **ccRF 3 click** corresponds to the pinout on the mikroBUS™ socket (the latter shown in the two middle columns).

Notes	Pin	 mikroBUS™				Pin	Notes
GPIO0	GP0	1	AN	PWM	16	GP2	GPIO2
Reset	RST	2	RST	INT	15	GP3	GPIO3
SPI Chip Select	CS	3	CS	TX	14	NC	Not connected
SPI Clock Pin	SCK	4	SCK	RX	13	NC	Not connected

SPI master in slave out pin for the MCU	MISO	5	MISO	SCL	12	NC	Not connected
SPI master out slave in pin for the MCU	MOSI	6	MOSI	SDA	11	NC	Not connected
Power supply	+3.3V	7	3.3V	5V	10	NC	Not connected
Ground	GND	8	GND	GND	9	GND	Ground

Programming

Code examples for ccRF 3 click, written for MikroElektronika hardware and compilers are available on Libstock.

Code snippet

This code snippet initializes the system, the display, and waits for button toggling in an endless loop, for executing actions like initializing the ccRF module, sending and receiving packets via RF.

Example for STM32 architecture

```

01 void main( void )
02 {
03     system_init();
04     display_init();
05     TFT_Set_Font( &HandelGothic_BT21x22_Regular, CL_GREEN, FO_HORIZONTAL );
06     TFT_Write_Text("Please initialize the module.", 15, 80);
07
08     while (1)
09     {
10         check_buttons();
11         is_initialized();
12         is_sending_mode();
13         is_receiving_mode();
14         if ( reading_f )
15         {
16             ccRF_RunRX();
17         }
18     }
19 }

```