

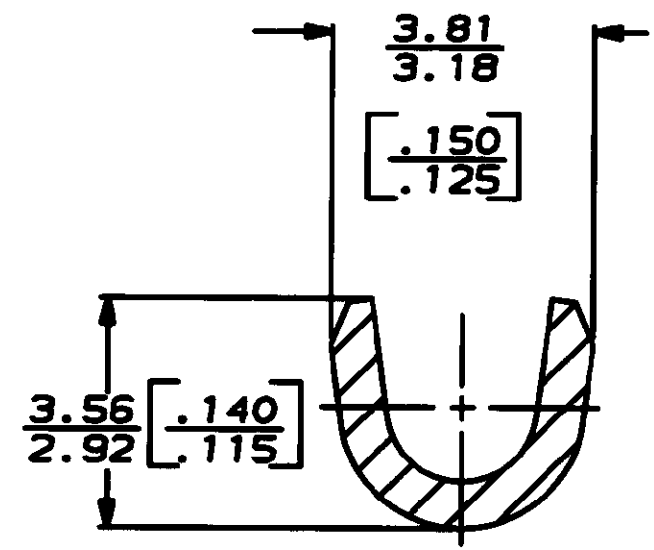
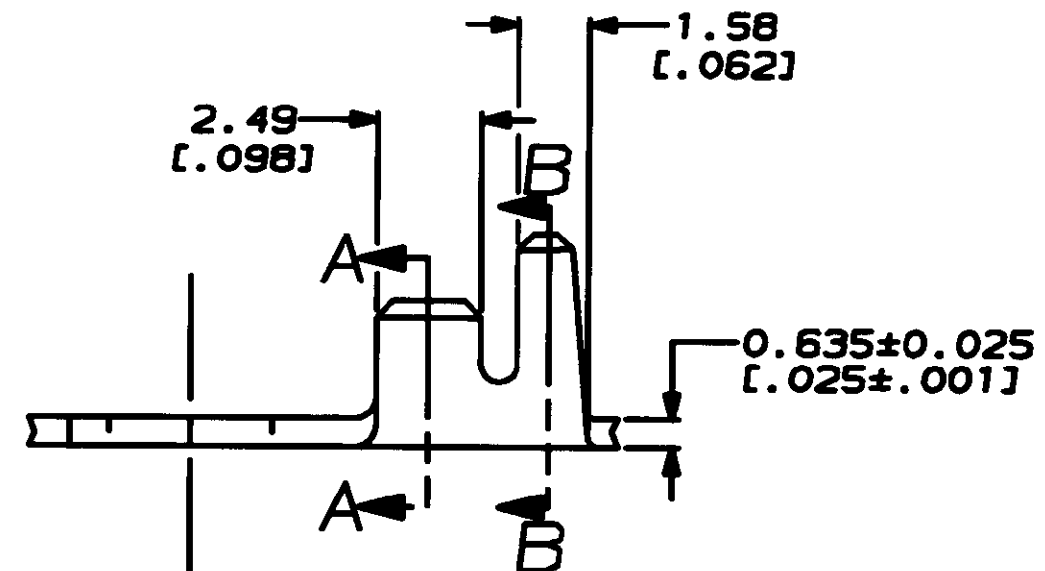
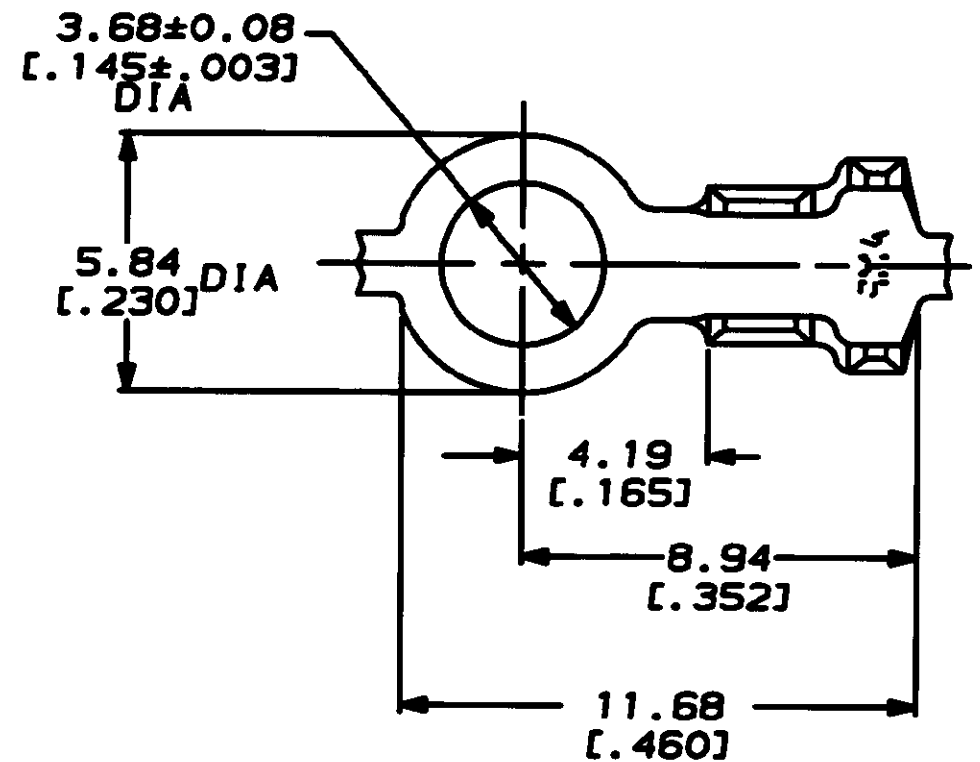
DRAWING MADE IN THIRD ANGLE PROJECTION

THIS DRAWING IS UNPUBLISHED. RELEASED FOR PUBLICATION ,19 .

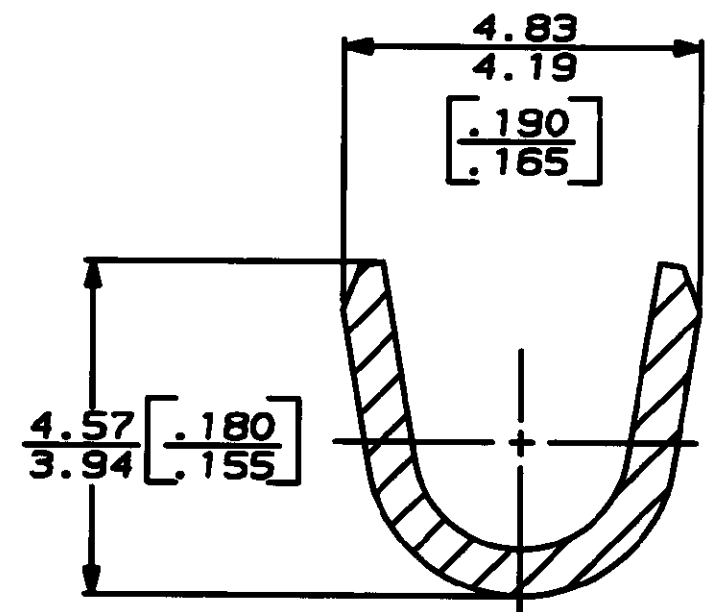
© COPYRIGHT 19 BY AMP INCORPORATED. ALL INTERNATIONAL RIGHTS RESERVED.

LOC	DIST	P	F	ZONE	LTR	DESCRIPTION	DATE	APPD
AF	50				B	REDRAWN PER 0054-94	2/10/94	PF/JR

1 CONTINUOUS STRIP ON REELS



SECTION A-A
SCALE 10:1



SECTION B-B
SCALE 10:1

2.29-3.05 [.090-.120] DIA		20-16 AWG	61764-1
INSULATION RANGE		WIRE SIZE	PART NO
<small>DO NOT SCALE PRINT. UNLESS SPECIFIED DIMENSIONS IN IN (INCHES) TOLERANCES ON: 2 PLC DEC = 0.25 L.O.M. 3 PLC DEC = - ANGLES = -</small>		AMP AMP INCORPORATED Harrisburg, Pa. 17108	
DR 2/16/94 FULL P & FERRY CHK 2/16/94 SET UP APPD 2/16/94 SHY WTR APPD 2/16/94 SHY WTR PRODUCT SPEC		NAME <h1>RING</h1>	
MATERIAL 082 BRASS		SIZE B	CASE CODE 00779
FINISH ---		SCALE 6:1	DRAWING NO 61764
WEIGHT -		SHEET 1 OF 1	