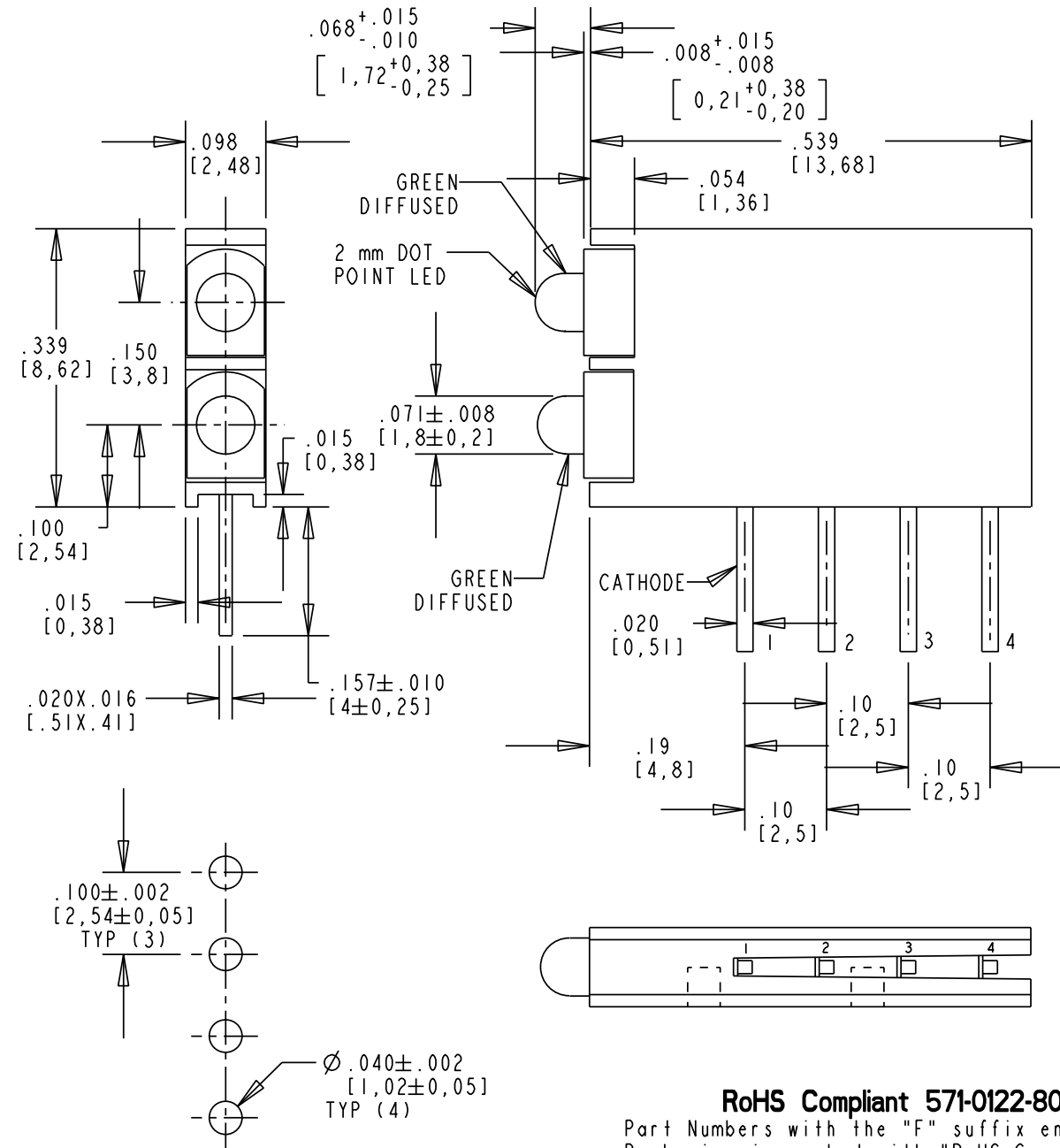
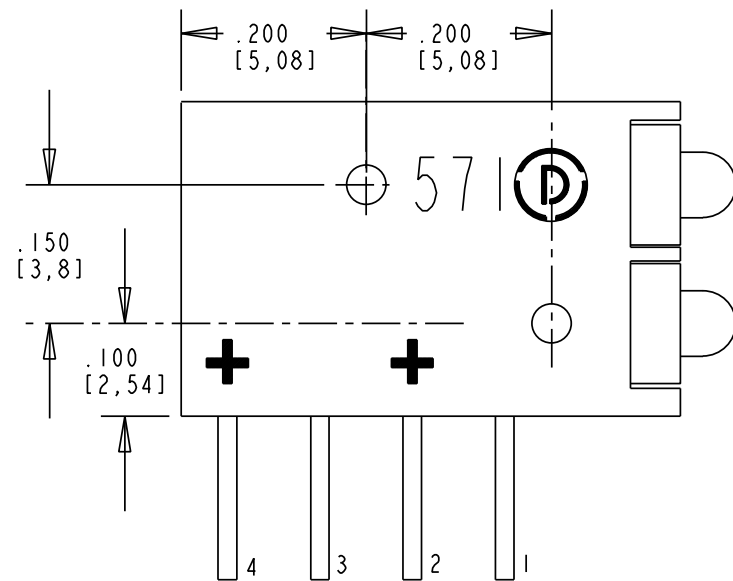
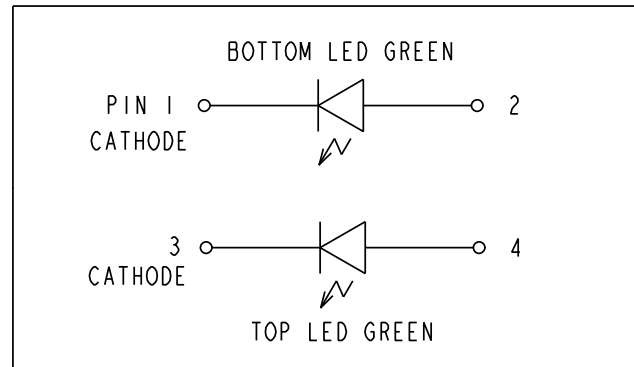
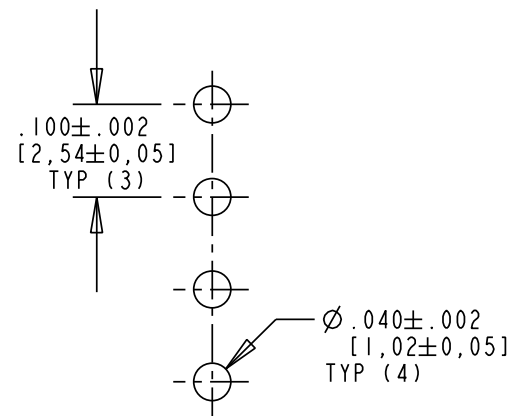


REV	ECN NO	REVISIONS	DRN	CKD	APP	DATE
A		NEW RELEASE	SM			



OPERATING CHARACTERISTICS AT 25°C AMBIENT						
CHARACTERISTICS	COLOR	MIN	TYP	MAX	UNITS	TEST CONDITIONS
LUMINOUS INTENSITY	GREEN	5	10		mcd	$I_F = 10 \text{ mA}$
FORWARD VOLTAGE	GREEN		2.2	2.5	V	$I_F = 20 \text{ mA}$
DOMINANT WAVELENGTH	GREEN		568		nm	
PEAK EMISSION WAVELENGTH	GREEN		565		nm	
VIEWING ANGLE 2θ1/2	GREEN		70		Degree	
CAPACITANCE	GREEN		20		pF	$V_F = 0 \text{ V}, f = 1 \text{ MHz}$

RECOMMENDED PC BOARD HOLE PATTERN



RoHS Compliant 571-0122-809F 2mm G/G CBI
 Part Numbers with the "F" suffix ending are RoHS Compliant. Packaging is marked with "RoHS Compliant" label or equivalent markings. Parts can be wave soldered, dip soldered or hand soldered using typical lead-free soldering process with max 260°C temp. for 5 sec.



**ATTENTION:
OBSERVE PRECAUTIONS FOR
HANDLING ELECTROSTATIC
SENSITIVE DEVICES**

NOTES:

- LED LEAD DIMENSIONS ARE MEASURED AT HOUSING EXIT.
- PIN NUMBERS FOR REFERENCE ONLY, DESIGNATION NON-EXISTENT ON PARTS
- DIALIGHT PART NUMBER: 571-0122-809F.
- THIS ASSEMBLY CONTAINS ELECTROSTATIC DISCHARGE SENSITIVE DEVICES (ESDS). MAINTAIN ALL PRECAUTIONARY MEASURES DURING ASSEMBLY, HANDLING AND STORAGE IN ACCORDANCE WITH IPC-A-610.

ABSOLUTE MAXIMUM RATING AT 25°C AMBIENT	GREEN	UNITS
POWER DISSIPATION	105	mW
FORWARD CURRENT	25	mA
DERATING LINEAR FROM 25 °C	.33	mA/°C
REVERSE VOLTAGE	5	V
LEAD SOLDERING TEMPERATURE, 5 SEC., 1/16" FROM BODY	260	°C
OPERATING TEMPERATURE	-40 TO +85	°C
STORAGE TEMPERATURE	-40 TO +85	°C

THIS DRAWING AND THE CONTENTS HEREIN ARE CONFIDENTIAL AND THE SOLE PROPERTY OF DIALIGHT. REPRODUCTION OF THIS DRAWING OR CONSTRUCTION OF ANY PARTS WITHIN THIS DRAWING ARE FORBIDDEN WITHOUT THE WRITTEN CONSENT OF DIALIGHT.		
SCALE: DRAWING SCALE ALL DIM'S IN: INCHES (MM)	DRAWING NUMBER C-17493	REV A
TOLERANCES: UNLESS OTHERWISE SPECIFIED FRACTIONS: ±1/64 DECIMALS (.XX): ±.01 DECIMALS (.XXX): ±.005 DECIMALS (.XXXX): ±.0005 ANGLES: ±1°	TITLE 2MM LED BI-LEVEL CBI G,G RoHS COMPLIANT	
FINISH:	MATERIAL	
FSCM 83330	1501 ROUTE 34 SOUTH FARMINGDALE, NJ 07727	
	SHEET 1 OF 1	FAMILY TABLE: