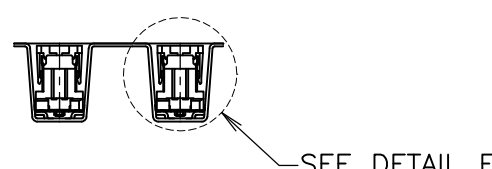
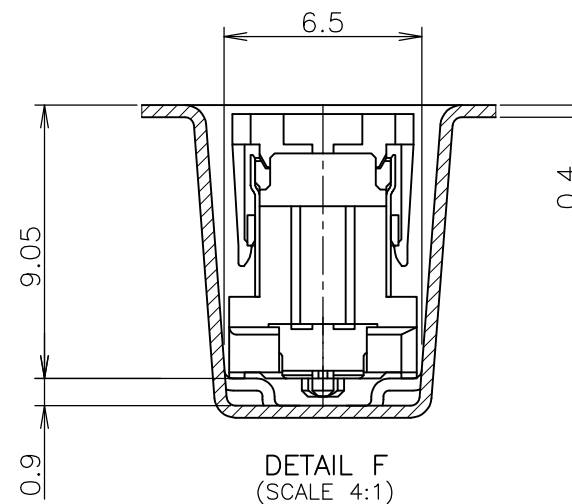
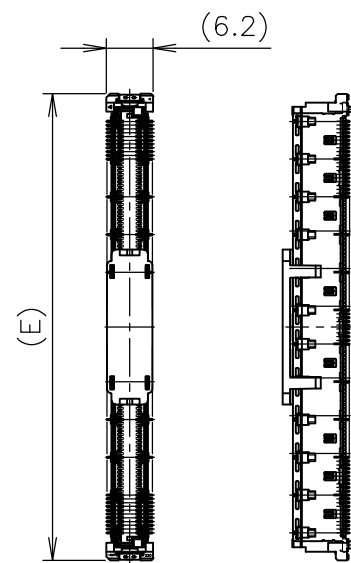
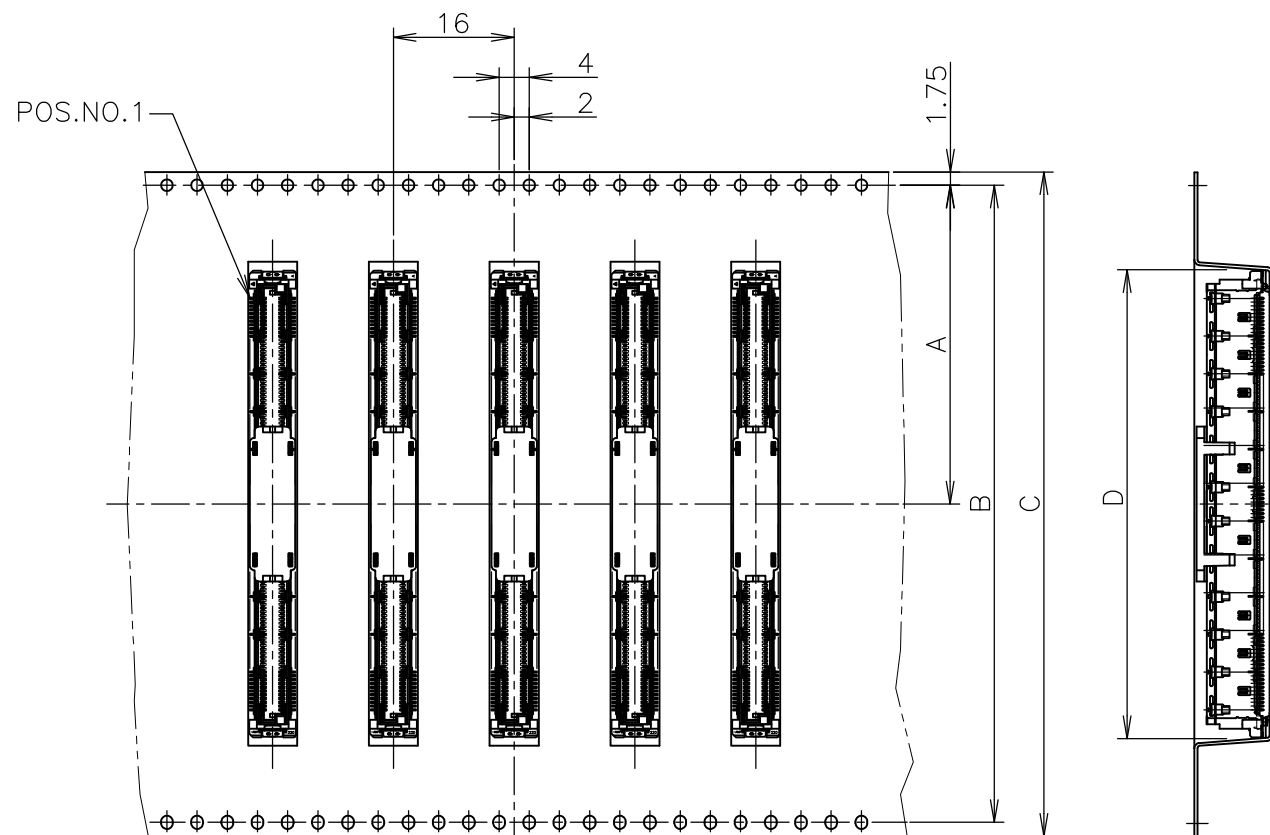
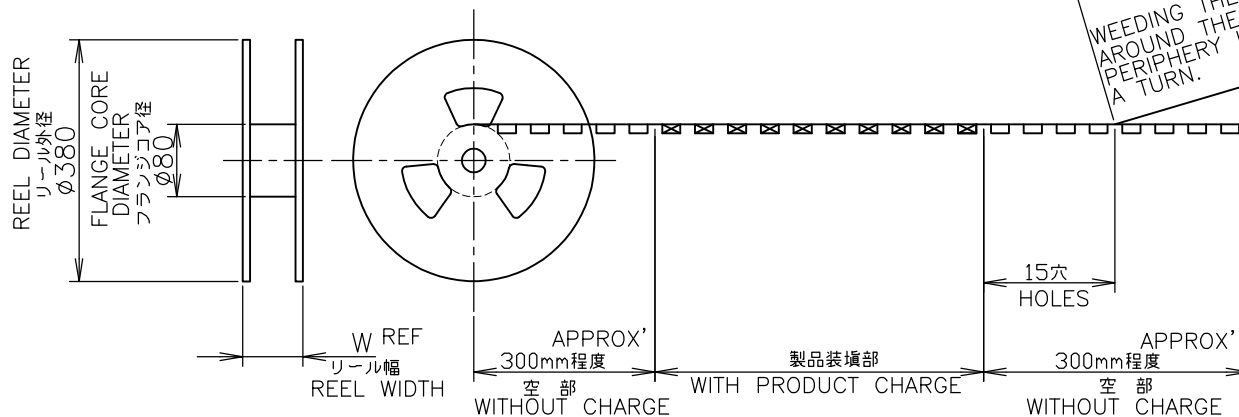


LOC		DIST		REVISIONS			
J		/		変更			
P	LTR	DESCRIPTION		DATE	DWN	APVD	
	A	RELEASED		12MAR08	Y.N	T.F	

リール引出し方向
DIRECTION OFF TOP OF REEL



カバーテープ
リール部
外周一巻
WEEDING THE COVER TAPE
AROUND THE OUTER
PERIPHERY IN
A TURN.



YES Δ	400	59.5	57.7	57.1	54.5	95	61.8	62.1	88	84.4	42.25	220	BLACK	8-2040713-6
NO	400	59.5	57.7	57.1	54.5	95	61.8	62.1	88	84.4	42.25	220	BLACK	3-2040713-6
SEALANT	QTY	T	S	P	N	W	E	D	C	B	A	POS.	HSG COLOR	PART NO.

THIS DRAWING IS A CONTROLLED DOCUMENT.

DWN Y.NAKAZAWA 12MAR2008
CHK T.FUTATSUGI 12MAR2008
APVD T.FUTATSUGI 12MAR2008

NAME 名称
Tyco Electronics Corporation
Kawasaki, Japan

PRODUCT SPEC 製品規格
108-5560

APPLICATION SPEC 取付適用規格

EMBOSS ASSY
FH 0.5BTB CONNECTOR 220 POS
PLUG 8H WITH GROUND PLATE AND CAP

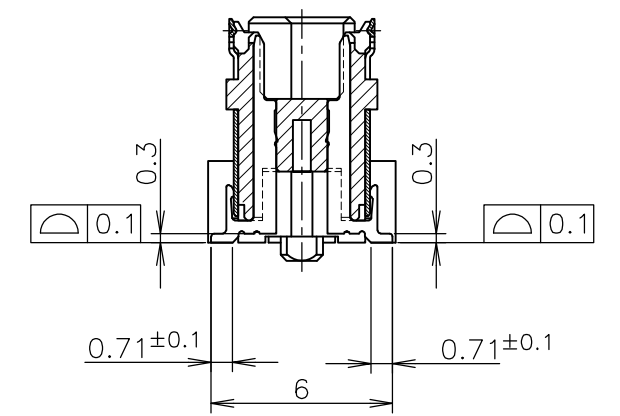
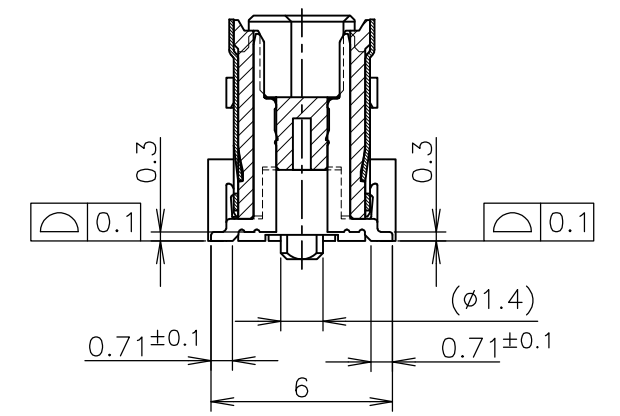
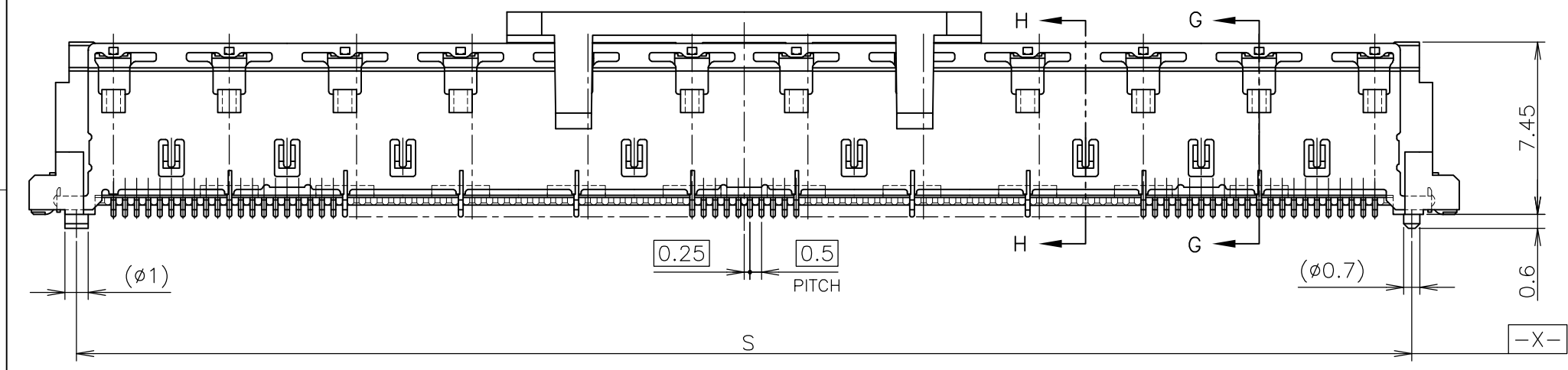
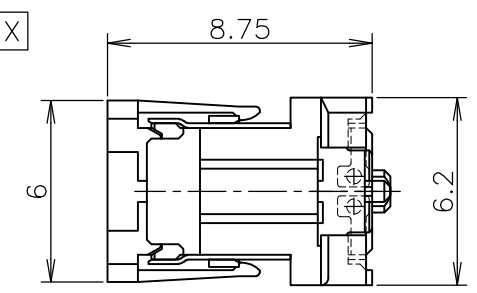
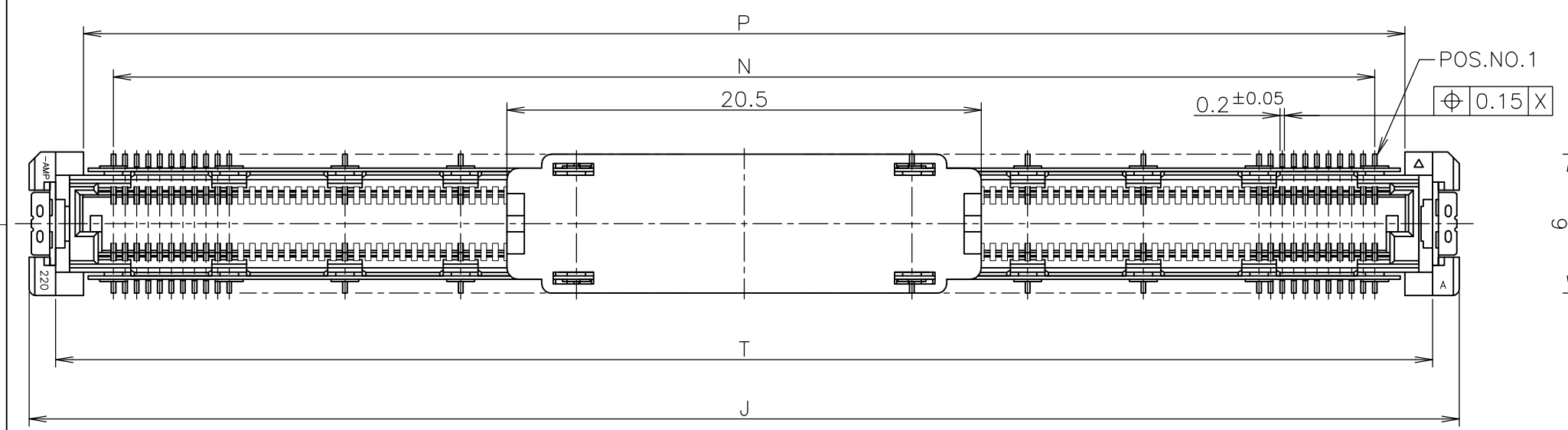
WEIGHT

SIZE A3 CAGE CODE 00779 DRAWING NO. G-2040713 RESTRICTED TO

CUSTOMER DRAWING SCALE 1:1 SHEET 1 OF 3 REV A

THIS DRAWING IS UNPUBLISHED. RELEASED FOR PUBLICATION MAR , 2008.
 © COPYRIGHT 2008 BY TYCO ELECTRONICS CORPORATION. ALL RIGHTS RESERVED.

LOC	DIST	REVISIONS					
J	/	P	LTR	DESCRIPTION	DATE	DWN	APVD
		-		SEE SHEET 1	-	-	-

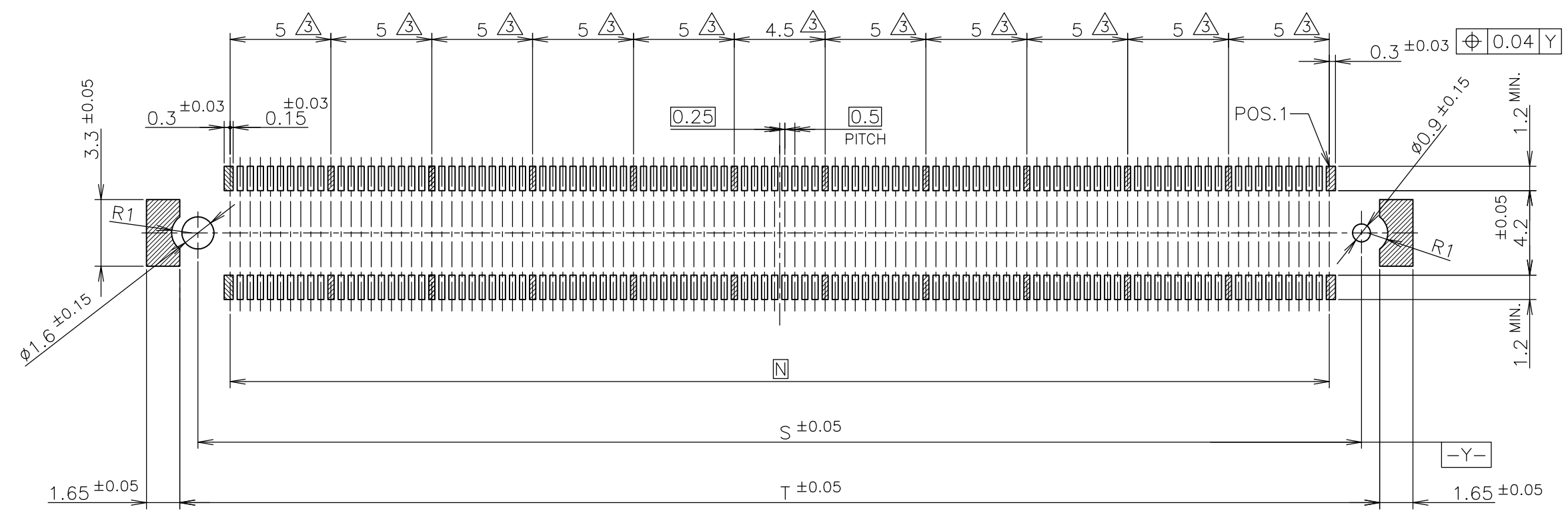


- ① MATERIAL; HOUSING: HIGH TEMP THERMO PLASTIC UL94V-0
CONTACT: COPPER ALLOY
SOLDER PEG: COPPER ALLOY
- ② FINISH ; SIGNAL CONTACT: UNDER PL Ni 0.0013mm MIN ALL OVER.
CONTACT AREA 0.00076mm MIN Au PL.
SOLDERING AREA 0.001mm MIN TIN PL.
GROUND CONTACT: UNDER PL Ni 0.0013mm MIN ALL OVER.
CONTACT AREA 0.00076mm MIN Au PL.
SOLDERING AREA 0.001mm MIN TIN PL.
SOLDER PEG: 0.001mm MIN TIN PL. OVER
0.0013mm MIN Ni PL ALL OVER.
- ③ THIS POSITION IS GROUND CIRCUIT.
- ④ THIS PRODUCT WAS COATED BY FLUX-PENETRATION-INHAIATING AGENT.

THIS DRAWING IS A CONTROLLED DOCUMENT.		DWN	Tyco Electronics Corporation Kawasaki, Japan	
DIMENSIONS: 単位: 耗 mm		CHK	NAME 名称	
TOLERANCES UNLESS OTHERWISE SPECIFIED: 一般公差		APVD	EMBOSS ASSY	
0 PLC ± 0.3		PRODUCT SPEC 製品規格	FH 0.5BTB CONNECTOR 220 POS	
1 PLC ± 0.3		APPLICATION SPEC 取付適用規格	PLUG 8H WITH GROUND PLATE AND CAP	
2 PLC ± 0.3		WEIGHT	SIZE	CAGE CODE
3 PLC ± 0.3			A3	00779
4 PLC ± 0.3				
ANGLES ± 3'			DRAWING NO 番号	RESTRICTED TO
MATERIAL 材料	FINISH 仕上		G-2040713	-
CUSTOMER DRAWING		SCALE 尺度	SHEET	REV
		4:1	2 OF 3	A

THIS DRAWING IS UNPUBLISHED. RELEASED FOR PUBLICATION MAR , 2008.
 © COPYRIGHT 2008 BY TYCO ELECTRONICS CORPORATION. ALL RIGHTS RESERVED.

LOC	DIST	REVISIONS		
J	/	P	LTR	DATE
		DESCRIPTION		DWN
		SEE SHEET 1		APVD



REFERENCE P.C. BOARD LAYOUT

THIS DRAWING IS A CONTROLLED DOCUMENT.		DWN	Tyco Electronics Corporation Kawasaki, Japan		
DIMENSIONS: 单位: 耗 mm		CHK	NAME 名称		
TOLERANCES UNLESS OTHERWISE SPECIFIED: 一般公差		APVD	EMBOSS ASSY FH 0.5BTB CONNECTOR 220 POS PLUG 8H WITH GROUND PLATE AND CAP		
0 PLC ± 0.3 1 PLC ± 0.3 2 PLC ± 0.3 3 PLC ± 0.3 4 PLC ± 0.3 ANGLES ± 3'		PRODUCT SPEC 製品規格	SIZE	CAGE CODE	DRAWING NO 番号
MATERIAL 材料		APPLICATION SPEC 取付適用規格	A3	00779	G-2040713
FINISH 仕上		WEIGHT	RESTRICTED TO		
		CUSTOMER DRAWING		SCALE 尺度 4:1	SHEET 3 OF 3
				REV A	