

Device connector, front mounting - SM-5EPWN8AA700 - 1620663

Please be informed that the data shown in this PDF Document is generated from our Online Catalog. Please find the complete data in the user's documentation. Our General Terms of Use for Downloads are valid (<http://phoenixcontact.com/download>)



Device connector, front mounting, angled rotatable, Screw locking, M40, Number of positions: 2+3+PE, Type of contact: Pin, Crimp connection, Axial O-ring, 4xØ4,4, shielded: yes, Flange dimensions: 40 mm x 40 mm

The figure shows the 8-pos. product version

Product Features

- Easy connection, thanks to infinitely adjustable cable outlet direction up to 310°
- Consistent EMC protection for reliable connection solutions in the industrial environment
- Crimping connection: vibration- and temperature-resistant assembly



Key Commercial Data

| | |
|----------------------|----------|
| Packing unit | 1 pc |
| Custom tariff number | 85366990 |
| Country of origin | Germany |

Technical data

General

| | |
|--|---|
| Note | Order information: Order crimp contacts 2 x Ø 2 mm, 4 x Ø 3.6 mm separately |
| Type of locking | Screw locking |
| Coding | N |
| Contact connection method | Crimp connection |
| Type of contacts | Pin |
| Number of positions | 6 |
| Contact diameter of power contacts | 3.6 mm |
| Nominal current per power contact at 25°C | 70 A |
| Contact diameter of signal contacts | 2 mm |
| Nominal current per signal contact at 25°C | 30 A |

Device connector, front mounting - SM-5EPWN8AA700 - 1620663

Technical data

General

| | |
|-----------------------------|--------|
| Pg housing screw connection | none |
| Mounting type | 4xØ4,4 |

Ambient conditions

| | |
|----------------------|-------------------|
| Ambient temperature | -40 °C ... 125 °C |
| Degree of protection | IP67 |

Specifications according to DIN EN 61984:2001

| | |
|--|--------|
| Installation height max. | 3000 m |
| Nominal / operating voltage of power contacts | 630 V |
| Rated surge voltage of power contacts | 6 kV |
| Overvoltage category of power contacts | III |
| Degree of pollution of power contacts | 3 |
| Nominal / operating voltage of signal contacts | 250 V |
| Rated surge voltage of signal contacts | 4 kV |
| Overvoltage category of signal contacts | III |
| Degree of pollution of signal contacts | 3 |

Classifications

eCl@ss

| | |
|------------|----------|
| eCl@ss 4.0 | 272607xx |
| eCl@ss 4.1 | 27260701 |
| eCl@ss 5.0 | 27143424 |
| eCl@ss 5.1 | 27143424 |
| eCl@ss 6.0 | 27143424 |
| eCl@ss 7.0 | 27440209 |
| eCl@ss 8.0 | 27440103 |
| eCl@ss 9.0 | 27440102 |

ETIM

| | |
|----------|----------|
| ETIM 3.0 | EC001121 |
| ETIM 4.0 | EC001121 |
| ETIM 5.0 | EC002061 |

UNSPSC

| | |
|---------------|----------|
| UNSPSC 6.01 | 43172015 |
| UNSPSC 7.0901 | 43201404 |
| UNSPSC 11 | 43172015 |

Device connector, front mounting - SM-5EPWN8AA700 - 1620663

Classifications

UNSPSC

| | |
|--------------|----------|
| UNSPSC 12.01 | 43201404 |
| UNSPSC 13.2 | 43201404 |

Approvals

Approvals

Approvals

EAC

Ex Approvals

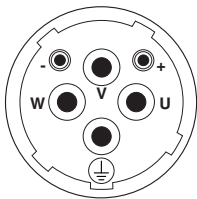
Approvals submitted

Approval details

| |
|-----|
| EAC |
|-----|

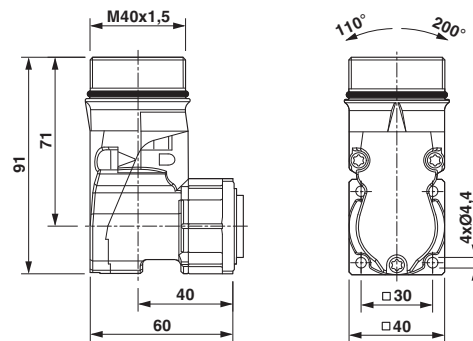
Drawings

Schematic diagram



Connector pin assignment

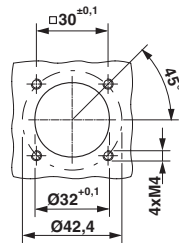
Dimensional drawing



Dimensional drawing

Device connector, front mounting - SM-5EPWN8AA700 - 1620663

Dimensional drawing



Installation dimensions

Phoenix Contact 2016 © - all rights reserved
<http://www.phoenixcontact.com>