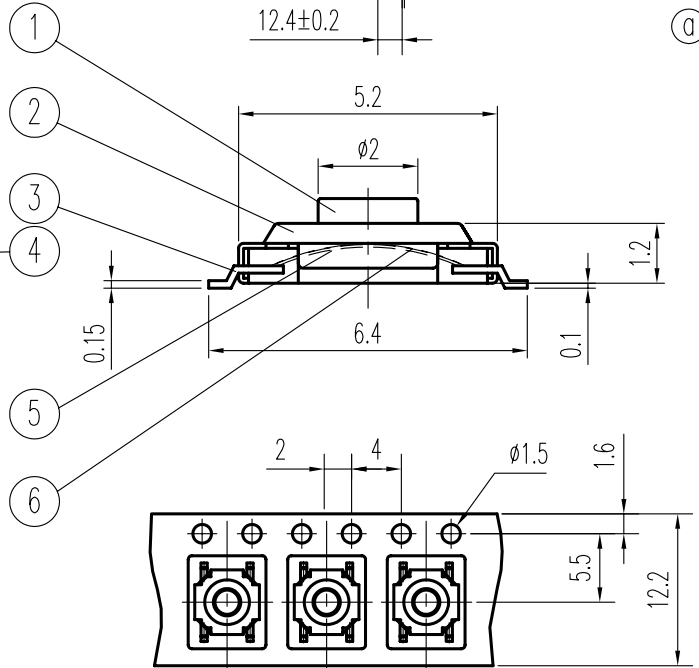
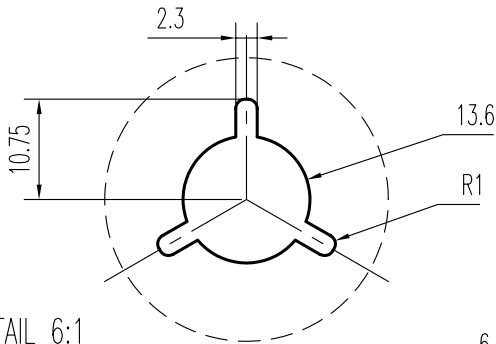
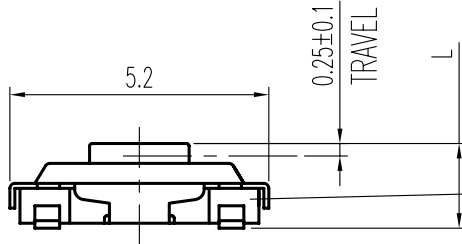
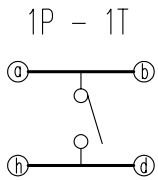


| 操作力<br>Operating force (gf) |         |
|-----------------------------|---------|
| 1                           | 180 ±50 |
| 2                           | 160 ±50 |
| 3                           | 250 ±50 |

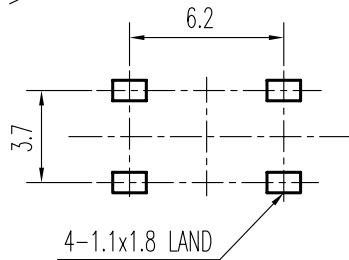
| L |          |
|---|----------|
| A | 1.6±0.05 |
| B | 1.5±0.05 |
| C | 1.7±0.1  |



P DETAIL 6:1



电路示意图 CIRCUIT SCHEMATIC



P.C.B. B安装位置尺寸 P.C.B LAND DIMENSION

\* Total 3000pcs. per reel.

规格 Specification:

|                                   |                              |
|-----------------------------------|------------------------------|
| 额定负荷 Ratings                      | DC 12V 50mA                  |
| 初期接触电阻 Initial Contact Resistance | 100mΩ Max.                   |
| 绝缘电阻 Insulation Resistance        | DC 100V 60±5 Sec. 100MΩ Min. |
| 抗电强度 Dielectric Voltage           | AC 250V(50~60HZ) 60±5Sec.    |
| 负荷寿命 Operating life with load     | 50,000次                      |

|      |                 |                  |        |            |
|------|-----------------|------------------|--------|------------|
| 6    | 防尘罩 DUST COVER  | POLYIMIDE TAPE ㉔ | 1      | YELLOW     |
| 5    | 弹片 SPRING PLATE | SUS              | 1      | Ag CLAD    |
| 4    | 胶壳 HOUSING      | PA               | 1      | BLACK C    |
| 3    | 端子 TERMINAL     | C2680R           | 4      | Ag PLATED  |
| 2    | 盖片 COVER PLATE  | SUS              | 1      | NATURAL    |
| 1    | 铜柄 KNOB         | C2680R           | 1      | NATURAL    |
| 序NO. | 零件 PART         | 材料 MATERIAL      | 数量 QTY | 备注 REMARKS |

|        |   |          |          |
|--------|---|----------|----------|
| A02    | RS-187R05A1-DS MT RT<br>→ RS-187R05 -DS MT RT 见 ㉔ | 刘红梅      | 06-04-06 |
|        | ADD: 操作力和柄长规格表栏 见 ㉔                               |          |          |
|        | KAPTON FILM → POLYIMIDE TAPE 见 ㉔                  |          |          |
| A01    |   | 谢柳恒      | 2005/6/4 |
| 标号 REV | 内容 DESCRIPTION                                    | 签名 SIGN. | 日期 DATE  |

DWG NO. ITEM2531

| TOLERANCES UNLESS OTHERWISE SPEC. |        | TITLE    | TACT SWITCH |          | ITEM NO    | RS-187R05 -DS MT RT ㉔ |             |
|-----------------------------------|--------|----------|-------------|----------|------------|-----------------------|-------------|
| UNDER 1                           | ± 0.10 | DRAWN    | 刘红梅         | 06-04-06 | VERSION    | A02                   | PAGE 1 OF 1 |
| 1 - 10                            | ± 0.30 | REVIEWED | 张念明         | 06-04-07 | SCALE      |                       | UNIT mm     |
| OVER 10                           | ± 0.50 | APPROVED | 林高全         | 06-04-07 | PROJECTION |                       |             |

**COMAX** ELECTRONICS (HUIZHOU) CO.,LTD.