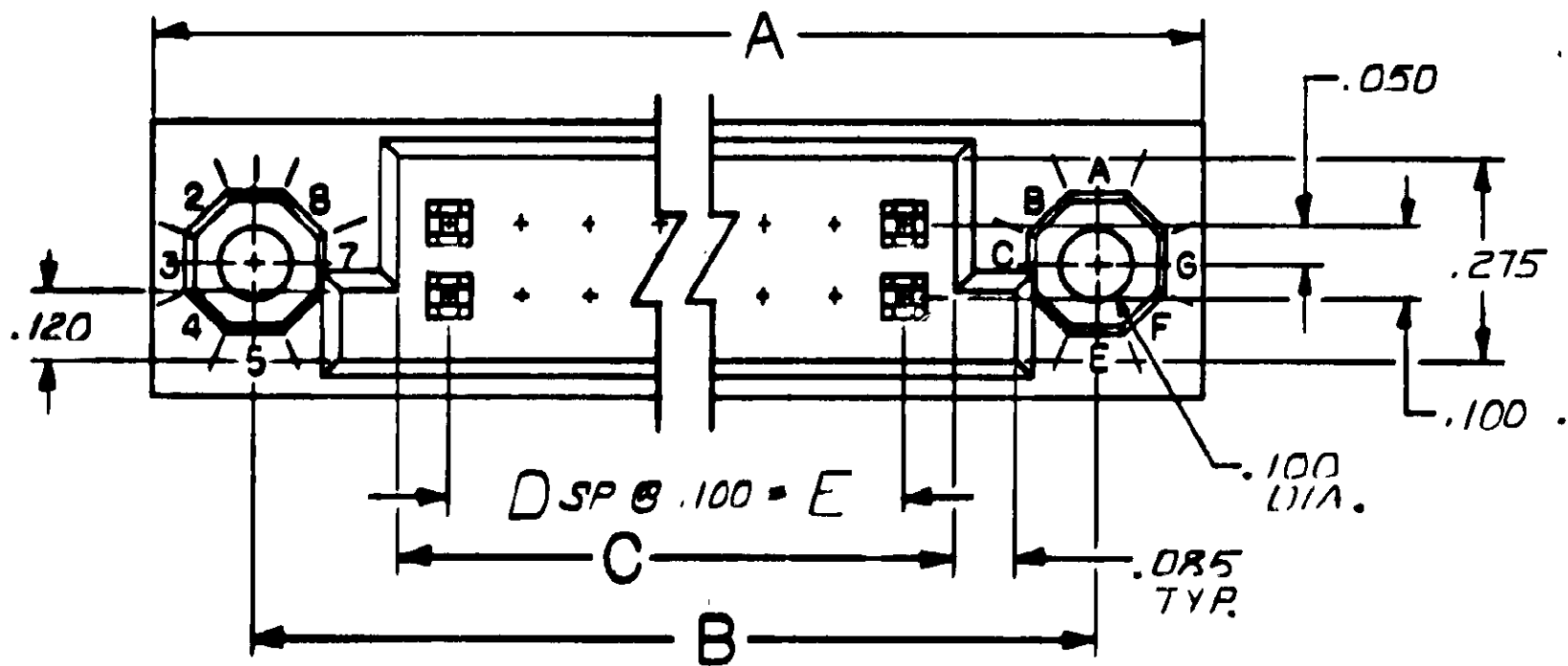
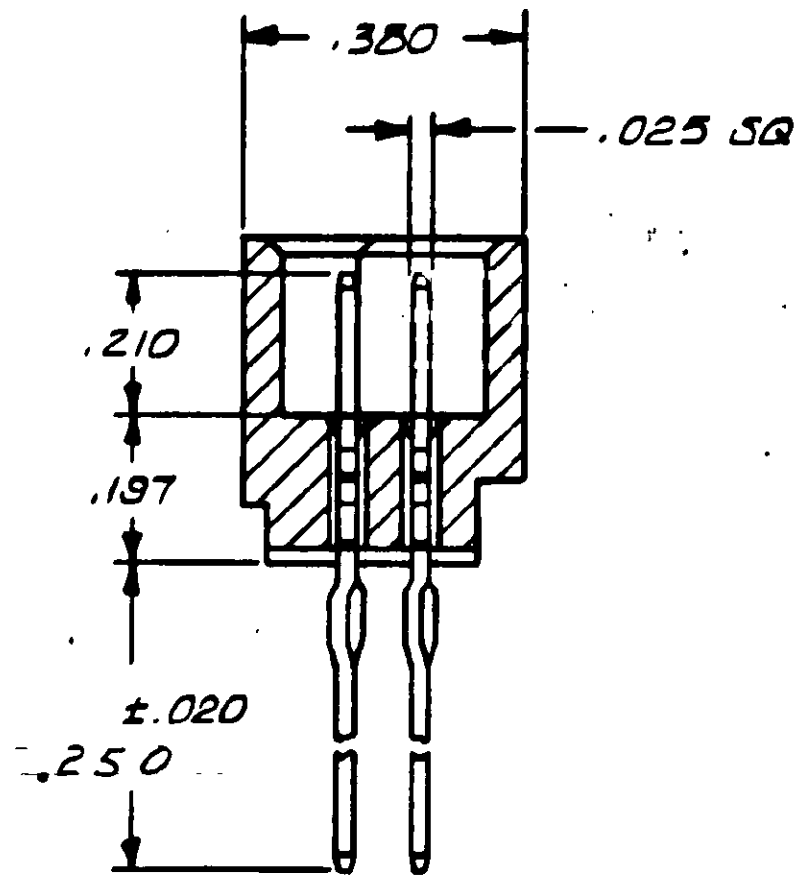
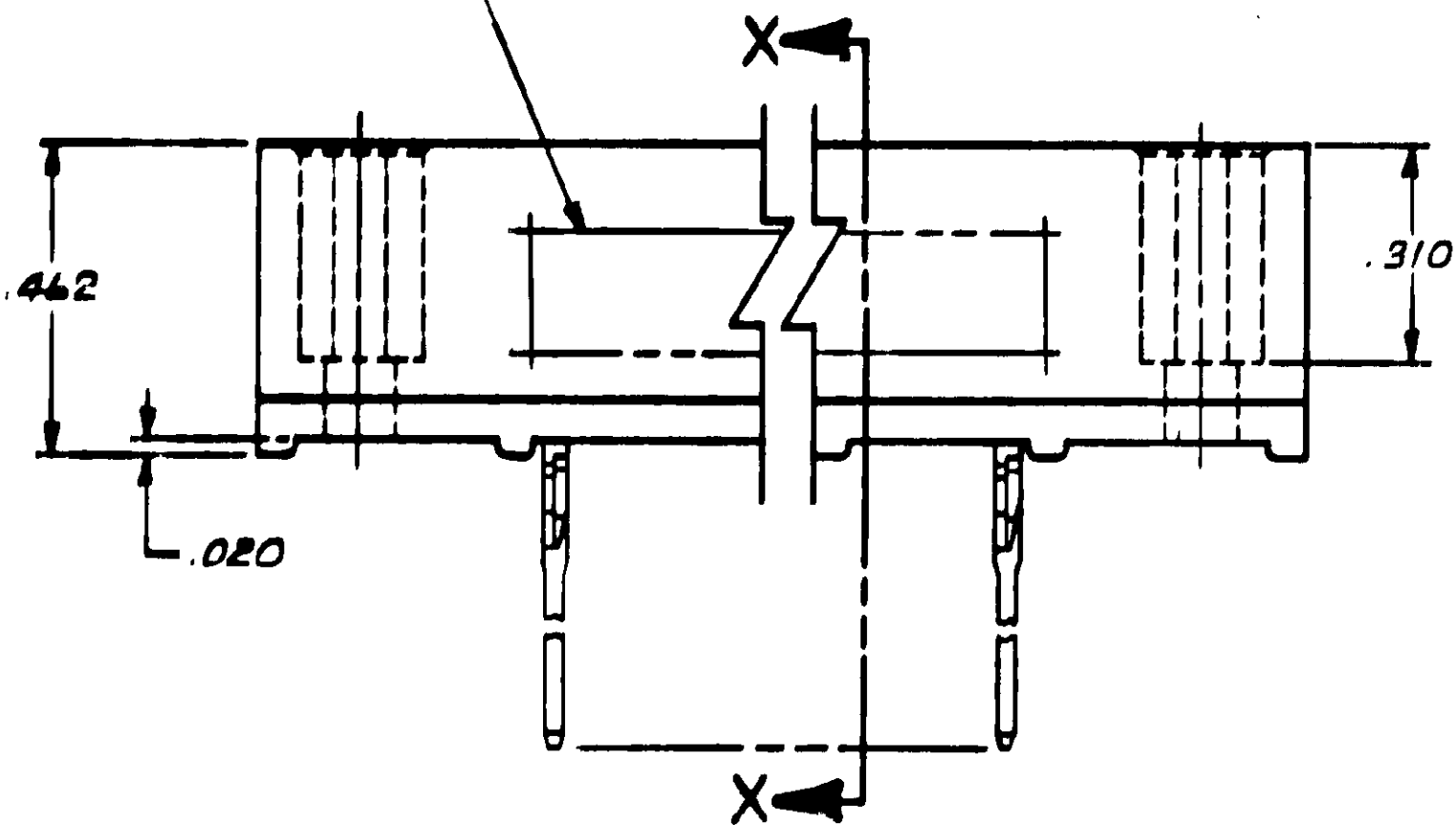


THIS DRAWING IS UNPUBLISHED. RELEASED FOR PUBLICATION. 19  
 © COPYRIGHT 19 BY AMP INCORPORATED, HARRISBURG, PA. ALL INTERNATIONAL RIGHTS RESERVED. AMP PRODUCTS MAY BE COVERED BY U.S. AND FOREIGN PATENTS AND/OR PATENTS PENDING.

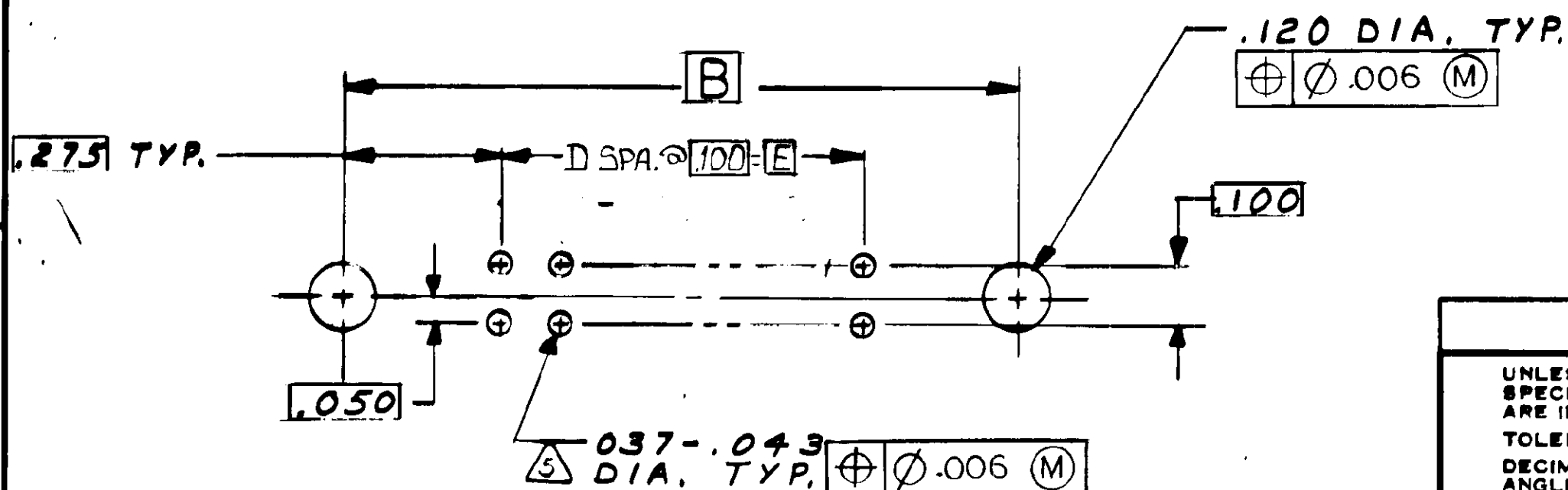
REVISIONS					
P	F	ZONE	DESCRIPTION	DATE	APPROVED
		0	RELEASED	M.S. 10-86	
		A	REF PER ECN AB-236B	JH 9-87	<i>ms</i>



AMP, PART NO. & DATE CODE



SECTION X-X



P.C. BOARD HOLE LAYOUT

3.400	34	3.550	3.950	4.250	70	534813-1
E	D	C	B	A	NO. POS/4	PART NO

UNLESS OTHERWISE SPECIFIED DIMENSIONS ARE IN INCHES TOLERANCES ON: DECIMALS ±.005 ANGLES 0° 30'	CONTRACT NO	AMP   AMP INCORPORATED Harrisburg, Pa. 17105	
	DR <i>A. Smith</i> 10-31-86	NAME PIN ASSY, HDI, 2-ROW 000015 GOLD, .250 LONG, ACTION PIN POST	
	CHK <i>Walter</i> 11-3-86	SIZE C	FSCM NO 00779
	APPD <i>Walter</i> 11-3-86	DRAWING NO 534813	SCALE
MATERIAL	APPD <i>Walter</i> 11-3-86	DRAFTING NO	
FINISH	DSGN APPD	SHEET 1 OF 1	
	OTHER APPD		