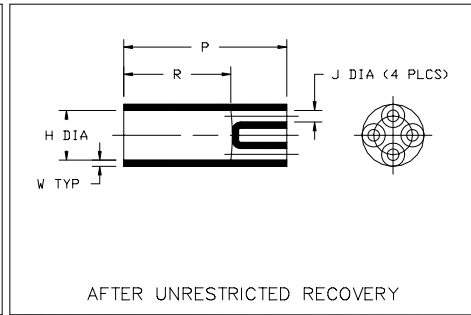
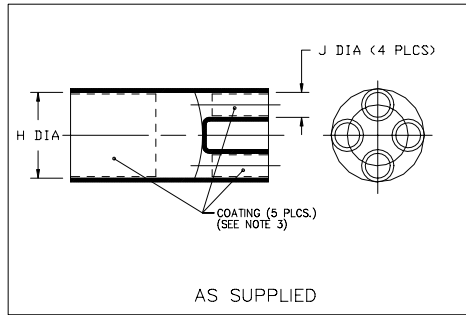


# Molded Parts Specification Control Drawing

Part Number : 502A8XX-X-G07  
Description : Transition, 1 to 4

## NOTES

- All dimensions are in  $\frac{\text{inches}}{\text{[millimeters]}}$
- Dimensions appearing in table are as follows:
  - a - As Supplied
  - b - After Unrestricted Recovery
- Coating is optional. As supplied dimensions appearing in table are for uncoated parts. When coating is added, entry diameters will be reduced by .06 max.



PART NUMBER	H		J		P ±10% b	R ±10% b	W ±20% b
	Min	Max	Min	Max			
	a	b	a	b			
502A812-X-G07	.90 [22,8]	.47 [11,9]	.28 [7,1]	.11 [2,8]	2.05 [52,1]	1.30 [33,0]	.05 [1,3]
502A823-X-G07	1.35 [34,3]	.71 [18,0]	.48 [12,2]	.17 [4,3]	2.57 [62,3]	1.57 [40,0]	.07 [1,7]
502A834-X-G07	2.14 [54,4]	1.09 [27,7]	.89 [22,6]	.28 [7,1]	3.22 [81,8]	1.97 [50,0]	.10 [2,5]

**If this document is printed it becomes uncontrolled.  
Check for the latest revision.**



TYCO ELECTRONICS  
307 CONSTITUTION DRIVE  
MENLO PARK, CALIFORNIA 94025

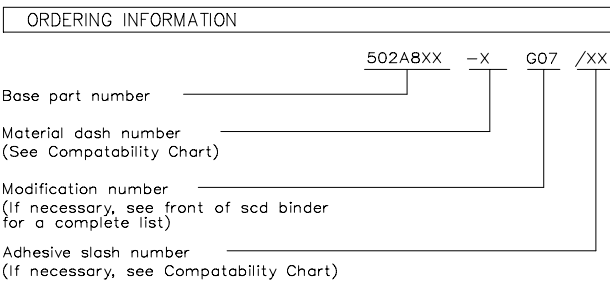
Revision : D  
Date : 7/27/01

Part Number : 502A8XX-X-G07  
Description : Transition, 1 to 4

# Molded Parts Specification Control Drawing

Part Number : 502A8XX-X-G07  
Description : Transition, 1 to 4

MATERIAL DASH NO.	MATERIAL DESCRIPTION	RT SPEC	COATING SLASH NO.	COATING S NO.	COATING DESCRIPTION
-3	Polyolefin, Semi-Rigid	RT-301	/42,/86,/180	S-1017,S-1048,S-1030	Adhesive
-4	Polyolefin, Flexible	RT-1304	/42,/86,/180	S-1017,S-1048,S-1030	Adhesive
-100	Polyolefin, Semi-flexible ZEROHAL™	RT-1323	/180	S-1030	Adhesive



THIS DRAWING IS SUBJECT TO CHANGE WITHOUT NOTICE; CONSULT YOUR  
NEAREST FIELD REPRESENTATIVE FOR CURRENT REVISION



TYCO ELECTRONICS  
307 CONSTITUTION DRIVE  
MENLO PARK, CALIFORNIA 94025

Revision : D  
Date : 7/27/01

Part Number : 502A8XX-X-G07  
Description : Transition, 1 to 4