

THIS DRAWING IS UNPUBLISHED.

RELEASED FOR PUBLICATION

ALL RIGHTS RESERVED.

© COPYRIGHT - Tyco Electronics Japan G.K.

LOC J

DIST -

REVISIONS

変更

DESCRIPTION

DATE

DWN

APVD

P LTR

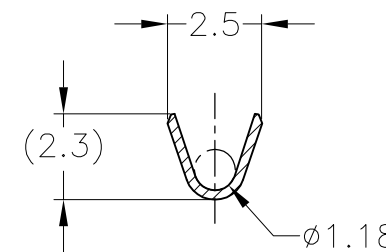
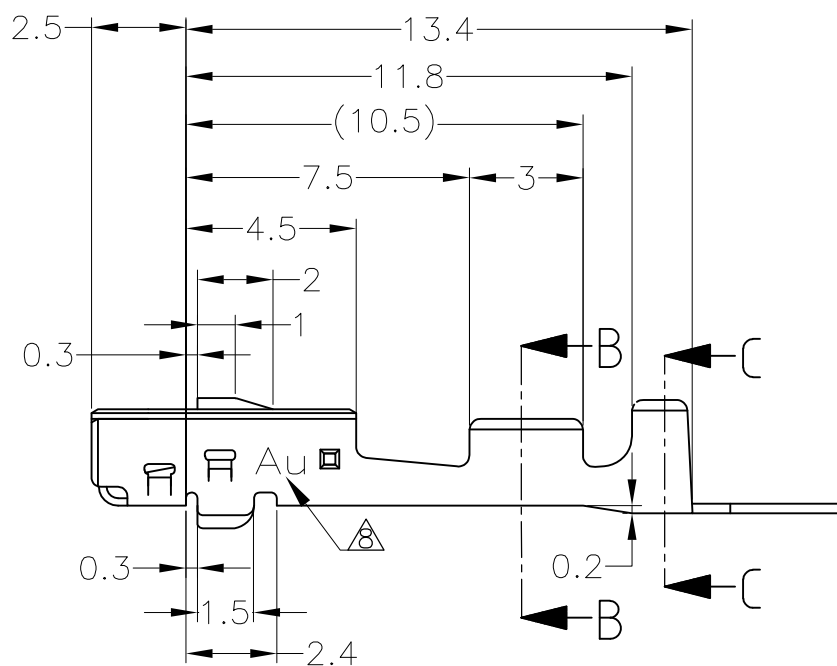
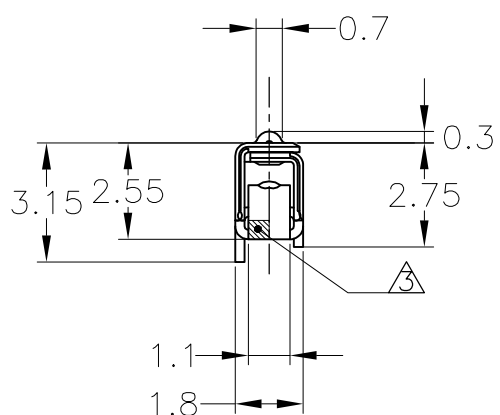
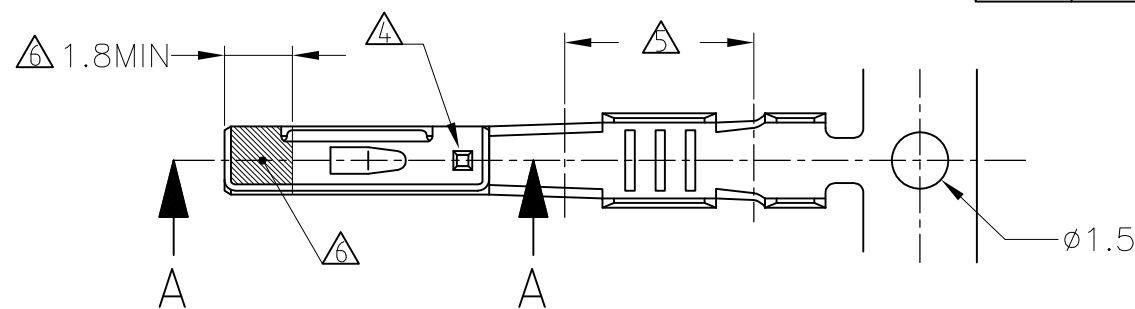
B REVISED

ECR-15-012614

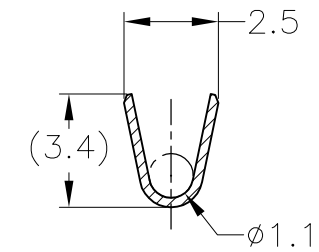
03SEP15

KK

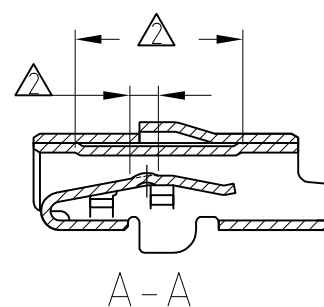
RK



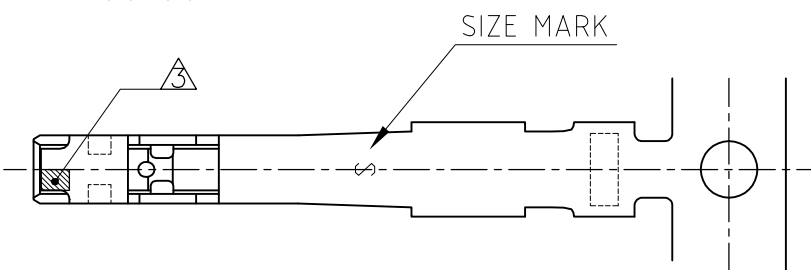
B-B



C-C



A-A



1. 適用電線 ; AVSS, CAVS, CAVUS 0.3~0.85mm²
 AVS 0.3~0.5mm²

但し、使用するコネクタによって適用電線が制限される場合がある

② 金めっき範囲 (接触面のみ)

③ 識別用金めっき

④ 金めっき識別用マーク (3カ所)

⑤ すずめっき範囲

⑥ 金めっき範囲 (1--2のみ)

7. 取付適用規格番号 ; 114-5217

⑧ 識別用刻印

1. APPLICABLE WIRE RANGE;
 AVSS, CAVS, CAVUS 0.3~0.85mm²
 AVS 0.3~0.5mm²

BUT, AN APPLIED CONNECTOR OFTEN MAKE
 THE APPLICABLE WIRE RANGE NARROW

② GOLD PLATING AREA (CONTACT SIDE ONLY)

③ GOLD PLATING FOR DISCERNMENT

④ GOLD PLATING DISCERNMENT MARK (3 PLACES)

⑤ TIN PLATING AREA

⑥ GOLD PLATING AREA (1--2 ONLY)

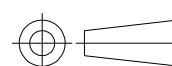
7. APPLICATION SPEC NO; 114-5217

⑧ MARKING FOR IDENTIFICATION

TOLERANCES UNLESS OTHERWISE SPECIFIED: 一般公差	
10 _±	: ±0.2
30 _±	> 10 : ±0.25
100 _±	> 30 : ±0.3
ANGLE : ±3°	

THIS DRAWING IS A CONTROLLED DOCUMENT.

DIMENSIONS: 単位: 耗 mm



MATERIAL 材料 Cu ALLOY

TOLERANCES UNLESS OTHERWISE SPECIFIED: 一般公差

0 PLC	±-
1 PLC	±-
2 PLC	±-
3 PLC	±-
4 PLC	±-
ANGLES	±-

FINISH 仕上 SEE TABLE

DWN M.SUGAWARA 18MAY06

CHK T.SHINOHARA 18MAY06

APVD K.BETSUI 18MAY06

PRODUCT SPEC 製品規格

APPLICATION SPEC 取付適用規格

114-5217

WEIGHT 0.27g

CUSTOMER DRAWING

SELECTIVE GOLD/TIN ②③⑤⑥⑧	1-316837-2
SELECTIVE GOLD/TIN ②③⑤⑧	316837-2
SEE DRAWING 316837-1	316837-1
FINISH	PART NUMBER

STE TE Connectivity

NAME 名称

040 III UNSEALED CONTACT RECEPTACLE (S) Au

SIZE A3	CAGE CODE 00779	DRAWING NO 番号 C-316837	RESTRICTED TO -
---------	-----------------	------------------------	-----------------

SCALE 尺度 5:1 SHEET 1 OF 1 REV B