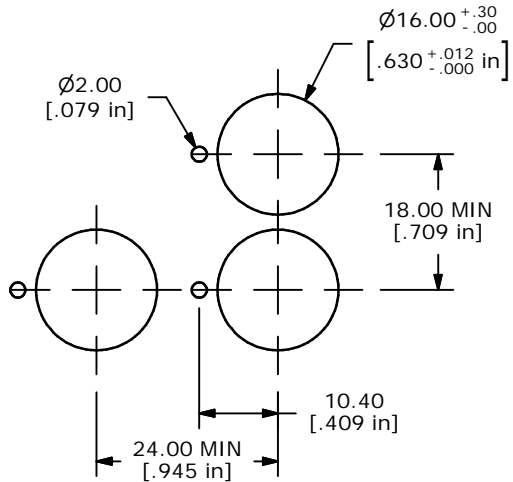
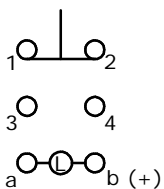
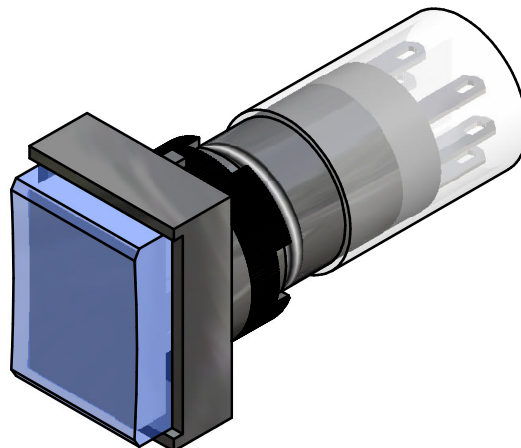


PARTS LIST

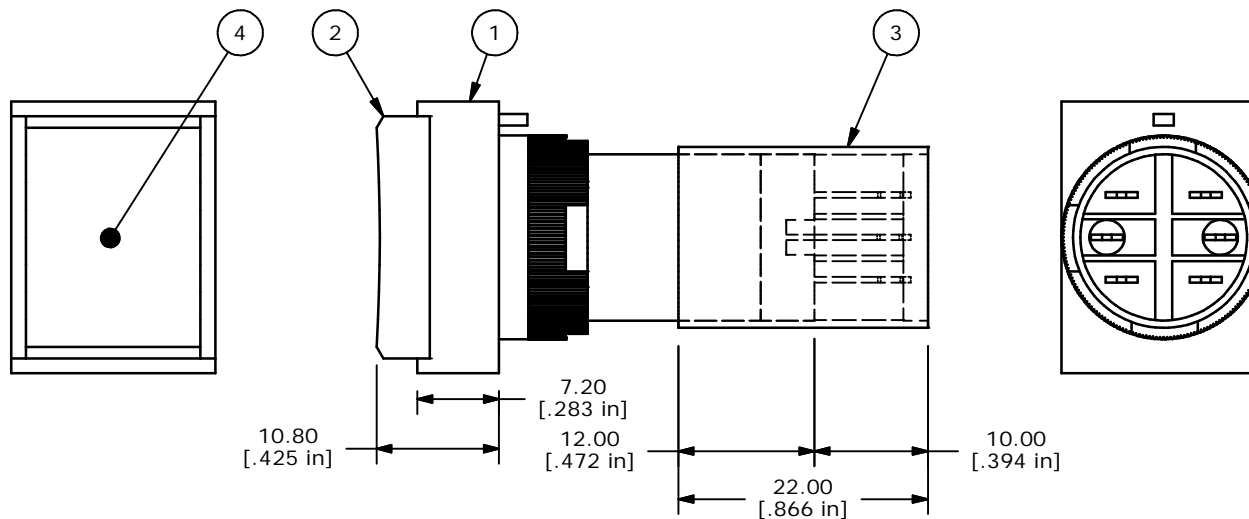
ITEM	QTY	PART NUMBER	DESCRIPTION
1	1	F040012	P16OAT11
2	1	F052201	50-002-01 TRANSPARENT CONCAVE BLUE
3	1	F051601	P16 PLASTIC TERMINAL PROTECTOR
4	1	F050424	50-004-24 24VDC LED LAMP



PANEL MOUNTING



SPDT CONTACT CONFIGURATION



- NOTE:
1. ALL DIMENSIONS IN MM [INCH]
  2. GENERAL TOLERANCE: X.X=±0.4  
X.XX=±0.25
  3. TERMINAL NUMBERS FOR REF ONLY
  4. MECHANICAL LIFE: 2,000,000 OPERATIONS
  5. INSULATION RESISTANCE: 1,000 MILLI-OHM MIN.
  6. OPERATING TEMP.: -25°C to 55°C
  - ▲ 7. LAMP VOLTAGE: 24VDC LED LAMP
  8. ▲ DENOTES CRITICAL PARAMETER.



A	14796	RELEASED FOR PRODUCTION	3/28/05	AR
REV	PCR NO	DESCRIPTION	DATE	BY

TITLE P16OAT11KYELBLU				
SCALE	DATE	DR	DWG	REV
2:1	3/29/05	AR	XF0636P	A

THE INFORMATION CONTAINED IN THIS DOCUMENT IS PROPRIETARY TO E-SWITCH AND IS NOT TO BE COPIED OR TRANSFERRED