

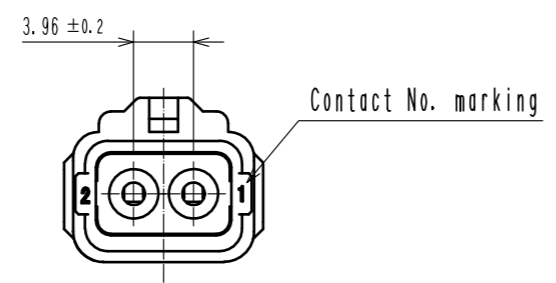
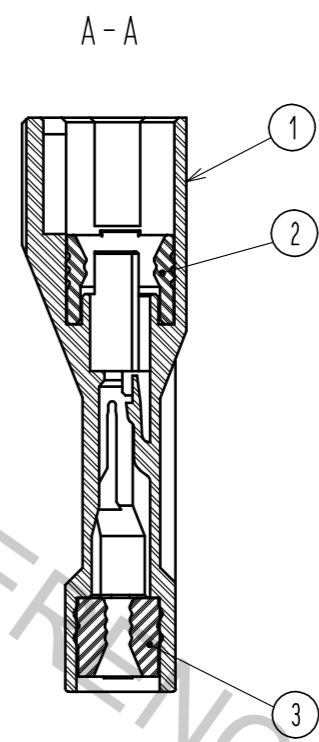
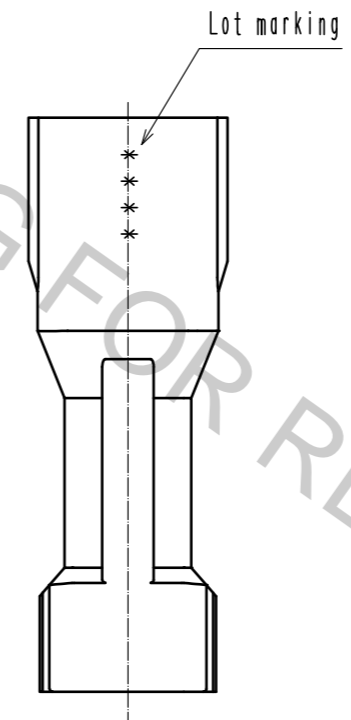
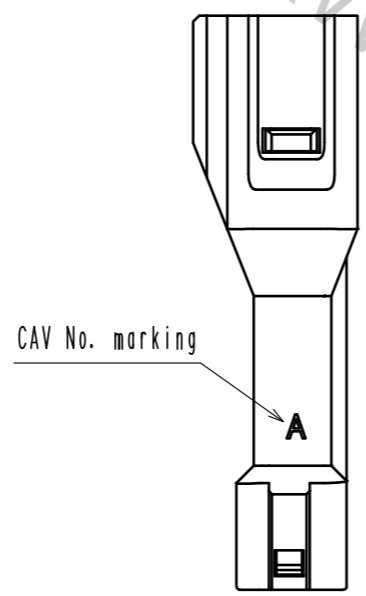
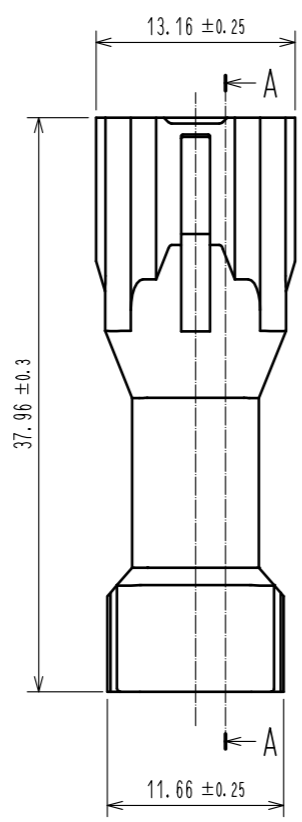
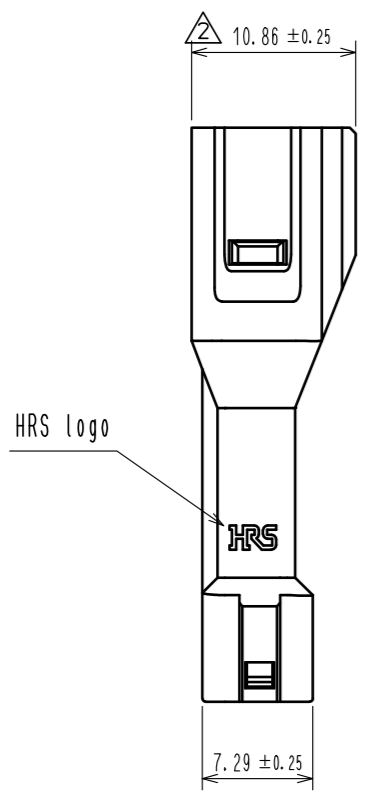
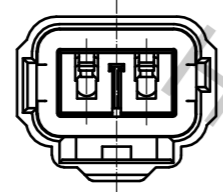
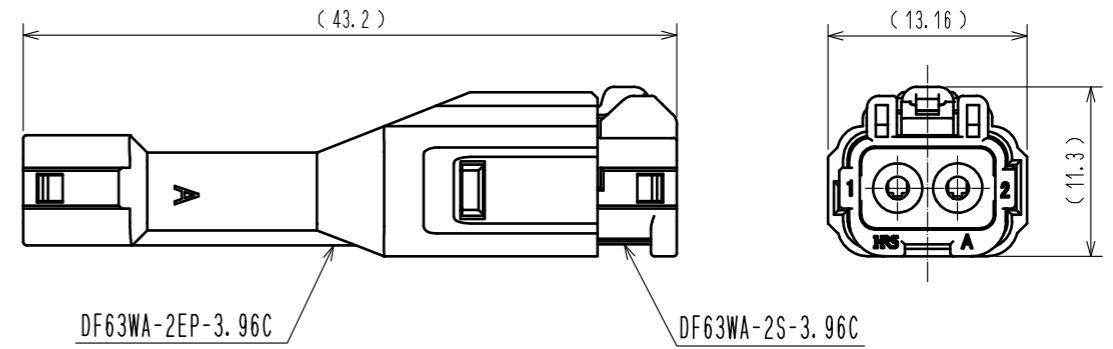
May.1.2017 Copyright 2017 HIROSE ELECTRIC CO., LTD. All Rights Reserved.

1 2 3 4 5 6 7 8

A  
B  
C  
D  
E  
F

A  
B  
C  
D  
E  
F

Mated figure



- Notes.
1. 100 pcs. / pack
  2. Applicable cable dia :  $\phi 1.7 \sim \phi 2.4$ mm
  3. The dimensions in parenthesis are reference dimensions.
  4. Always refer to the manuals below for operation of this product.  
For cable assembly / ETAD-H0814

1	PBT	UL94V-0 (Black)	3	Silicone rubber	Green		
			2	Silicone rubber	Green		
NO.	MATERIAL	FINISH . REMARKS	NO.	MATERIAL	FINISH . REMARKS		
UNITS mm		SCALE 2 : 1	COUNT 1	DESCRIPTION OF REVISIONS DIS-H-00000968	DESIGNED TO. HORII	CHECKED HK. UMEHARA	DATE 15. 10. 07
<b>HRS</b> HIROSE ELECTRIC CO., LTD.		APPROVED : HK. UMEHARA	15. 03. 10	DRAWING NO. EDC-359251-00-00			
		CHECKED : HK. UMEHARA	15. 03. 10	PART NO. DF63WA-2EP-3.96C			
		DESIGNED : TO. HORII	15. 03. 10	CODE NO. CL680-0609-0-00			
		DRAWN : TO. HORII	15. 03. 10			1/1	